



efio!121A

SERVICE MANUAL

Table of Contents

efio!121A BOM.....	1
efio!121A Sub. Assembly S.O.P.....	9
efio!121A 12.1" LCD Instruction manual.....	24
efio!121A System Setup Instruction manual.....	34
efio!121A (Complete set) Instruction Manual.....	55
efio!121A (CARRYING BAG) Packaging Instruction Manual.....	67
efio!121A 2-IN-1 Packing S.O.P.....	73
efio!121A Disassembly.....	82

efio!121A Notebook BOM
(Internal code: D212A)

LEVELS	ITEM NUMBER	DESCRIPTION	QTY
123456789	M-D212A	D212A ID2 MODEL	
PCBA			
.....5	82-873030-00	D212A-PCB ASS'Y-VI-K7-REV:0-W/WI	1
....4	80-690000-00D	P22AJ-PCB ASS'Y-VI-USB-REV:D	1
SYSTEM CABINET			
.....5	27-300051-20	N222S1-GASKET TAPE-D4877A	1
.....5	27-330000-00	ALL MODEL-THERMAL PAD FOR HEATSI	1
.....5	28-200022-11	2nd FAN-L=80mm-W/SPONGE	1
.....5	29-001638-02	N222S1-RJ11 JACK HARNESS-SH638B	1
.....5	29-015340-00	P22AJ-SB-USB FPC-CA3400	1
.....5	40-002311-00	N222S1-HARNESS COVER-C33210	1
.....5	40-003510-11	P22AJ-HEATSINK MODULE W/FAN-SCRE	1
.....5	41-721520-03	SCREW ISOT-M2X3L-SELF-LOCKING jí	4
.....5	41-721526-05	SCREW ISOT-M2.6X5L H=0.8mm-NYLOK	2
.....5	41-850520-06	SCREW ISOP-M2X6L-SELF-LOCKING-B3	17
.....5	50-022150-70	P22AJ-RAM DOOR-#8028-C3323E	1
.....5	50-023421-00	D212A-MYLAR FOR RAM DOOR-BLACK-I	1
.....5	50-035141-30	D212A-HINGE COVER R-#8028-E4343D	1
.....5	50-035142-30	D212A-HINGE COVER L-#8028-E4342E	1
.....5	50-963001-20	P22AJ-CPU DOOR ASS'Y-#8028-E1081	1
.....5	50-963601-00	D212A-UPPER COVER ASS'Y-#8028/85	1
.....5	51-350094-01	CONDUCTIVE SPONGE 5X2X1000mm-KL1	0.03
.....5	51-350094-02	CONDUCTIVE SPONGE 5X3.5X1000mm-K	0.08
.....5	51-350094-03	CONDUCTIVE SPONGE 5X5.5X1000mm-K	0.08
.....5	51-350094-10	CONDUCTIVE SPONGE 5X0.5X1000mm-K	0.085
.....5	51-350094-15	P88S-CONDUCTIVE SPONGE 10X0.5X10	0.215
.....5	51-350094-16	P93S-CONDUCTIOVE SPONGE 10X2X100	0.03

efio!121A Notebook BOM
(Internal code: D212A)

LEVELS	ITEM NUMBER	DESCRIPTION	QTY
123456789	M-D212A	D212A ID2 MODEL	
.....5	51-350100-00	P88TEM-SPONGE 5X1X1000mm	0.02
.....5	52-000000-20	P22AJ-RUBBER FOOT-PANTONE 428C-D	2
.....5	52-002020-00	N222S1-HDD RUBBER-D46930	1
.....5	52-002021-00	N222S1-SCREW RUBBER-D48290	2
.....5	52-002022-20	P22AJ-LOWER CD-ROM RUBBER-PANTON	1
.....5	52-002030-00	N222S8P-SUPPORT RUBBER-20X20X5.5	1
.....5	52-002080-00	P22AJ-RUBBER FOR USB-4X2mm,T=2mm	1
LOWER COVER KIT			
.....6	40-002420-04	P22AU-LOWER COVER #8028M-B1277D	1
.....6	40-006040-00	N222S1-BATTERY HOOK-B3377A	1
.....6	40-011951-00	N222S1-BATTERY LATCH SPRING-D479	1
.....6	41-420520-03	SCREW BPS/W (j5.5)-M2X3L-NYLOK-	2
.....6	41-690022-48	WASHER-OD=4.8 IO=2.2 T=0.5-D4883	2
.....6	50-023310-00	N222S8L-MYLAR-10X4X0.2T-E43290-S	1
.....6	50-023335-00	P22AJ-MYLAR FOR RJ11 LEFT SIDE-t	1
.....6	50-043000-30	P22AJ-BATTERY LATCH-#8028-D4540E	1
.....6	51-036041-00	N222S1-HDD SPONGE FOR LOWER UP S	1
.....6	51-036042-00	N222S1-HDD SPONGE FOR LOWER DOWN	1
.....6	52-000000-20	P22AJ-RUBBER FOOT-PANTONE 428C-D	2
PALM REST KIT			
.....6	22-300036-00	SPK (R)(L) W/MICROPHONE-C33790-S	1
.....6	29-016338-00	P22AJ-FFC (P=1.0) FOR TOUCHPAD-C	1
.....6	40-007060-00	N222S1-CU-FOIL FOR SPEAKER BRACK	1
.....6	40-030530-02	N222S8P-TOUCH PAD BRACKET-B2311C	1
.....6	40-030696-00	N222S1-SPEAKER BRACKET-D46900	2

efio!121A Notebook BOM
(Internal code: D212A)

LEVELS	ITEM NUMBER	DESCRIPTION	QTY
123456789	M-D212A	D212A ID2 MODEL	
.....6	41-721520-03	SCREW ISOT-M2X3L-SELF-LOCKING jí	5
.....6	50-023320-00	N222S8P-MYLAR 38X10X0.2T-E43530-	1
.....6	50-023335-20	P22AJ-MYLAR FOR SPEAKER BRACKET-	1
.....6	50-040167-00	P78-MICRO PHONE RUBBER-B4549A	1
.....6	50-963601-10	D212A-PALM REST ASS'Y #8028-W/O WLAN	1
.....6	50-963601-20	D212A-PALM REST ASS'Y W/WLAN-#8027	1
.....6	51-350094-01	CONDUCTIVE SPONGE 5X2X1000mm-KL1	0.02
.....6	73-080052-00	TOUCH PAD-FOR SOTEC-SYNAPTICS-TM	1
UPPER COVER KIT-W/Z ANTENNA			
.....6	22-600060-11	PIFA ANTENNA-C3530A-P22T	1
.....6	27-300021-00	A2121-DOUBLE ADHESIVE (R)-WX4mm	1
.....6	50-963601-00	D212A-UPPER COVER ASS'Y-#8028/85	1
24X CDROM ASS'Y FOR TEAC			
....4	50-963001-70	P22AJ-#8028 TEAC CD-ROM BEZEL AS	1
24X PANASONIC COMBO ASS'Y #8028			
....4	50-963001-10	P22AJ-PANASONIC COMBO BEZEL ASS'	1
24X PANASONIC COMBO ASS'Y #8735			
....4	50-963601-D0	D212A-PANASONIC COMBO BEZEL ASS'	1
8X DVD-ROM ASS'Y-FOR QSI			
.....5	50-963401-40	P22T-QUANTA DVD-ROM BEZEL ASS'Y-	1
HDD KIT			

efio!121A Notebook BOM
(Internal code: D212A)

LEVELS	ITEM NUMBER	DESCRIPTION	QTY
123456789	M-D212A	D212A ID2 MODEL	
...3	40-008140-00	D212A-AL FOIL FOR HDD BRACKET-E4	2
...3	60-010001-00	PE BAG 70X120mm	1
....4	40-030691-00	N222S1-HDD BRACKET-C3421B	1
....4	41-870130-04	SCREW ISOF-M3X4L-B3519K	4
US KB			
...3	71-700185-01	K/B-85 KEY-US-N222S8-JME	1
KR KB			
...3	71-710104-00	K/B-85 KEY-KR-N222S8PII-NEW MICR	1
SWISS KB			
...3	71-710106-00	K/B-85 KEY-SW-36599#-N222S8PII-N	1
GR KB			
...3	71-710107-00	K/B-85 KEY-GR-GRAY-N222S8SA-JME-	1
FR KB			
...3	71-710105-00	K/B-85 KEY-FR-N222S8SA-JME-FOR S	1
UK KB			
...3	71-710108-00	K/B-85 KEY-UK-N222S8SA-JME-FOR S	1
TW KB			
...3	71-710102-00	K/B-85 KEY-TW-N222S8SA-JME-FOR S	1
TL KB			

efio!121A Notebook BOM
(Internal code: D212A)

LEVELS	ITEM NUMBER	DESCRIPTION	QTY
123456789	M-D212A	D212A ID2 MODEL	
...3	71-710128-00	K/B-85 KEY-TL-N222S8L/P-JME-FOR	1
RU KB			
...3	71-810124-00	K/B-85KEYS-RU-#36599-D212A-W/NEW	1
JP KB			
...3	71-700185-17	K/B-85 KEY-JP-N222S8-JME	1
DISPLAY ASS'Y			
...3	29-001640-01	N222S1-HARNESS FOR HSD 12.1" LCD	1
...3	40-008122-00	P22AJ-AL FOIL FOR LCD COVER-B233	1
...3	40-011701-00	N222S8-LCD HOOK SPRING-D49610	1
...3	40-015020-00	N222S8P-DISPLAY HINGE-C3663A-SOT	2
...3	40-030531-00	N222S8P-LCD BRACKET R-C36600-SOT	1
...3	40-030532-00	N222S8P-LCD BRACKET L-C36610-SOT	1
...3	41-420520-03	SCREW BPS/W (j5.5)-M2X3L-NYLOK-	2
...3	41-720526-04	SCREW ISOT-M2.6X4L H=0.8mm-NYLOK	2
...3	41-721026-06	SCREW ISOT-M2.6X6L jD4.5/H0.8mm	2
...3	41-721520-03	SCREW ISOT-M2X3L-SELF-LOCKING j	6
...3	41-721520-06	SCREW ISOT-M2X6L-NI+NYLOK #1 I	2
...3	50-020385-20	N222S8L-RUBBER PAD-B4405N-SOTEC	1
...3	50-021268-20	N222S8L-RUBBER PAD-C4328D-SOTEC	1
...3	50-023324-00	N222S8P-MYLAR FOR LCD HARNESS-E4	1
...3	50-023420-00	D212A-MYLAR FOR LCD HOOK-BLACK-E	1
...3	50-033071-00	D212A-LCD COVER ID2-#8027-B12860	1
...3	50-212960-02	N222S8P-MICA FOR LCD COVER-C3665	1
...3	50-963601-C0	D212A-LCD HOOK ASS'Y-#8801	1

efio!121A Notebook BOM
(Internal code: D212A)

LEVELS	ITEM NUMBER	DESCRIPTION	QTY
---------------	--------------------	--------------------	------------

	123456789 M-D212A	D212A ID2 MODEL	
...3	52-002350-10	D212A-HOOK SUPPORT RUBBER-PANTON	1
...3	76-030105-00	INVERTER-5V-5W-10X123mm-FOR 12.1	1

5 IN 1 PACKING FOR US

...3	60-010026-00	PE BAG 200X150 mm A4382	1
...3	60-010200-00	BIG PE BAG	0.017
...3	60-012001-00	PE BAG W/ARTWORK 360*380	1
...3	60-012002-00	ANTI-STATIC BAG 110*290	1
...3	61-000845-00	PET OPC 1206 STRAC	0
...3	61-007051-00	N222S1-5IN1 PAPER CUSHION FOR BA	0.2
...3	61-012184-00	N222S1-5IN1 PAPER BOARD FOR BATT	0.2
...3	61-012193-00	N222S1-5 IN 1 PAPER TUBE-D48980	0.4
...3	61-015060-00	N222S1-PROTECT PAPER FOR K/B-D48	1
...3	61-050083-10	N222S1-5IN1 CARTON-A4873B	0.2
...3	61-960601-A0	N222S1-5IN1 LOWER PAPER CUSHION	0.2
...3	61-960601-B0	N222S1-5IN1 UPPER PAPER CUSHION	0.2
...3	63-001132-00	PACKING LABEL 100X150mm-C4219A	0.2

GENERIC 2 IN 1 PACKING

...3	29-130244-00	P93SE-MODEM CABLE-CA244	1
...3	60-010001-00	PE BAG 70X120mm	1
...3	60-010070-00	PLASTIC BAG-35cmX25cm-FOR CD/MAN	1
...3	62-030273-00	USER'S MANUAL-DE/EN-R:00-D212A	1
...3	70-140629-01	UTILITY CD-R1.01-D212A	1
...3	76-010562-00	ADAPTER-20V-60W-LSE9802A2060-SLS	1
....4	50-020002-00	PLASTIC HANDLE-A3280	1
....4	60-005040-00	R14SE-CARRY BAG FOR GENERIC	1

efio!121A Notebook BOM
(Internal code: D212A)

LEVELS	ITEM NUMBER	DESCRIPTION	QTY
123456789	M-D212A	D212A ID2 MODEL	
....4	60-010003-00	PE BAG 220X280mm	1
....4	60-010026-00	PE BAG 200X150 mm A4382	1
....4	60-010067-00	PE-BAG-400X300mm-B4752A-P79S-PE	1
....4	60-010200-00	BIG PE BAG	0.041
....4	61-007050-00	N222S1-PAPER CUSHION-C34160-FOR	1
....4	61-012180-00	N222S1-PAPER TUBE-C3418A-FOR BAT	1
....4	61-012195-00	N222S1-PAPER SHEET-C34610-FOR MO	1
....4	61-015061-00	N222S1-PROTECT PAPER FOR SYSTEM-	1
....4	61-040064-40	A2010-COLOR BOX W/CARRY BAG-A245	1
....4	61-050094-01	P88TE-CARTON FOR W/CARRY BAG-A24	0.5
....4	61-960601-80	N222S1-2IN1 L PAPER CUSHION ASS'	1
....4	61-960601-90	N222S1-2IN1 R PAPER CUSHION ASS'	1
PARTS KIT FOR GERERIC-W/O LOGO			
...3	50-023425-00	D212A PROTECTIVE MYLAR FOR LCD C	1
...3	50-034080-00	D212A-LCD PANEL W/O LOGO-#8126-B	1
...3	63-040100-Q0	D212A-FCC LABEL SYSTEM-C3435-FOR	1
PARTS KIT FOR T/H			
...3	40-006120-00	D212A-LCD FRONT PLATE ID2-FOR TW	1
...3	50-034080-10	D212A-LCD PANEL FOR TH-#8126-B12	1
...3	63-040102-R5	D212A-MODEL NAME EFIO! 122A LABE	1
56K MODEM ASS'Y			
...3	41-721520-03	SCREW ISOT-M2X3L-SELF-LOCKING jí	2
...3	63-250190-00	KEY PARTS BARCODE LABEL-KL18260	1
...3	76-060007-00	MDC MODEM CARD-SMART LINK-MDC56S	1

efio!121A Notebook BOM
(Internal code: D212A)

LEVELS	ITEM NUMBER	DESCRIPTION	QTY
	123456789 M-D212A	D212A ID2 MODEL	
POWER CORD FOR JP (2-PIN)			
..2	29-020151-10	P10-POWER CORD-JP 2P-BLACK-SP-12	1
POWER CORD FOR US, TW, Phillippine, Korea, Canada			
..2	29-020181-10	N222S1-POWER CORD FOR US/PL/C-SP	1
POWER CORD FOR German, French, Holland, Austrian, Swedish, Norwegian, Belgium			
..2	29-020183-11	ALL MODEL-POWER CORD FOR GR/FR/H	1
POWER CORD FOR KR			
..2	29-020183-20	ALL MODEL-POWER CORD FOR KR-SP-0	1
POWER CORD FOR England, Singapore, Hong Kong			
..2	29-020185-20	9000,5000,2000,1000,N222S1-POWER	1
POWER CORD FOR ML			
..2	29-020186-10	N222S1,N222S8-POWER CORD FOR CHI	1
WIRELESS			
...3	52-003091-00	P22T-RUBBER FOR WIRELESS-E45500	2
...3	76-070005-00	WLAN MODULE MINI USB W/HARNESS-T	1



Tw inhead International Corp.

efio!121A Sub Ass'y S.O.P.		DOCUMENT CODE:TESOP261	
		REVISION: 0	
		RELEASE DATE:	
		PAGE: 14 (total 14 pages)	
DESCRIPTION	PREPARED BY	CONCURRED BY	APPROVED BY
NEW RELEASE	PE:	NA	



Twinhead International Corp.

(Document NO.):TESOP261

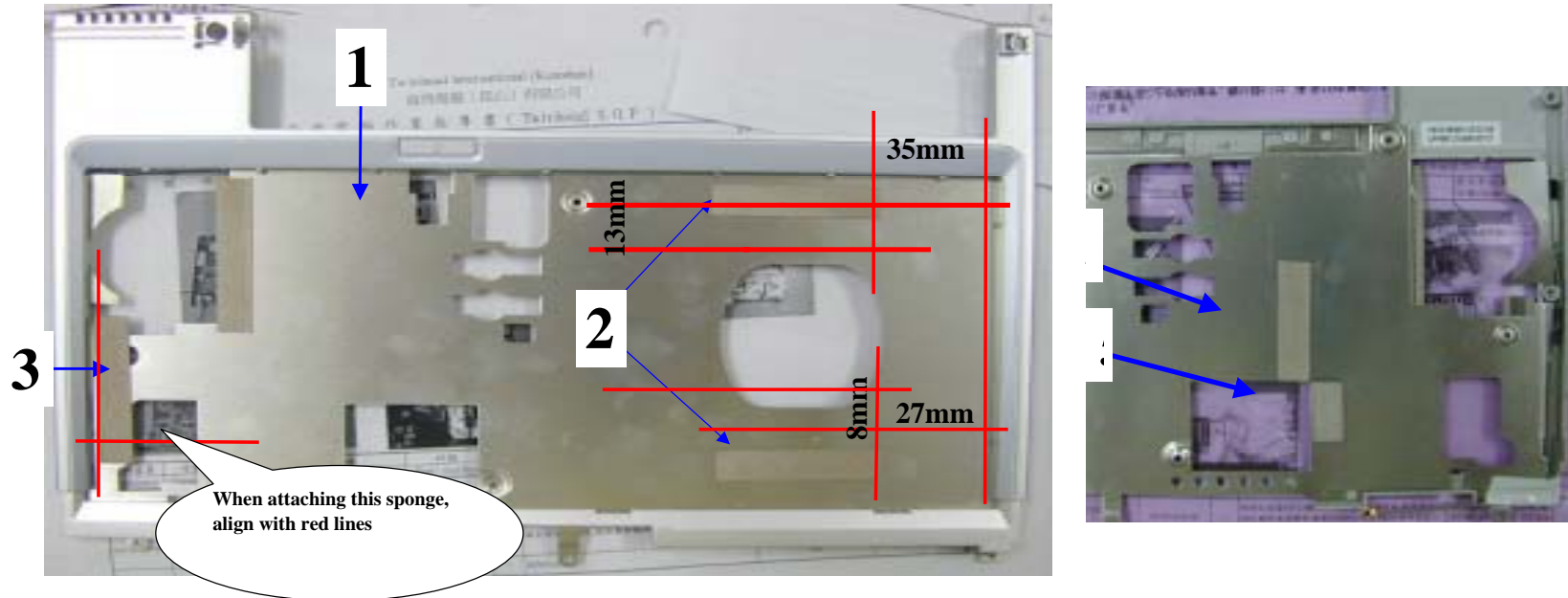
REV: 0

Page/Version

Name of S.O.P: efio!121A SUB ASSEMBLY SOP		Page		Version		Page		Version	
		Page	Version	Page	Version	Page	Version	Page	Version
1. Instruction manual	P.01	1	0						
2.Fabricated material setup instruction (19 people required)	P.2~P.14	2	0						
		3	0						
1.6501 Upper Cover Assembly (2 people)	P.02~P.03	4	0						
2.6502 LOWER COVER Assembly (3 people)	P.04 ~ P.06	5	0						
3.6504 CD-ROM Assembly (2 people)	P.07~ P.08	6	0						
4.6506 HDD Assembly (1 people)	P.09	7	0						
5.6551 PalM REST Assembly (5 people)	P.10~ P.14	8	0						
		9	0						
		10	0						
		11	0						
		12	0						
		13	0						
		14	0						
BOM calls for real fabric; the numbers in the S.O.P are for reference only									
This manual is for efio!121A model System setup									

Name of S.O.P: efiol121A UPPER COVER SOP	Working name: 6501-1	Revision: 0	Date: 2003.09.01	(Manufacturing Section): PE
--	----------------------	-------------	------------------	-----------------------------

Explanation of illustration



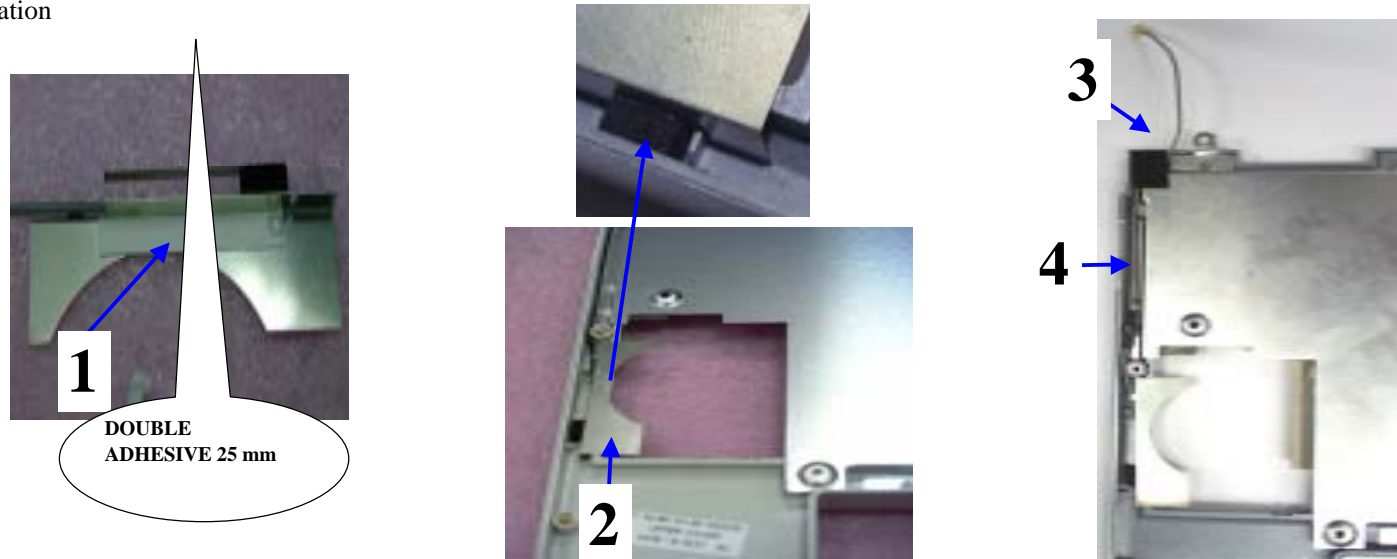
Difference	Operating Item	Part name/specification	Part/number	QTY	Operation description	Important note	Jig/fixture
	1	efiol121A-UPPER COVER ASS'Y	50-963601-00	1	Check UPPER COVER to make sure it is not damaged or distorted; clean with alcohol	Check the appearance	NA
	2	CONDUCTIVE SPONGE(10X0.5X45mm)	51-350094-15	2	Attach two conductive sponges as shown in diagram	Do not allow sponge to cross red line	NA
	3	CONDUCTIVE SPONGE(10X0.5X45mm)	51-350094-15	1	Attach two conductive sponges as shown in diagram	Do not allow sponge to cross red line	NA
	4	CONDUCTIVE SPONGE(10X0.5X35mm)	51-350094-15	1	Attach two conductive sponges as shown in diagram	NA	NA
	5	CONDUCTIVE SPONGE(10X2X20mm)	51-350094-16	1	Attach two conductive sponges as shown in diagram	NA	NA

(Twinhead S.O.P)

(Document NO): TESOP261

Name of S.O.P: efio!121A upper cover SOP	Working name: 6501-2	Revision: 0	Date: 2003.09.01	(Manufacturing Section): PE
--	----------------------	-------------	------------------	-----------------------------

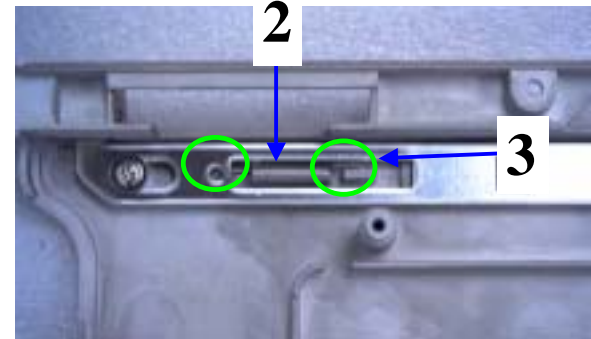
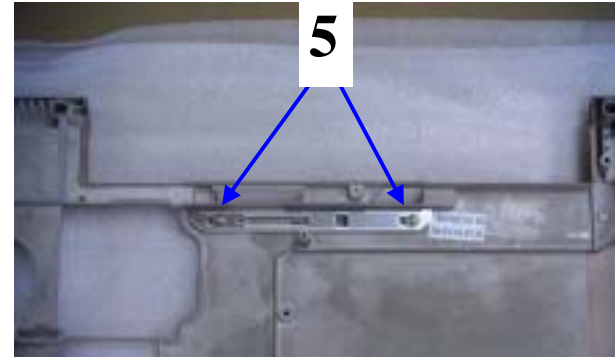
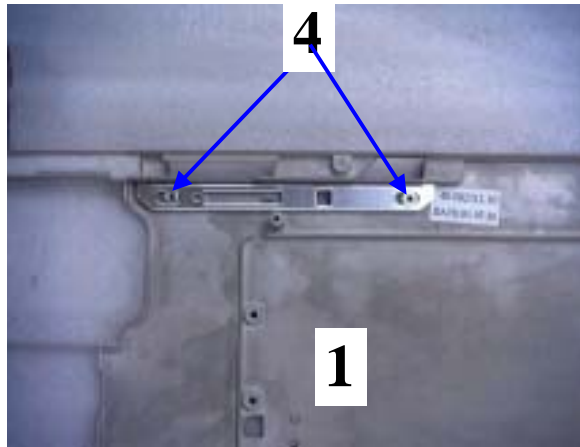
Explanation of illustration



Difference	Operating Item	Part name/specification	Part/number	Q'TY	Operation description	Important note	Jig/fixture
Implement these steps while wireless lan function on	1	DOUBLE ADHESIVE(R)(25X4X0.15mm)	27-300021-00	1	Attach DOUBLE ADHESIVE on upper cover part; do not allow tape to extend over edge	Do allow tape to extend over edge	NA
	2	PIFA ANTENNA-C3530A-P22T	H	1	Place antenna on upper cover as shown in diagram; make sure antenna and upper cover are tightly connected	N/A	NA
	3	TAPE (NARROW)(5~6cm)	61-080022-00	1	Use black tape to fix the antenna as shown in diagram	N/A	N/A
	4	403 quick-drying glue	NA	1	Glue antenna magnet hook to upper cover's fillister	N/A	NA

Name of S.O.P: efiol121A lower cover SOP	Working name: 6502-1	Revision: 0	Date: 2003.09.01	(Manufacturing Section): PE
--	----------------------	-------------	------------------	-----------------------------

Explanation of illustration



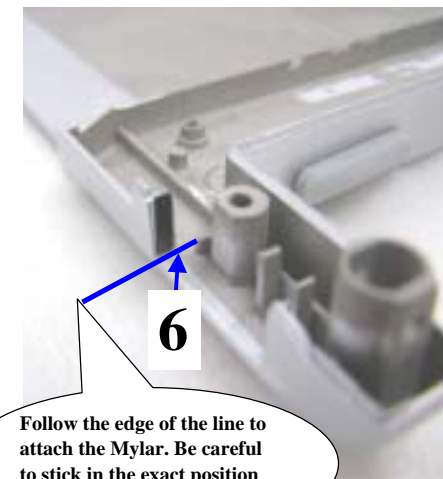
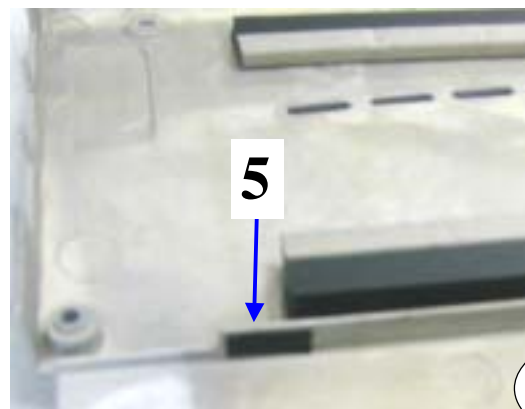
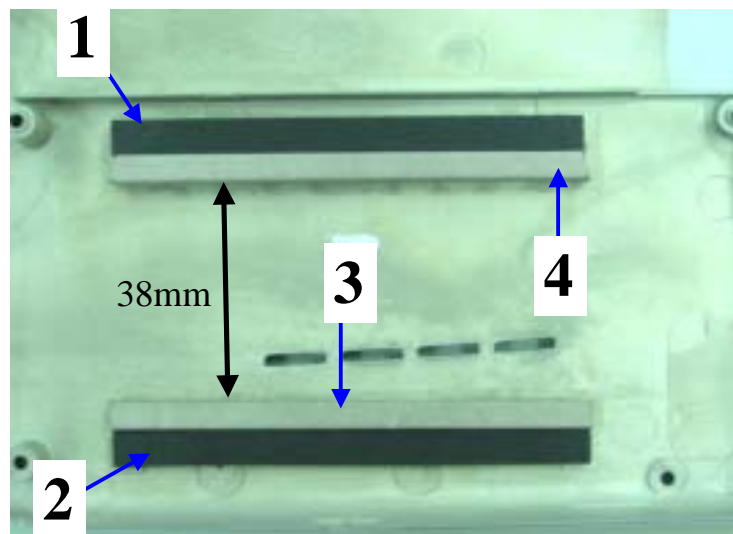
Difference	Operating Item	Part name/specification	Part/number	QTY	Operation description	Important note	Jig/fixture
	1	P22AU-LOWER COVER	40-002420-04	1	Check appearance for scratches or damage.	NA	NA
	2	N222S1-BATTERY LATCH SPRING	40-011951-00	1	Hook the spring from the rear and assemble onto base. Installing outer side of spring hook onto base first as shown in diagram.	Note the direction of the spring	NA
	3	N222S1-BATTERY HOOK	40-006040-00	1		NA	
	4	WASHER-OD=4.8 IO=2.2 T=0.5-D48830	41-690022-48	2	Put screw WASHER on base and align with lockhole	NA	NA
	5	SCREW BPS/W-M2X3L-NYLOK	41-420520-03	2	Tighten on hook in a.b. order	NA	Electrical screwdriver/Torque: 1.5±0.5Kgf-cm

(Twinhead S.O.P)

(Document NO): TESOP261

Name of S.O.P: efio!121A lower cover SOP	Working name: 6502-2	Revision: 0	Date: 2003.09.01	(Manufacturing Section): PE
--	----------------------	-------------	------------------	-----------------------------

Explanation of illustration

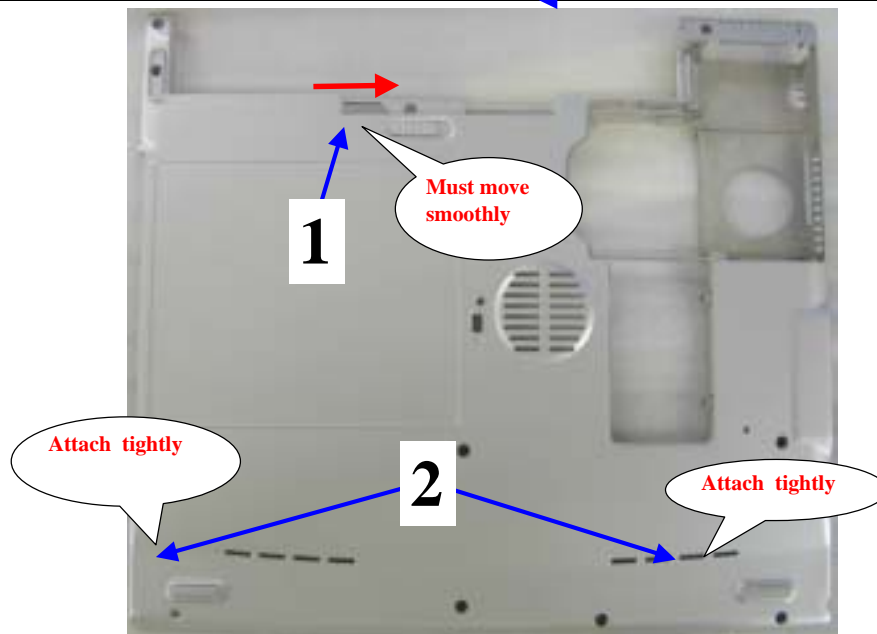


Follow the edge of the line to attach the Mylar. Be careful to stick in the exact position indicated.

Difference	Operating Item	Part name/specification	Part/number	QTY	Operation description	Important note	Jig/fixture
	1	N222S1-HDD SPONGE FOR LOWER UP SIDE	51-036041-00	1	Attach as shown in diagram	N/A	Mylar
	2	N222S1-HDD SPONGE FOR LOWER DOWN SIDE	51-036042-00	1	Attach as shown in diagram	NA	NA
	3	CONDUCTIVE SPONGE (5x3.5x80mm)	51-350094-02	1	Attach as shown in diagram (50mm)	NA	NA
	4	CONDUCTIVE SPONGE (5x5.5x80mm)	51-350094-03	1	Attach as shown in diagram (50mm)	NA	NA
	5	N222S8L-MYLAR-10X4X0.2T-SOTEC	50-023310-00	1	Attach black MYLAR on bottom cover as shown in diagram	NA	NA
	6	P22AJ-MYLAR FOR RJ11 LEFT SIDE t:0.2 (7X2X0.2mm)	50-023335-00	1	At RJ11, add Mylar on bottom cover as shown in diagram	NA	NA

Name of S.O.P: efio!121A lower cover SOP	Working name: 6502-3	Revision: 0	Date: 2003.09.01	(Manufacturing Section): PE
--	----------------------	-------------	------------------	-----------------------------

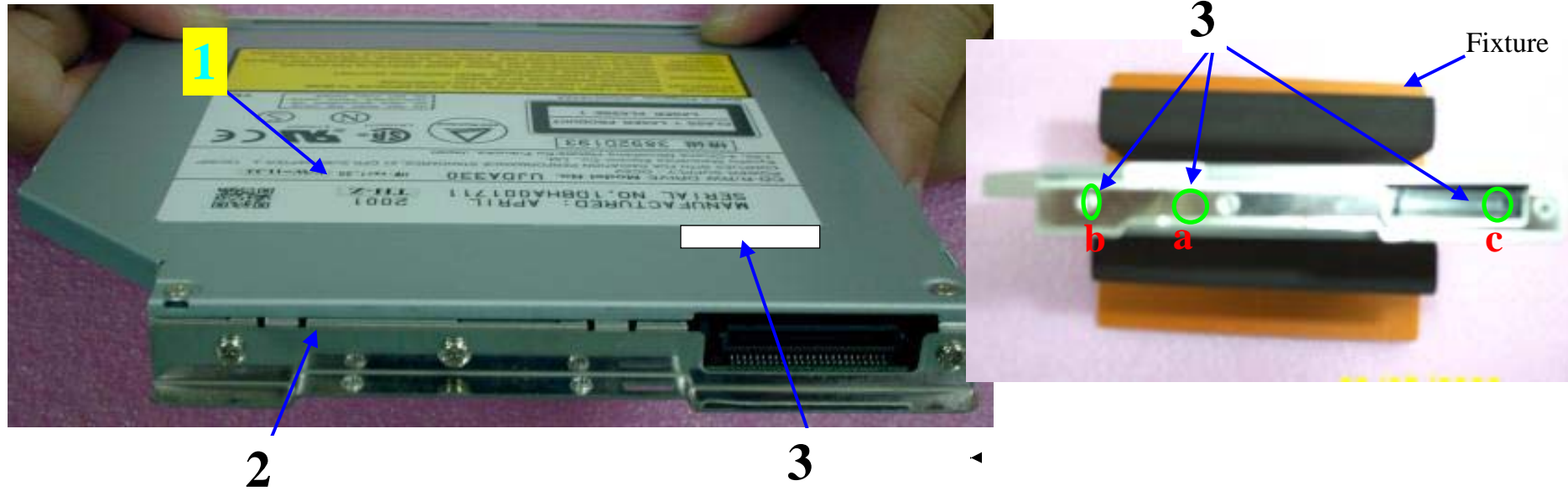
Explanation of illustration



Difference	Operating Item	Part name/specification	Part/number	Q'TY	Operation description	Important note	Jig/fixture
	1	P22AJ-BATTERY LATCH	50-043000-30	1	Install BATTERY LATCH	Note the direction: arrow points right	NA
	2	P22AJ-RUBBER FOOT	52-000000-20	2	Attach rubber foot	N/A	NA
	3	NA	NA	1	Place bottom cover in a protective bag	NA	NA

Name of S.O.P: efio!121A CD-ROM SOP	Working name: 6504-1	Revision: 0	Date: 2003.09.01	(Manufacturing Section): PE
-------------------------------------	----------------------	-------------	------------------	-----------------------------

Explanation of illustration



Difference	Operating Item	Part name/specification	Part/number	Q'TY	Operation description	Important note	Jig/fixture
	1	CD-ROM 24X 224E -TECA	70-130124-00	1	Take a CD-ROM and check it's appearance	Do not vibrate the CD-ROM when carrying.	NA
		DVD-ROM	70-200030-00				
		QSI SBW-242 COMBO	70-210016-00				
	2	N222S1-CD-ROM BRACKET	40-030692-01	1	Install BRACKET on CD-ROM	NA	U type jag
	3	SCREW ISOT-M2X3L-SELF-LOCKING	41-721520-03	3	Lock up screws on BRACKET in a.b.c. order as shown in diagram.	NA	Electrical screw driver/Torque: 1.5± 0.5Kgf-cm
	4	keyparts label	63-250190-00	1	Attach keyparts label as shown in diagram.	NA	NA



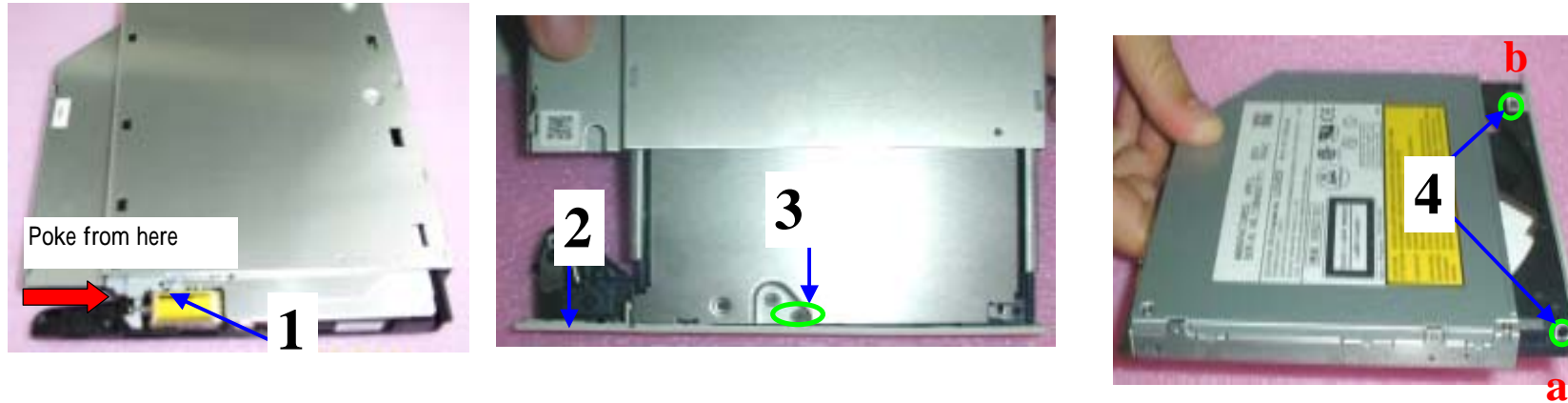
Twinhead International Corp.

(Twinhead S.O.P)

(Document NO): TESOP261

Name of S.O.P: efiol121A CD-ROM SOP	Working name: 6504-2	Revision: 0	Date: 2003.09.01	(Manufacturing Section): PE
-------------------------------------	----------------------	-------------	------------------	-----------------------------

Explanation of illustration



Difference	Operating Item	Part name/specification	Part/number	Q'TY	Operation description	Important note	Jig/fixture
	1	NA	NA	NA	Take CD-ROM and eject disc tray		
	2	CD-ROM BEZEL	50-962801-XX	1	Install BEZEL on CD-ROM tray base.	Check that bezel serial number is correct; Bezel must conform with CD-ROM. Do not let BEZEL change shape	NA
		DVD BEZEL	50-963401-xx				
		CD-RW BEZEL	50-962801-XX				
	3	SCREW BTB 1.7*3L BLACK	41-650217-03	1	Lock up screws on BEZEL as shown in diagram.	Eject tray 30 mm; place it on a table surface	Screwdriver /Torque: 0.8±0.2Kgf-cm
CD-RW	4	SCREW BTB 1.7*3L BLACK	41-650217-03	2	Tighten screws in order of a.b. (When screwing CD-RW's bezel, at (3), (4) total of 3 screws.	NA	Electrical screwdriver/Torque: 0.8± 0.2Kgf-cm
Quanta DVD	5	TAPE (NARROW)-1cm	61-080022-00	1	When using Quanta DVD-ROM, attach a tape at the BEZEL right side hook and then assemble.	Tape is required when using a Quanta DVD	N/A

Name of S.O.P: efio!121A HDD SOP	Working name: 6506-1	Revision: 0	Date: 2003.09.01	(Manufacturing Section): PE
----------------------------------	----------------------	-------------	------------------	-----------------------------

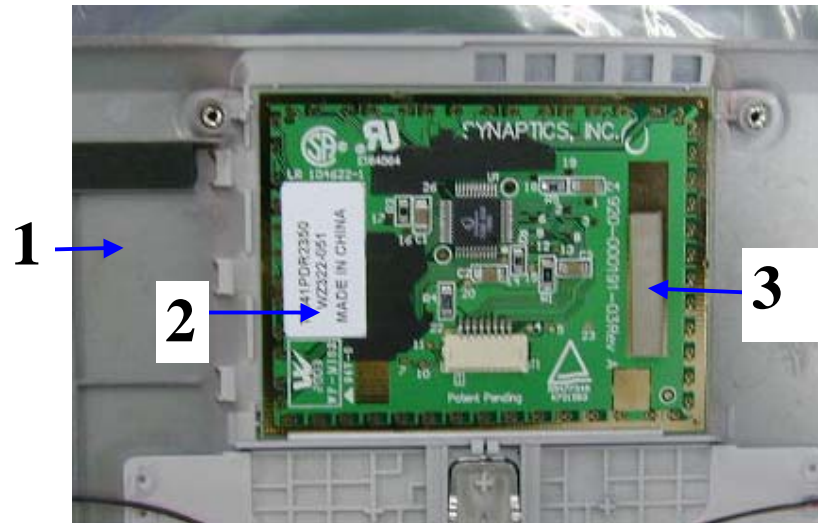
Explanation of illustration



Difference	Operating Item	Part name/specification	Part/number	Q'TY	Operation description	Important note	Jig/fixture
	1	HITACHI 20GB HDD	70-722201-00	1	Check HDD; make sure there are no scratches or damage. Check the metal pins to make sure it is not banded.	Select drive based on customer's needs.	NA
		HDD-30GB-IBM	70-822300-60				
		HDD-40GB-FUJITSU	70-922400-40				
	2	KEY PARTS LABEL	63-250190-00	1	Attach as shown in diagram.	NA	NA
	3	N222S1-HDD BRACKET	40-030691-00	1	Install as shown in diagram	NA	NA
	4	SCREW ISOF-M3.0 X 4.0L	41-870130-04	4	Tighten HDD BRACKET in a.b.c.d. order as shown in diagram.	NA	Electrical screwdriver/Torque: 1.5 ±0.5Kgf-cm
	5	D212A-AL FOIL FOR HDD BRACKET	40-008140-00	2	Attach aluminum foil as shown in diagram	NA	NA
	6	HDD IMAGE	65-000110-00	1	Copy HDI	According to BOM	HDD COPY machine
	7	MO LABEL	63-000710-00	1	Attach as shown in diagram when HDD COPY is finished. Attach HDD LABEL as shown in diagram	N/A	NA
	8	KAPTON TAPE(10mm)	27-319020-00	1	Attach yellow tape to HDD Bracket as shown in diagram.	Note: Tape should cover rack's lockhole	NA

Name of S.O.P: efio!121A PARM REST SOP	Working name: 6551-1	Revision: 0	Date: 2003.09.01	(Manufacturing Section): PE
--	----------------------	-------------	------------------	-----------------------------

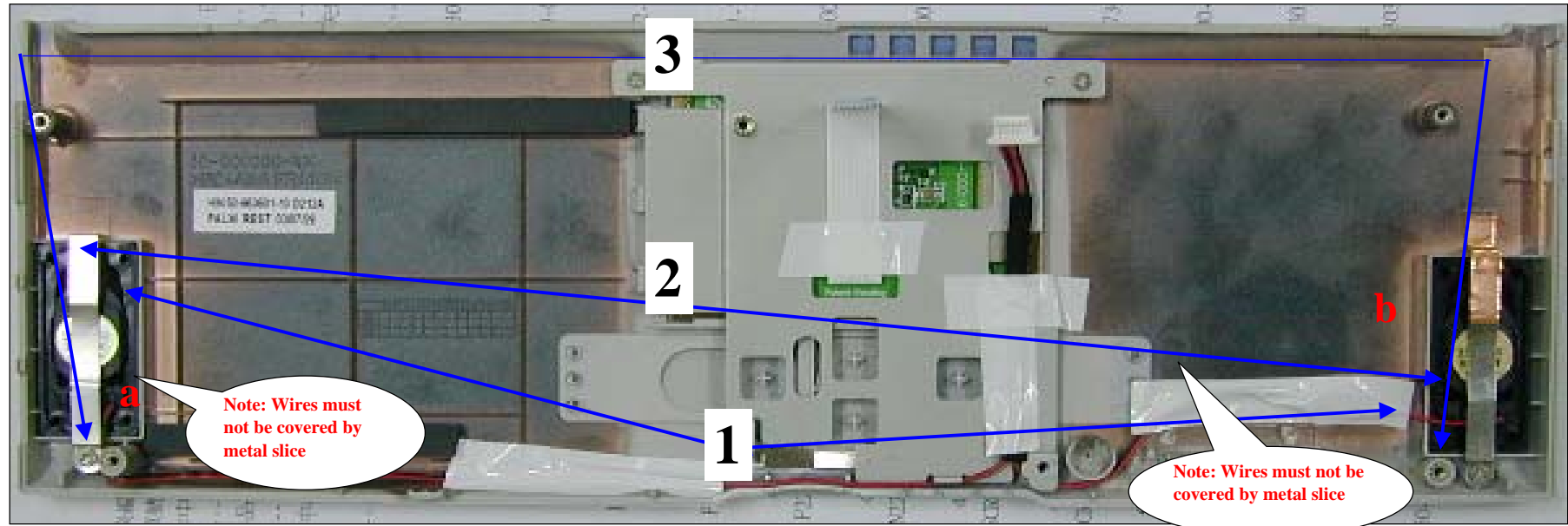
Explanation of illustration



Difference	Operating Item	Part name/specification	Part/number	QTY	Operation description	Important note	Jig/fixture
Have wireless use this palm rest	1	D212A-PALM REST ASS'Y	50-963601-10	1	Check appearance; make sure there are no scratches and no finger prints on touchpad	The windows must not push out the palm rest's surfaces.	NA
		D212A-PALM REST ASS'Y W/WLAN-#8028	50-963601-20	1			
	2	TOUCH PAD-FOR SOTEC-SYNAPTICS	73-080052-00	1	Position TOUCH PAD on palm rest as shown in diagram.	NA	NA
	3	CONDUCTIVE SPONGE(5X2X20mm)	51-350094-01	1	Attach conductive sponge to TOUCH PAD metal part as shown in diagram.	Attach it along the edge of the metal	NA

Name of S.O.P: efio!121A PARM REST SOP	Working name: 6551-2	Revision: 0	Date: 2003.09.01	(Manufacturing Section): PE
--	----------------------	-------------	------------------	-----------------------------

Explanation of illustration

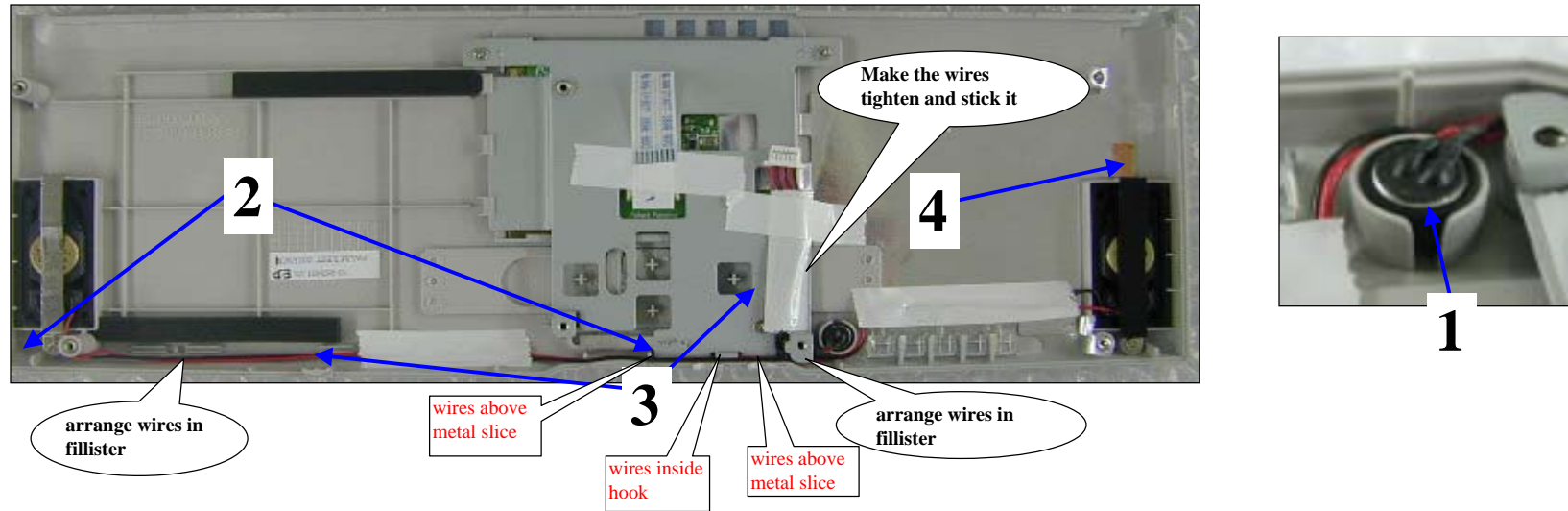


Difference	Operating Item	Part name/specification	Part/number	Q'TY	Operation description	Important note	Jig/fixture
	1	SPEAKER (R)(L)-W/O MICROPHONE	22-300036-00	1	Install SPEAKER on PALM REST as shown in diagram.	Shorter wire is for R side; longer wire is for L side	NA
	2	N222S1-SPEAKER BRACKET	40-030696-00	2	Install speaker bracket to support speaker.	NA	NA
	3	SCREW ISOT M2.0 X 3.0L	41-721520-03	2	Lock speaker up on speaker bracket in a order of a.b as shown in diagram	NA	Electrical screwdriver/Torque: 1.5 ± 0.5Kgf-cm

(Twinhead S.O.P)

Name of S.O.P: efio!121A PARM REST SOP	Working name: 6551-3	Revision: 0	Date: 2003.09.01	(Manufacturing Section): PE
--	----------------------	-------------	------------------	-----------------------------

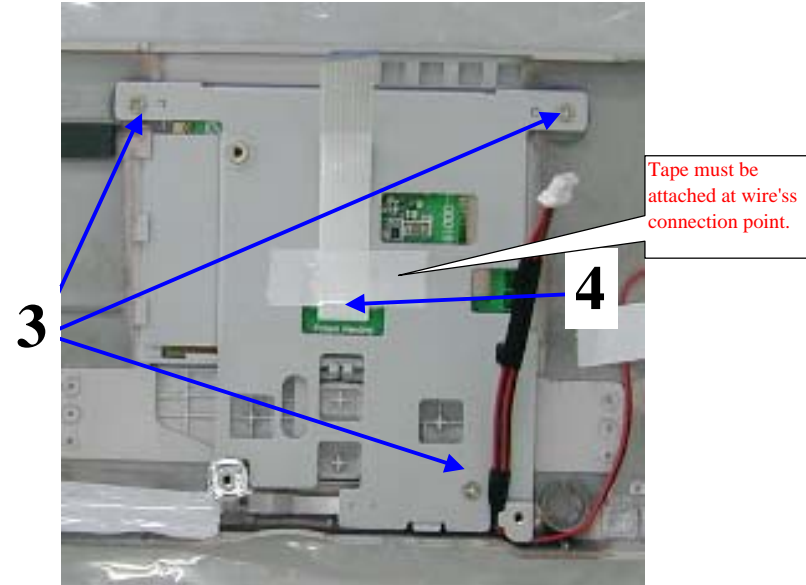
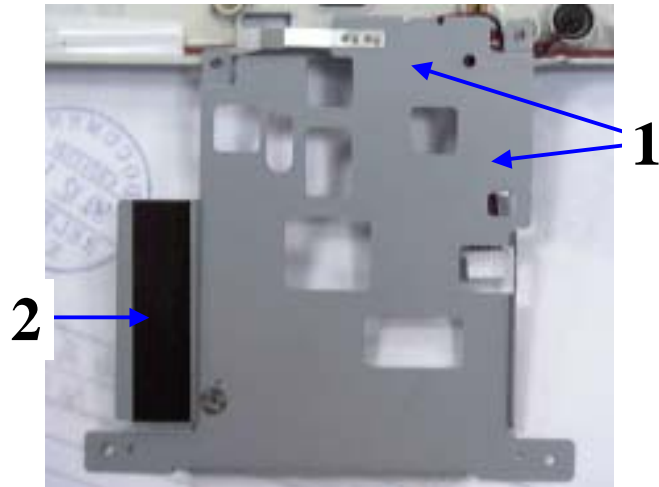
Explanation of illustration



Difference	Operating Item	Part name/specification	Part/number	Q'TY	Operation description	Important note	Jig/fixture
	1	rubber for microphone	50-040617-00	1	Install rubber on microphone and install it at palm rest	NA	NA
	2	NA	NA	1	Arrange SPEAKER wires	Arrange wires in position pillar	NA
	3	TAPE (NARROW)-1cm	61-080022-00	1	Attach tape to wires to fix as shown in diagram.	NA	NA
	4	N222S1 CU-FOIL FOR SPEAKER BRACKET	40-007060-00	1	Attach copper foil to right side of PALM REST as shown in diagram	NA	NA

Name of S.O.P: efio!121A PARM REST SOP	Working name: 6551-4	Revision: 0	Date: 2003.09.01	(Manufacturing Section): PE
--	----------------------	-------------	------------------	-----------------------------

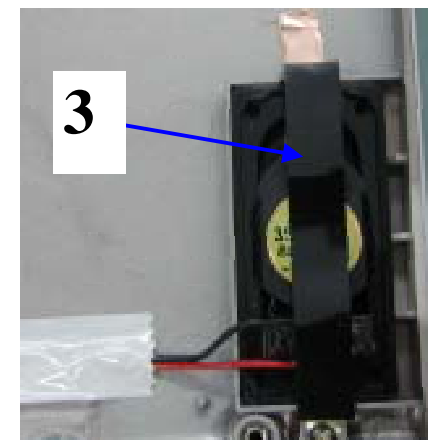
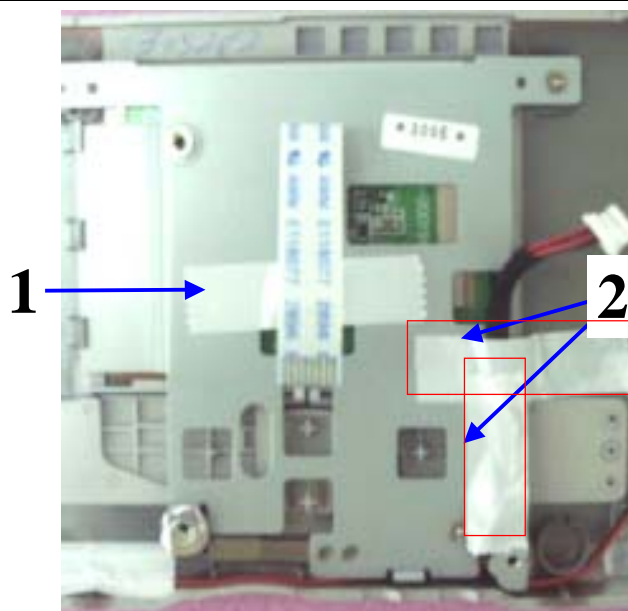
Explanation of illustration



Difference	Operating Item	Part name/specification	Part/number	Q'TY	Operation description	Important note	Jig/fixture
	1	N222S8P-TOUCH PAD BRACKET	40-030530-02	1	Check the metal slice make to sure its shape unchanged; use jig set at a 30 degree angle.	NA	Adjust jig
	2	N222S8P-MYLAR 38X10X0.2T	50-023320-00	1	Attach MYLAR to BRACKET as shown in diagram	NA	NA
	3	SCREW ISOT M2X3L-NYLOK	41-721520-03	3	Lock screw on BRACKET in a order of a.b.c as shown in diagram.	NA	Electrical screwdriver/Torque: 1.5 ± 0.5Kgf-cm
	4	P22AJ-FFC (P=1.0) FOR TOUCHPAD	29-016338-00	1	Insert TOUCH PAD wires as shown in diagram.	Do not cover banded wires.	NA

Name of S.O.P: efio!121A PARM REST SOP	Working name: 6551-5	Revision: 0	Date: 2003.09.01	(Manufacturing Section): PE
--	----------------------	-------------	------------------	-----------------------------

Explanation of illustration



Difference	Operating Item	Part name/specification	Part/number	Q'TY	Operation description	Important note	Jig/fixture
	1	TAPE (NARROW)-2cm	61-080023-00	1	Attach 6 cm long tape to fix Touchpad's wires as shown in diagram.	Wires must be attached at fixed point.	NA
	2	Tape(3cm)	61-080023-00	2	After arranging wires, attach 2-3cm long tape to fix the wires as shown in diagram.	Make sure wires do not cover lockhole's iron slice tape. Do not attach on keypad hole	NA
	3	P22AJ_MYLAR FOR SPEAKER BRACKET (41X6.5X0.1mmt)	50-023335-20	1	Attach a Mylar at right side of speaker iron slice as shown in diagram.	After attaching Mylar, the iron slice is not visible	NA
	4	NA	NA	1	Recheck to make sure palm rest is done and place in PE bag	NA	NA



Twinhead International Corp.

DESCRIPTION		PREPARED BY	CONCURRED BY	APPROVED BY
1. NEW RELEASE		PE:	NA	

efio!121A 12.1" LCD Instruction manual	DOCUMENT CODE: TESOP259
	REVISION 2
	RELEASE DATE:
	PAGE: 9 (total 10 page)



Twinhead International Corp.

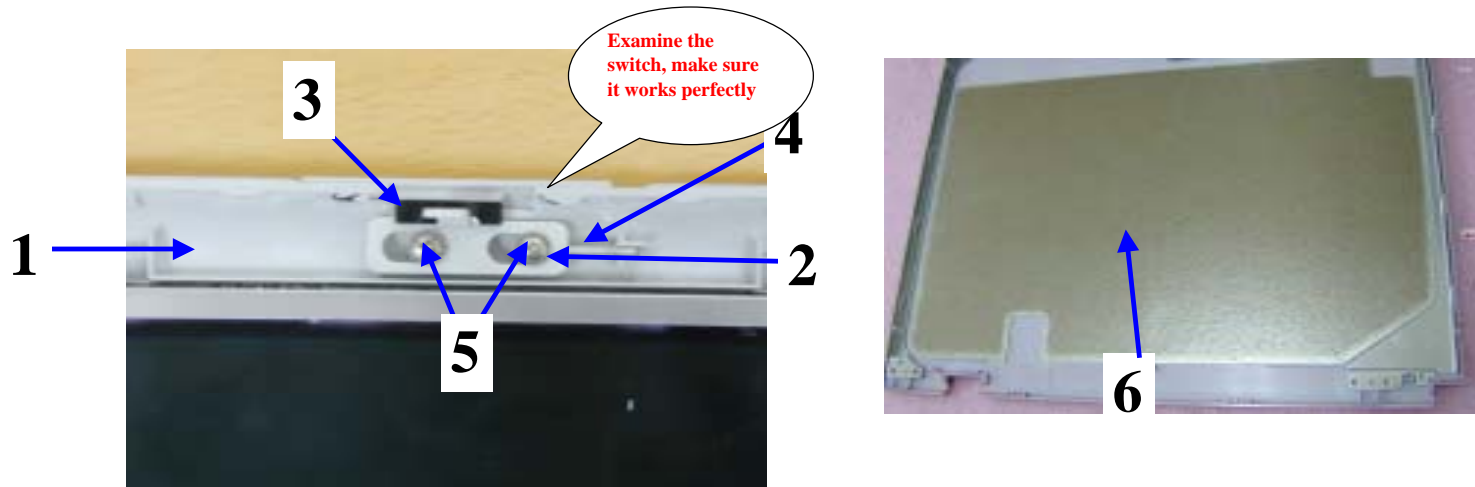
(Document NO.): TESOP259

Page/Version:

REV:2

efio!121A 12.1" LCD S.O.P. Contents		Page	Version	Page	Version	Page	Version	Page	Version
1.Instruction manual	P.01	1	2						
2.Fabricated material setup instructions	P.02~P.09	2	1						
(Manpower:9 people include testing)		3	0						
3. References:		4	1						
1. (Refer to D/C NO:KE3-0113)		5	0						
2. (Refer to D/C NO:KE3-0010)		6	0						
3.KE3-0058		7	0						
4.Tool-Screwdriver, scotch tape		8	0						
		9	1						
BOM calls for real fabric; the numbers in the S.O.P are for reference only									
This manual is for efio!121A 12.1" LCD packaging instr									
PAGE : 01									

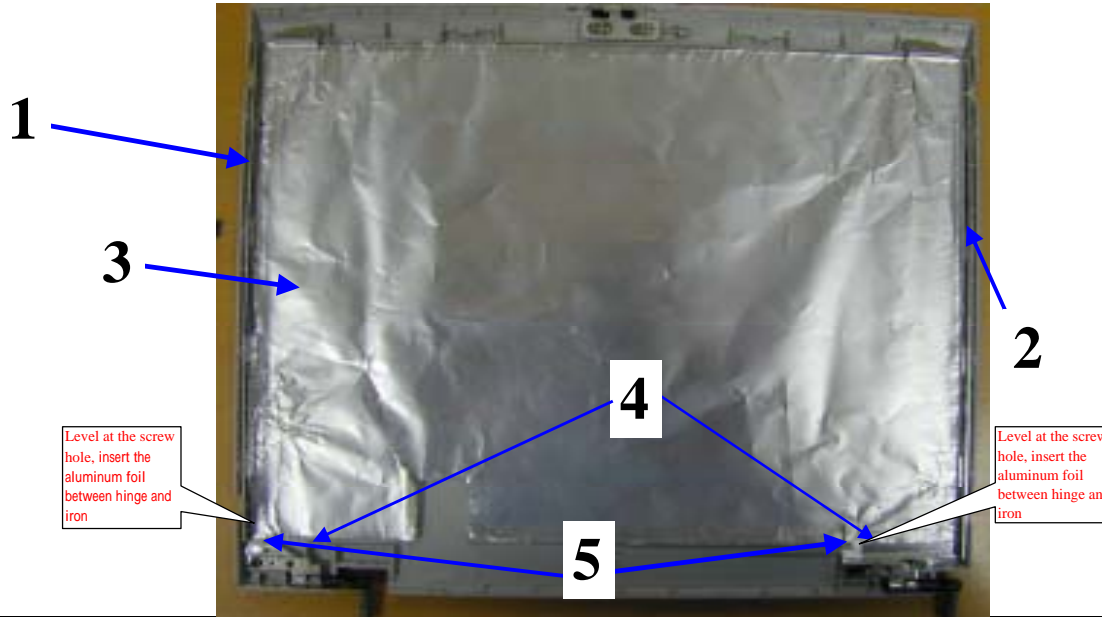
Name of SOP: efio!121A LCD MODULE ASS'Y SOP	Working name: 6512-1	Revision: 1	Date: 2003.09.25	(Manufacturing Section): PE
---	----------------------	-------------	------------------	-----------------------------



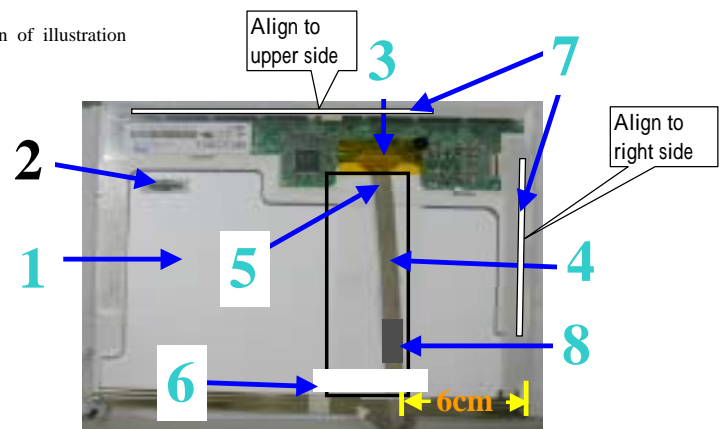

Difference	Operating Item	Part name/specification	Part/number	Q'TY	Operation description	Important note	Jig/fixture
	1	D212A-LCD COVER-ID1-#8028	50-033070-01	1	Check appearance; make sure cover is not scratched	NA	NA
		D212A-LCD COVER ID2-#8027-B1286	50-033071-00				
	2	D212A-LCD HOOK ASS'Y	50-963601-C0/ 50-963601-B0	1	Attach Mylar to LCD hook, then fit spring on the LCD cover	Note the direction of the spring when fitting in	NA
	3	D212A-MYLAR FOR LCD HOOK BLACK	50-023420-00	1			
	4	N222S8-LCD HOOK SPRING	40-011701-00	1			
	5	SCREW BPS/W M2.0 X 3.0L-NYLOK	41-420520-03	2	Firmly attach LCD hook to LCD cover as shown in the diagram	Check to make sure the hook is working perfectly	Electrical screwdriver/torque : 1.5±0.5Kgf-cm
	6	N222S8P-MICA FOR LCD COVER	50-212960-02	1	Attach mica sheet to LCD COVER	NA	NA

Name of SOP: efio!121A LCD MODULE ASS'Y SOP	Working name: 6512-2	Revision: 1	Date: 2003.09.25	(Manufacturing Section): PE
---	----------------------	-------------	------------------	-----------------------------

Explanation of illustration



Difference	Operating Item	Part name/specification	Part/number	QTY	Operation description	Important note	Jig/fixture
	1	N222S8P-LCD BRACKET L	40-030532-00	1	Assemble LCD bracket on base as shown in the diagram	NA	NA
	2	N222S8P-LCD BRACKET R	40-030531-00	1	Assemble LCD bracket on base as shown in the diagram	NA	NA
	3	P22AJ-AL FOIL FOR LCD COVER	40-008122-00	1	Remove adhesive paper, attach aluminum foil to LCD COVER	Make sure it adheres smoothly	NA
	4	N222S8P-DISPLAY HINGE -SOTEC	40-015020-00	2	Assemble LCD HINGE on base as shown in the diagram	NA	NA
	5	SCREW ISOT M2.6X4L	41-720526-04	2	Screw up left and right hinge LCD as shown in the diagram.	NA	Electrical screwdriver/Torque : 2.0±0.5Kgf-cm

Name of SOP: efio!121A LCD MODULE ASS'Y SOP		Working name: 6512-4		Revision: 1		Date: 2003.09.15		(Manufacturing Section): PE	
Explanation of illustration									
									
Difference	Operating Item	Part name/specification	Part/number	QTY	Operation description	Important note	Jig/fixture		
	1	LCD-12.1" XGA TFT-TOSHIBA-LTD121LAOS-11	72-11223G-00	1	Check LCD panel to make sure surface is not scratched	NA	NA		
	2	KEY PARTS BARCODE LABEL	63-250190-00	2	Attach key parts label	NA	NA		
	3	N222S1-HARNESS FOR HSD 12.1" LCD - SH640C	29-001640-00	1	Assemble LCD HARNESS on LCD CONN as shown in the diagram	NA	NA		
	4	N222S8P-MYLAR FOR LCD HARNESS	50-023324-00	1	Place white Mylar on LCD wire material and LCD system	LCD wire material must rest completely on the Mylar	NA		
	5	KAPTON TAPE	27-319003-00	1	Attach between golden adhesive tape and LCD CONNECTOR as shown in the diagram	NA	NA		
	6	TAPE (6cm)	61-080007-01	1	Stick TAPE to fix LCD wire material	Wire must be places at least 7 cm from the edge	NA		
Paste Hyundai LCD	7	N222S8P-MYLAR_T FOR HYUNDAI LCD	50-023326-00	1	Tear off next Mylar; attach it aligned with upper side as shown in the diagram	NA	NA		
		N222S8P-MYLAR_R FOR HYUNDAI LCD	50-023327-00	1	Tear off next Mylar; attach it aligned with right side as shown in the diagram	NA	NA		
Paste TOSHIBA LCD	8	CONDUCTIVE SPONGE(10x0.5x40mm)	51-350094-15	1	Attach conductive sponge to LCD wire material as shown in the diagram	Sponge must be aligned with the black line	NA		



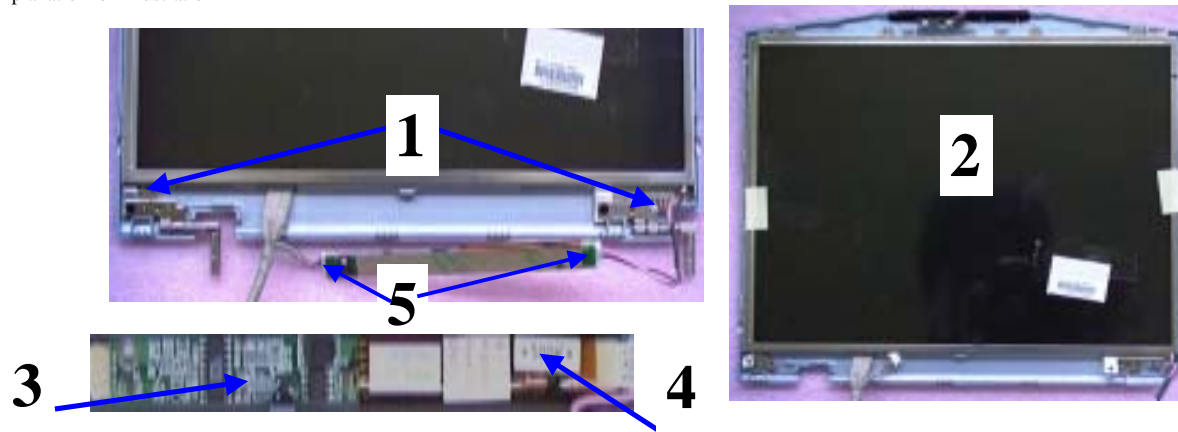
Twinhead International Corp.

(Twinhead S.O.P)

(Document NO): TESOP259

Name of SOP: efiol121A LCD MODULE ASS'Y SOP	Working name: 6512-5	Revision: 0	Date: 2003.09.01	(Manufacturing Section): PE
---	----------------------	-------------	------------------	-----------------------------

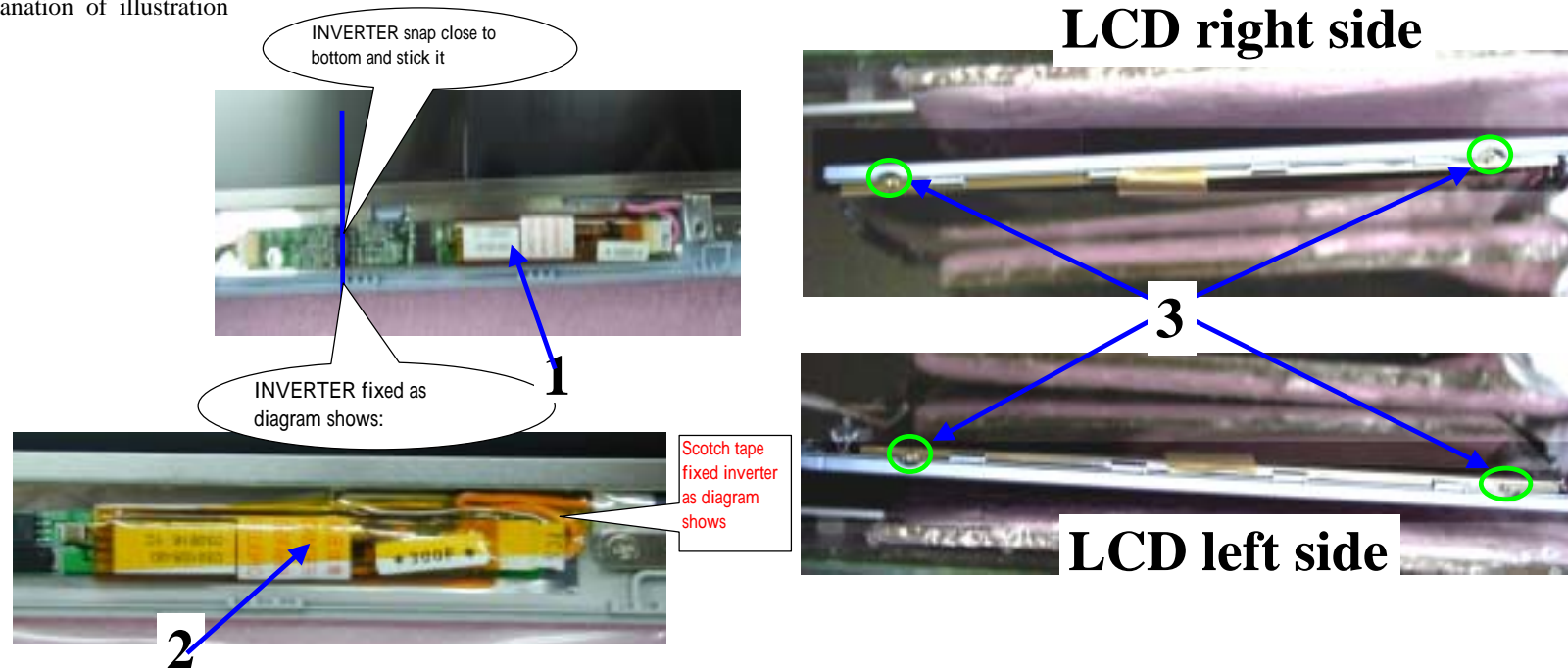
Explanation of illustration



Difference	Operating Item	Part name/specification	Part/number	Q'TY	Operation description	Important note	Jig/fixture
	1	SCREW ISOT-M2X3L-LOCKING	41-721520-03	2	Insert into LCD left and right racks as diagram shows.	NA	Electrical screwdriver/Torque: 1.5±0.5Kgf-cm
	2	NA	NA	1	Combine LCD and LCD COVER	NA	NA
	3	INVERTER-5V-5W-FOR 12.1LCD	76-030105-00	1	Get INVERTER and attach date code label	NA	NA
	4	DATE CODE LABEL	63-000041-XX	1			
	5	NA	NA	0	Connect INVERTER to LCD wire material and LCD panel	NA	NA

Name of SOP: efiol121A LCD MODULE ASS'Y SOP	Working name: 6512-6	Revision: 0	Date: 2003.09.01	(Manufacturing Section): PE
---	----------------------	-------------	------------------	-----------------------------

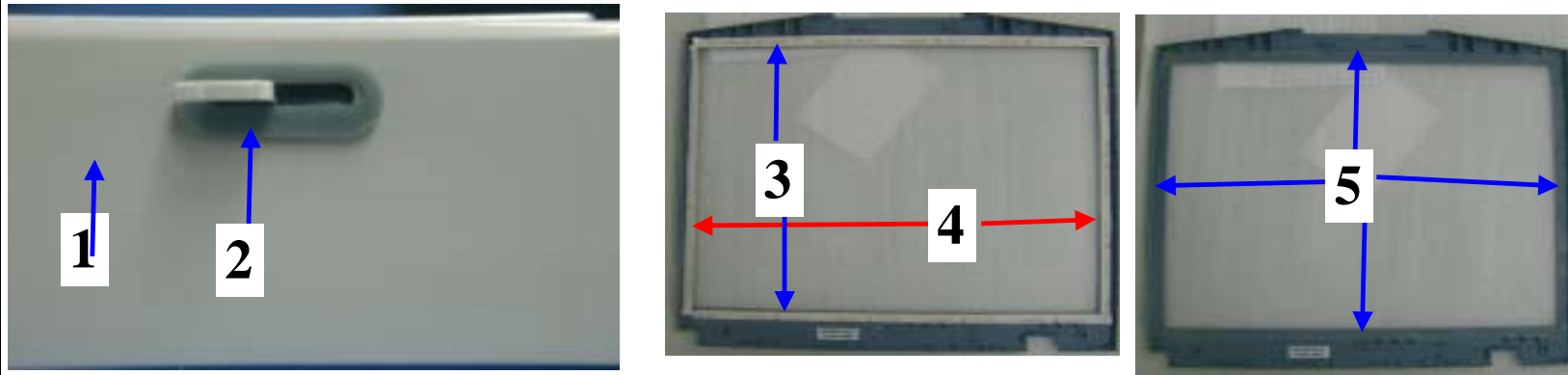
Explanation of illustration



Difference	Operating Item	Part name/specification	Part/number	Q'TY	Operation description	Important note	Jig/fixture
	1	NA	NA	0	Attach INVERTER to the base	NA	NA
	2	TAPE	27-319003-00	1	Attach 6cm golden tape onto the inverter as shown in the diagram	Golden tape must cover the inverter	tape stand
	3	SCREW ISOT M2X3L	41-721520-03	4	Insert and tighten screws to the left and right sides of the LCD as shown in the diagram	NA	Electrical screwdriver/Torque: 1.5±0.5Kgf-cm

Name of SOP: efio!121A LCD MODULE ASS'Y SOP	Working name: 6512-4	Revision: 0	Date: 2003.09.01	(Manufacturing Section): PE
---	----------------------	-------------	------------------	-----------------------------

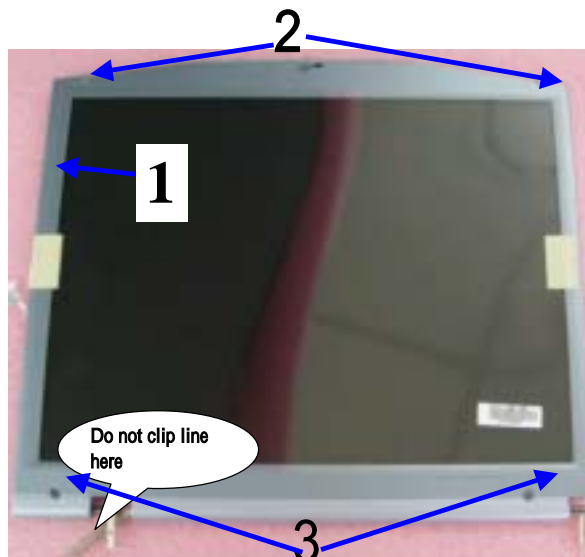
Explanation of illustration



Difference	Operating Item	Part name/specification	Part/number	QTY	Operation description	Important note	Jig/fixture
	1	D212A-LCD PANEL#8126 FOR TH	50-034080-10	1	Check LCD panel to make sure surface is not scratched	NA	NA
	2	D212A-HOOK SUPPORT RUBBER-BLACK-E4677	52-002350-00	1	Attach support rubber to LCD panel	Rubber note's position and panel hole's position must align	NA
	3	double adhesive	NA	2	Attach twin adhesive to LCD panel as shown in the d	Do not extend tape over the panel's edge	NA
	4	double adhesive	NA	2	Attach twin adhesive to LCD panel as shown in the d	Do not extend tape over the panel's edge	NA
	5	NA	NA	NA	Remove twin adhesive's other protective coat	NA	NA

Name of SOP: efio!121A LCD MODULE ASS'Y SOP	Working name: 6512-8	Revision: 0	Date: 2003.09.01	(Manufacturing Section): PE
---	----------------------	-------------	------------------	-----------------------------

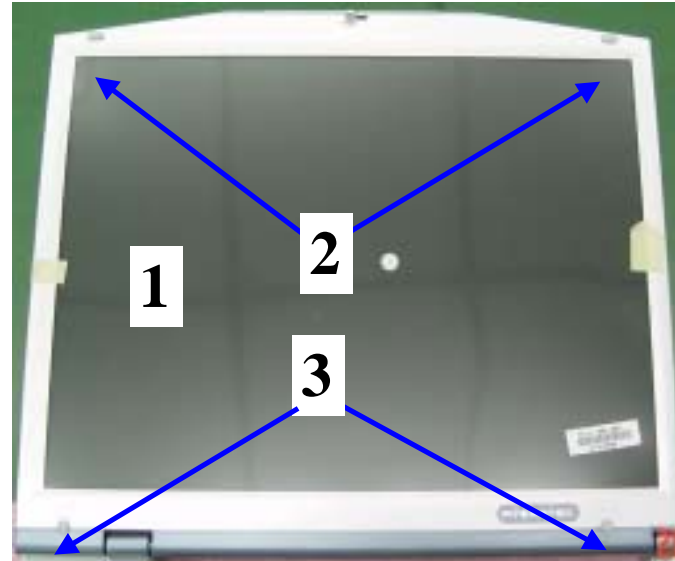
Explanation of illustration



Difference	Operating Item	Part name/specification	Part/number	Q'TY	Operation description	Important note	Jig/fixture
	1	NA	NA	NA	Embed the panel and LCD	NA	NA
	2	SCREW ISOT-M2X6L	41-721520-06	2	Tighten LCD PANEL as shown in the diagram	NA	Electrical screwdriver/Torque: 1.5± 0.5Kgf-cm
	3	SCREW ISOT-M2.6X6L	41-721026-06	2	Tighten LCD PANEL as shown in the diagram	NA	Electrical screwdriver/Torque: 2.0± 0.5Kgf-cm

Name of SOP: efio!121A LCD MODULE ASS'Y SOP	Working name: 6512-11	Revision: 1	Date: 2003.09.25	(Manufacturing Section): PE
--	-----------------------	-------------	------------------	-----------------------------

Explanation of illustration



Difference	Operating Item	Part name/specification	Part/number	Q'TY	Operation description	Important note	Jig /fixture
	1	NA	NA	1	Check appearance and make sure there are no scratches. Tear a protective cover stick behind the panel	NA	NA
	2	N222S8L-RUBBER PAD	50-020385-20	2	Attach rubber pad as shown in the diagram	NA	NA
	3	N222S8L-RUBBER PAD	50-021268-20	2	Attach rubber pad as shown in the diagram	NA	NA
	4	NA	NA	1	Place finished LCD panel into protective bag	NA	NA



Twinhead International Corp.

efio!121A System setup instruction manual		DOCUMENT CODE:TESOP260	
		REVISION: 3	
		RELEASE DATE:	
		PAGE: 21 (total 21 page)	
DESCRIPTION	PREPARED BY	CONCURRED BY	APPROVED BY
1. UPDATE RELEASE		NA	



Twinhead International Corp.

(Document NO.): TESOP260

efio!121A Contents of System Ass'y S.O.P.

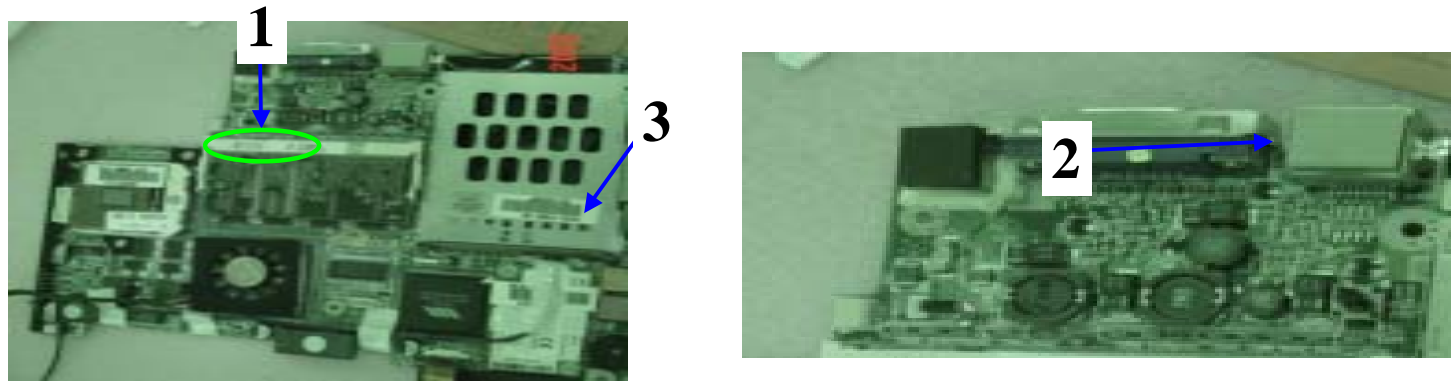
Page/Version

REV: 3

		Page	Version	Page	Version	Page	Version	Page	Version
1.Instruction manual	P.01								
2.Fabricated material setup instruction (19 people required)	P.02~P.20	1	3	19	0				
		2	0	20	0				
3. References:		3	0						
1. (D/C NO: KE3-0113)		4	1						
2. (D/C NO: KE3-0010)		5	0						
3. KE3-0058		6	1						
		7	1						
4.Tool: Electrical screwdriver.tape.clip		8	1						
		9	0						
		10	0						
		10-1	0						
		11	0						
		12	1						
		13	1						
		14	0						
		15	1						
		16	2						
BOM calls for real fabric; the numbers in the S.O.P are for reference only		17	0						
This manual is for efio!121A model System setup		18	0						

Name of S.O.P.: efio!121A System Ass'y SOP	Working name: 7051	Revision: 0	Date: 2003.09.01	(Manufacturing Section): PE
--	--------------------	-------------	------------------	-----------------------------

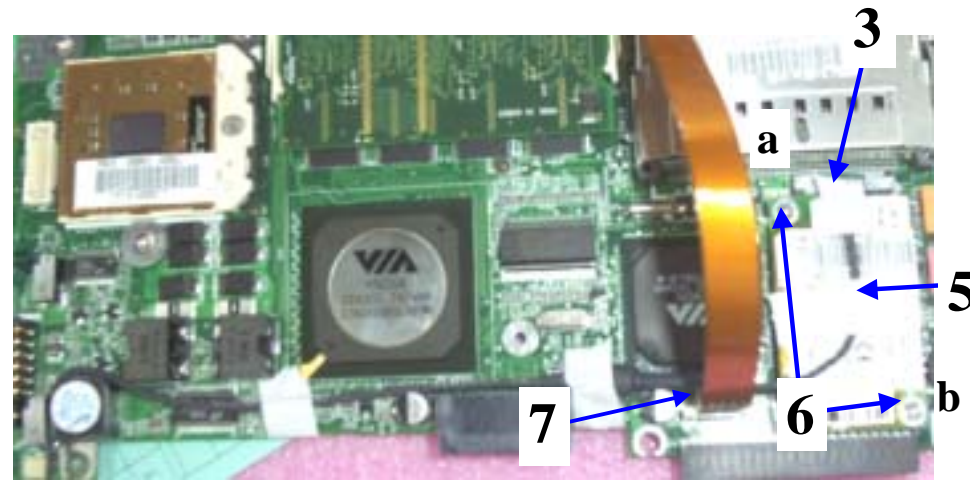
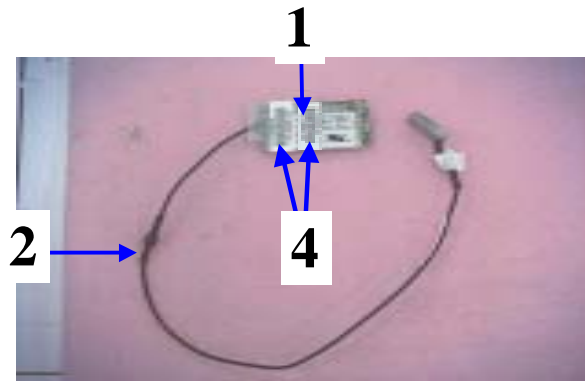
Explanation of illustration



Difference	Operating Item	Part name/specification	Part/number	Q'TY	Operation description	Important note	Jig/fixture
	1	D212A-PCB ASS'Y-VI-K7-REV: 0-W/WIRELES	82-873030-00	1	Get M/B, check to make sure MYLAR is correctly attached. Check Memory stick for deformities. Check Memory stick to make sure Mylar is properly attached. If all are correct. wipe the BARCODE	MYLAR must not cover LED light; check PCMCIA and MEMORY STICK rack for deformities	NA
	2	CONDUCTIVE SPONGE (10X2X10mm)	51-350094-16	1	Attach sponge as shown in diagram	NA	NA
	3	PRODUCT BAR CORD LABEL	63-000710-00	1	Attach PRODUCT BAR CORD LABEL on M/B as shown in diagram	NA	NA
	4	NA	NA	1	Wipe M/B Bar code	NA	BARCODE machine

Name of S.O.P : efiol121A System Ass'y SOP	Working name: 7053	Revision: 1	Date: 2003.10.14	(Manufacturing Section): PE
--	--------------------	-------------	------------------	-----------------------------

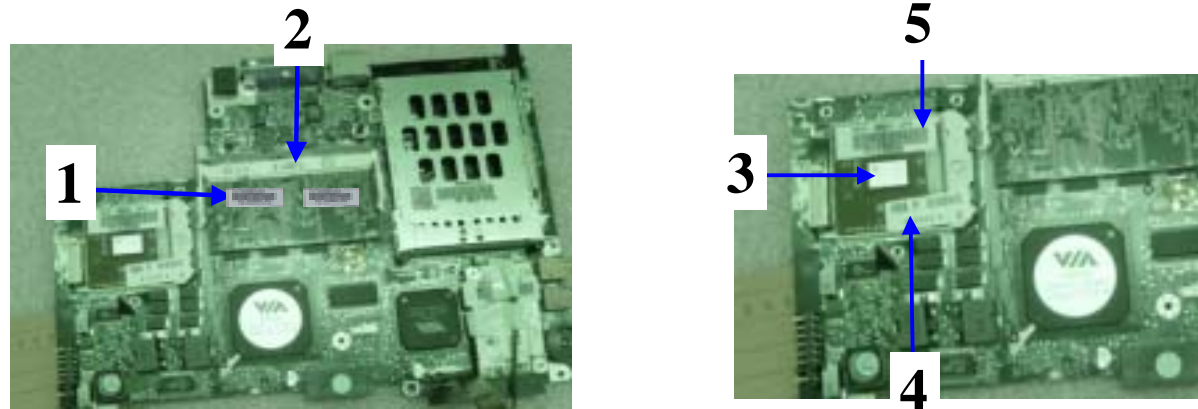
Explanation of illustration



Difference	Operating Item	Part name/specification	Part/number	Q'TY	Operation description	Important note	Jig/fixture
	1	MDC MODEM CARD-SMART LINK-MDC56S-I	76-060007-00	1	Check appearance to make sure there are no scratches or damage	NA	NA
Part number according to BOM	2	N222S1-RJ11 JACK HARNESS	29-001638-02	1	Connect RJ11 JACK HARNESS on MODEM port	NA	NA
		D212A-RJ11 JACK HARNESS-BLACK	29-001638-20				
	3	Scotch tape (約2~3cm)	61-080022-00	1	Place modem HARNESS and fix with scotch tape as shown in diagram.	NA	NA
	4	KEY PARTS BARCODE LABEL	63-250190-00	1	Attach KEY PARTS LABEL and PRODUCT BARCORD LABEL on MODEM as shown in diagram; wipe BARCODE	NA	BARCODE Machine
		PRODUCT BARCORD LABEL	63-000710-00	1		NA	
	5	Scotch tape (約5~6cm)	61-080022-00	1	Place modem HARNESS and fix with scotch tape as shown in diagram	NA	NA
	6	SCREW ISOT M2.0 X 3.0L	41-721520-03	2	Assemble MODEM card on M/B; tighten two screws in a.b. sequence as shown in the diagram	NA	Electrical screwdriver/Torque: 1.5±0.5Kgf-cm
	7	P22AJ-SB-USB FPC	29-015340-00	1	Connect wire as shown in diagram	The connection wire must plug into the correct position	NA

Name of S.O.P : efio!121A System Ass'y SOP	Working name: 7053	Revision: 0	Date: 2003.09.01	(Manufacturing Section): PE
---	--------------------	-------------	------------------	-----------------------------

Explanation of illustration

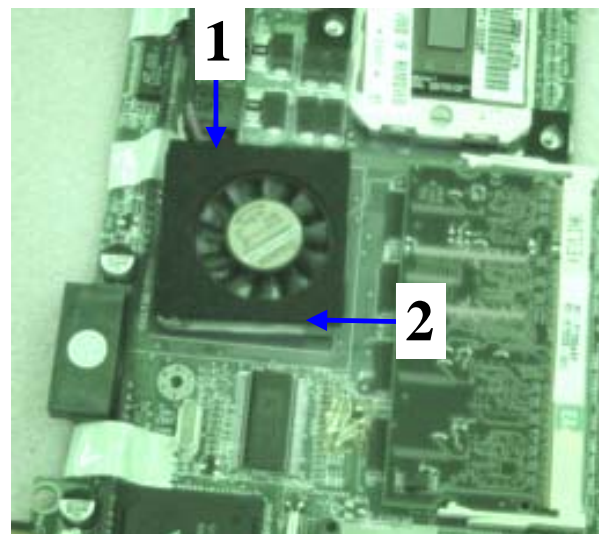
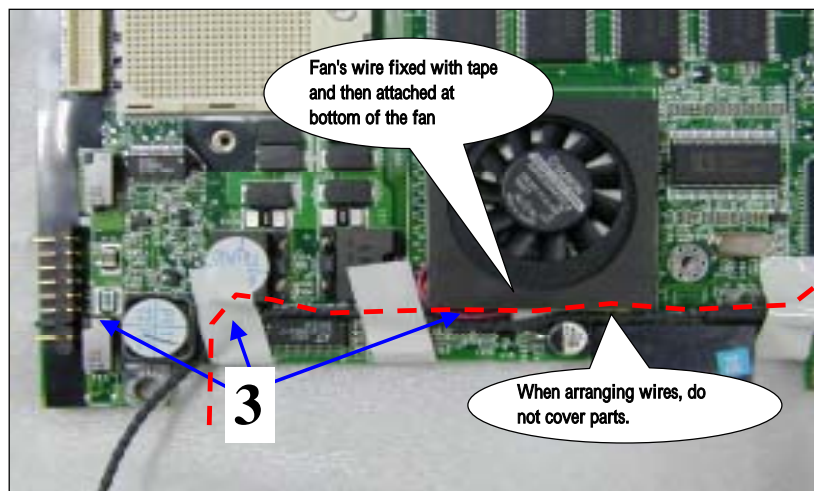


Difference	Operating Item	Part name/specification	Part/number	Q'TY	Operation description	Important note	Jig/fixture
	1	SDRAM DDR SO-DIMM	18-060004-F0	1	Use anti-static cloth to carefully wipe connecting parts	NA	NA
		BAR CODE LABEL	63-250190-00	1	Attach BAR CODE LABEL as shown in diagram	NA	NA
	2	NA	NA	1	Insert SDRAM into M/B SOCKET	Connecting parts must be clean	NA
	3	CPU-AMD K7 MOBILE ATHLON XP 1500+-1333MHZ	01-2000H6-L0	1	When assembling CPU, turn in clockwise direction to lock; turn in counter-clockwise direction to unlock	Do not touch CPU chip's center area	Flat-headed screwdriver
	4	Fragile Label	63-000041-XX	1	Attach LABEL as shown in diagram	Do not attach to CPU chip center area	NA
	5	KEY PARTS LABEL	63-250190-00	1	Attach K/P LABEL	NA	NA

Name of S.O.P : efi0121A System Ass'y SOP	Working name: 7004	Revision: 1	Date: 2003.09.01	(Manufacturing Section): PE
---	--------------------	-------------	------------------	-----------------------------

Explanation of illustration

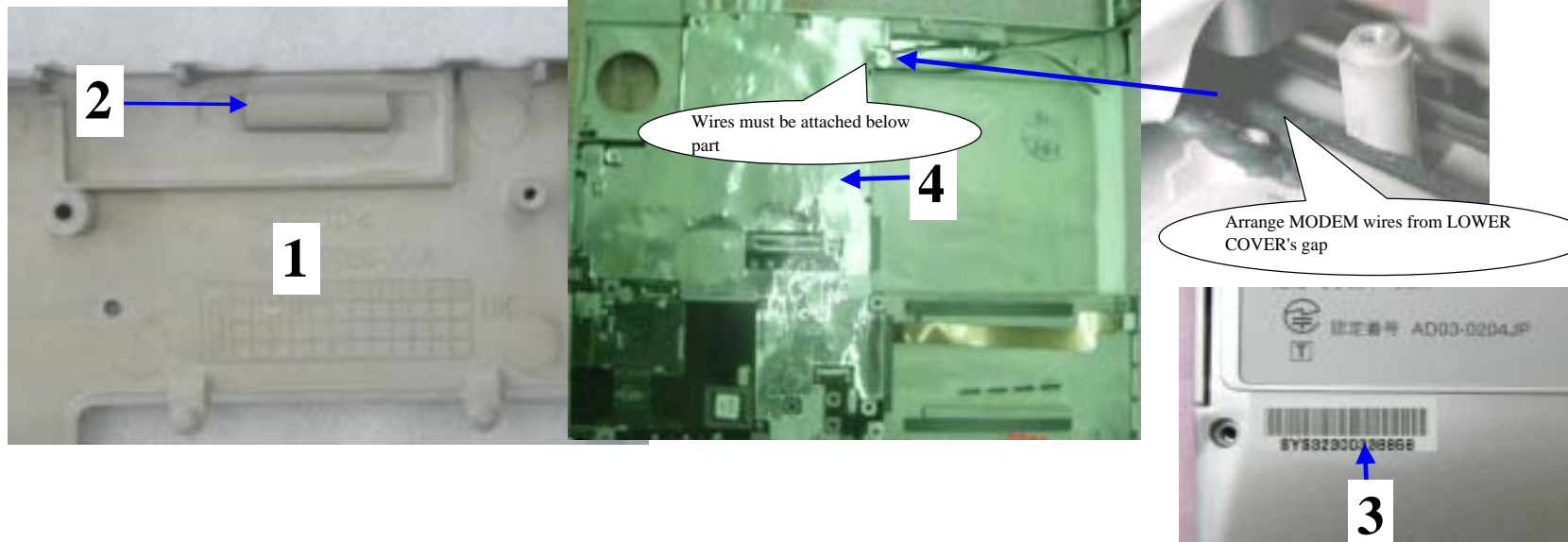
Explanation of illustration



Difference	Operating Item	Part name/specification	Part/number	Q'TY	Operation description	Important note	Jig/fixture
	1	2nd FAN-L=80mm-W/SPONGE-6B0535AEV2	28-200022-11	1	Check fan's appearance to make sure there are no scratches or damage; tear off the adhesive tape from the back of the fan	Make sure fan's adhesive side and sponge are not damaged	NA
	2	NA	NA	1	Use tools to attach fans to M/B's north bridge as shown in diagram	Note the position of wires when placing fans as shown in diagram.	NA
	3	Scotch tape (約2~3cm)	61-080022-00	3	Attach TAPE to fix wires; arrange as shown in diagram.	Keep wires away from south and north bridge	NA

Name of S.O.P : efiol121A System Ass'y SOP	Working name: 7004	Revision: 1	Date: 2003.10.14	(Manufacturing Section): PE
--	--------------------	-------------	------------------	-----------------------------

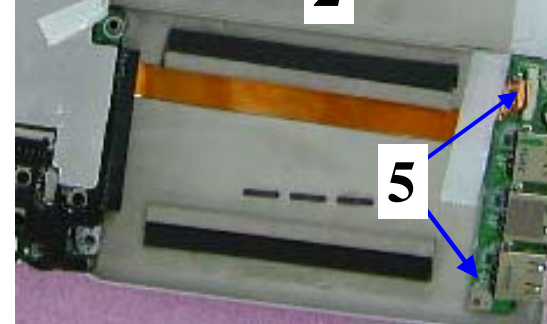
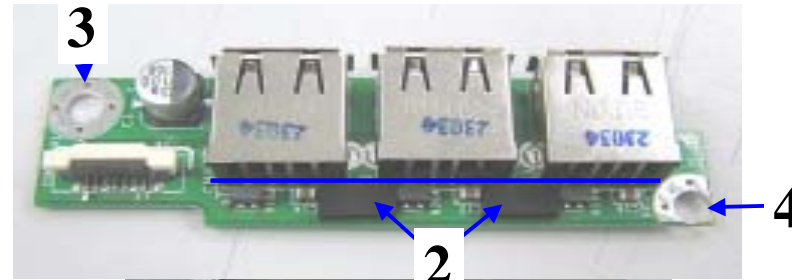
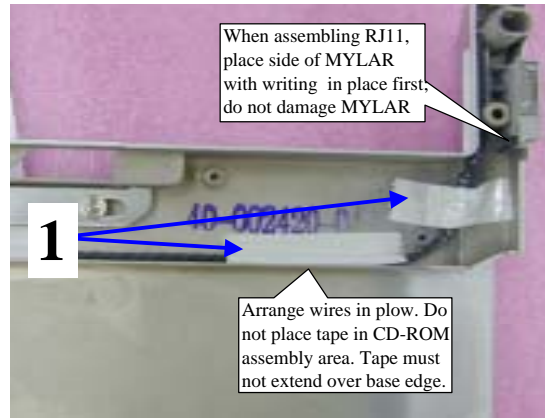
Explanation of illustration



Difference	Operating Item	Part name/specification	Part/number	QTY	Operation description	Important note	Jig/fixture
	1	P22AU-#8028M LOWER COVER KIT-P22T	77-630007-C0	1	Check bottom cover's appearance to make sure there are no scratches or damage	Make sure LAUNCH KEY is not damaged or out of position	NA
	2	CONDUCTIVE SPONGE (5X1X20mm)	51-350100-00	1	Attach to bottom cover as shown in diagram	Attach following plow groove on bottom cover	NA
	3	PRODUCT BAR CORD LABEL	63-000710-00	1	Attach PRODUCT BAR CORD LABEL as shown in diagram	NA	NA
	4	NA	NA	1	Place M/B in LOWER COVER, arranging wires as shown in diagram. Plug fans wires into M/B; make sure fan's position is correct and wires are hidden	NA	NA

Name of S.O.P : efiol121A System Ass'y SOP	Working name: 7054	Revision: 1	Date: 2003.10.14	(Manufacturing Section): PE
--	--------------------	-------------	------------------	-----------------------------

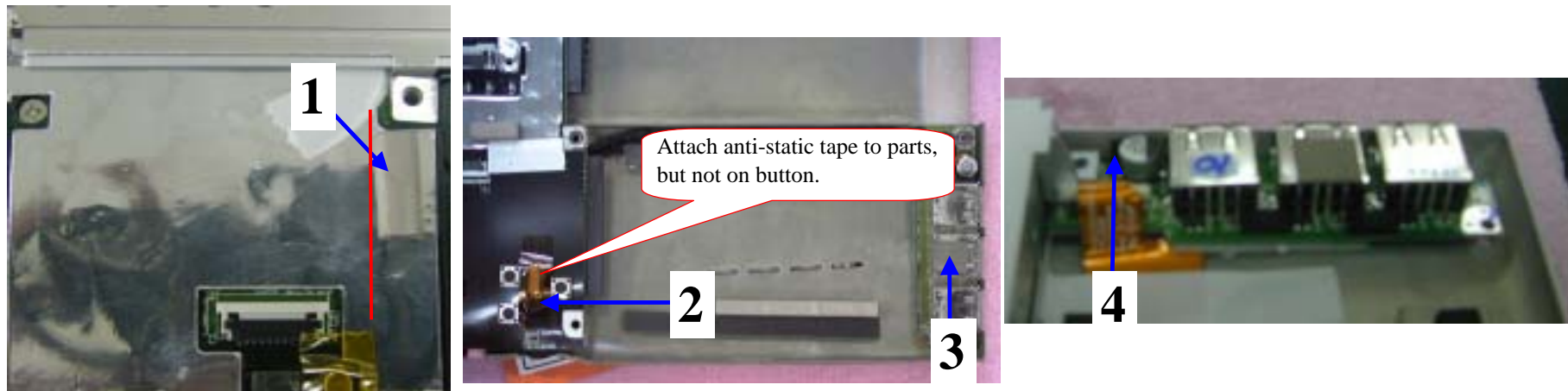
Explanation of illustration



Difference	Operating Item	Part name/specification	Part/number	QTY	Operation description	Important note	Jig/fixture
	1	Tape, narrow size (around 2~3cm)	61-080022-00	2	Arrange wires at bottom cover plow, use 2 pieces of tape to fix it as shown in diagram.	NA	Tape holder
	2	P22AJ-PCB ASS'Y-VI-USB-REV: D	80-690000-00D	1	Get a USB card; attach 2 pieces of rubber to USB cards shown in diagram.	NA	NA
		P22AJ-PROTECT RUBBER FOR USB-7.6x4x1.7t-E46220	52-002082-00	2			
	3	AL WASHER FOR USB BOARD-OD=8,ID=3,T=0.2mm	41-690130-02	1	Attach aluminum foil to USB card's left upper side as shown in diagram.	Aluminum foil must align with hole	NA
	4	AL WASHER FOR USB BOARD-OD=8,ID=3,T=0.3mm	41-690130-03	1	Attach aluminum foil to USB card's right lower side as shown in diagram.	Aluminum foil must align with hole	NA
	5	NA	NA	1	Connect USB card and fix it at bottom cover right side as shown in diagram.	NA	NA

Name of S.O.P : efiol121A System Ass'y SOP	Working name: 7055	Revision: 1	Date: 2003.09.25	(Manufacturing Section): PE
--	--------------------	-------------	------------------	-----------------------------

Explanation of illustration



Difference	Operating Item	Part name/specification	Part/number	QTY	Operation description	Important note	Jig/fixture
	1	CONDUCTIVE SPONGE 5X3.5X15mm	51-350094-02	1	Attach conductive sponge to M/B as shown in diagram	Attach along to red line; do go over red line.	NA
	2	Yellow anti-static tape(12X25mm)	27-319009-00	1	Attach yellow tape to parts as shown in diagram	Do not cover surrounding buttons	NA
	3	GASKET TAPE 10X10X0.7mm	27-300051-00	1	Attach sponge in the middle of USB card as shown in diagram	NA	NA
	4	P22AJ-RUBBER FOR USB- 4X2mm,T=2mm	52-002080-00	1	Attach RUBBER vertically along LOWER COVER as shown in diagram; tightly press on USB card	Make sure RUBBER tightly pressed on USB card and fix it in position.	NA



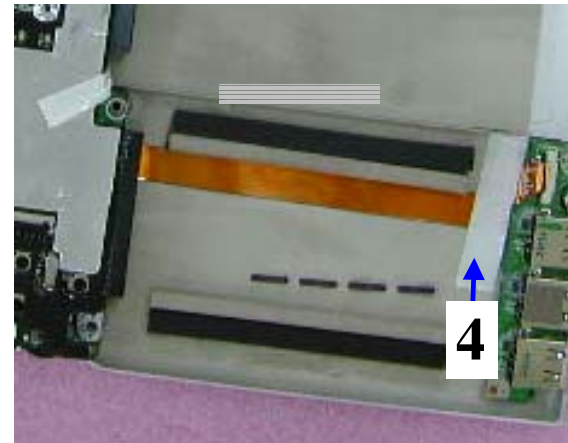
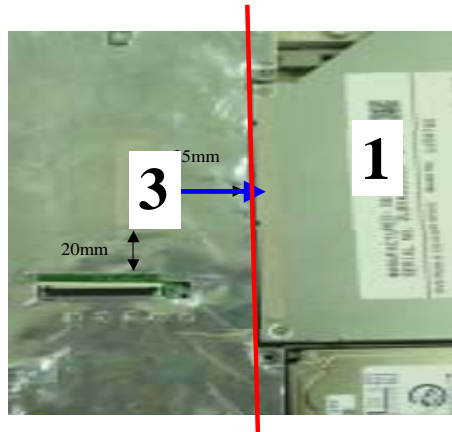
Twinhead International Corp.

(Twinhead S.O.P)

(Document NO) : TESOP260

Name of S.O.P : efiol121A System Ass'y SOP	Working name: 7007	Revision: 0	Date: 2003.09.01	(Manufacturing Section): PE
--	--------------------	-------------	------------------	-----------------------------

Explanation of illustration



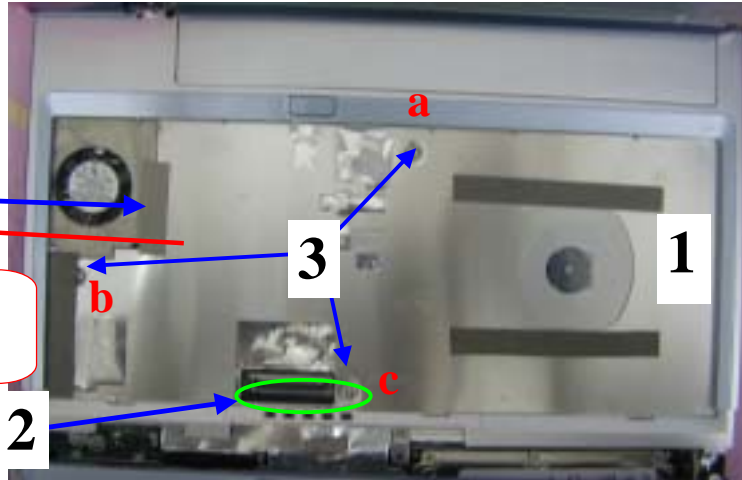
Difference	Operating Item	Part name/specification	Part/number	Q'TY	Operation description	Important note	Jig/fixture
	1	P22T-#8028 QUANTA DVD-ROM KIT	77-634008-10	1	Assemble COMBO on M/B in position as shown		NA
	2	KEY PARTS LABEL	63-250190-00	1	Wipe CD-ROM bar code	NA	bar code machine
	3	CONDUCTIVE SPONGE(5X0.5X85mm)	51-350094-10	1	Attach alignment sponge to CD-ROM/COMBO's back edge	Attach along red line	NA
	4	Tape, narrow size (around 2~3cm)	61-080022-00	1	Use tape to fix USB card's wires as shown in diagram.	Make sure wires are properly connected.	Scotch tape

Name of S.O.P : efiol121A System Ass'y SOP	Working name: 7055	Revision: 0	Date: 2003.09.01	(Manufacturing Section): PE
--	--------------------	-------------	------------------	-----------------------------

Explanation of illustration



The UPPER COVER's rib must be attached to base rib's left side.

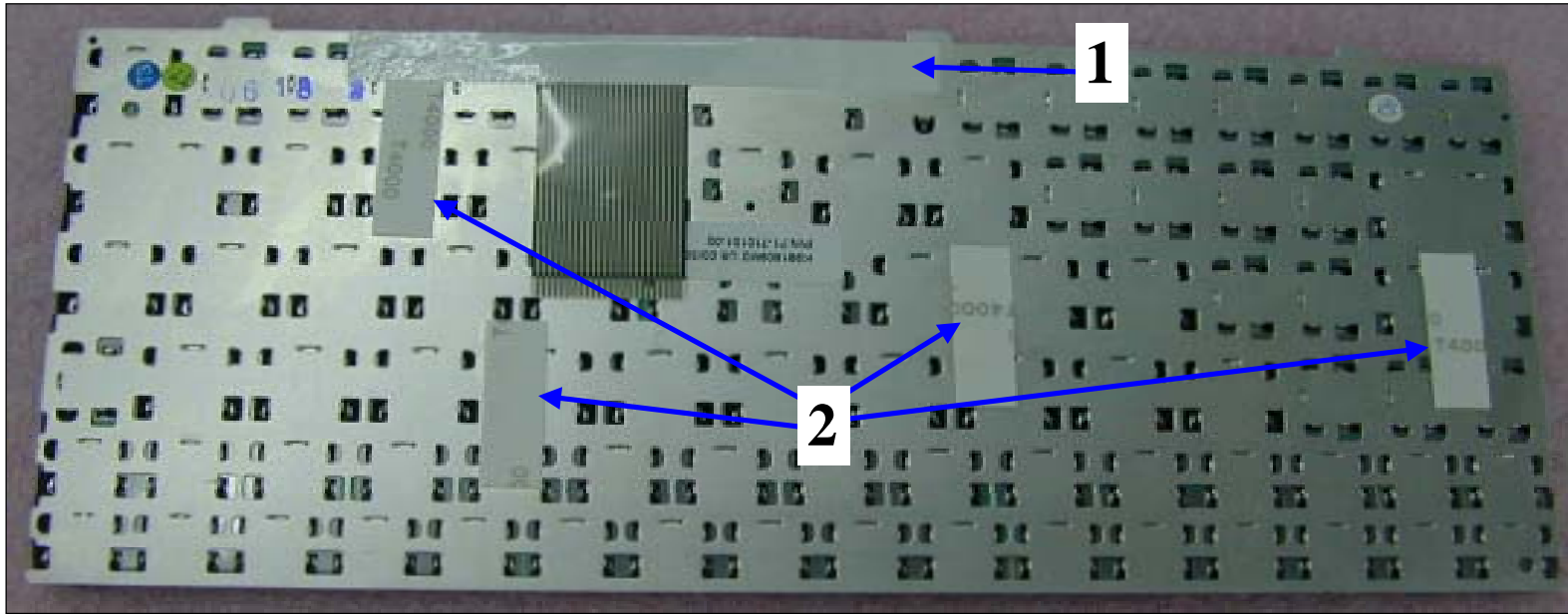


Attach conductive sponge stick along this red line.

Difference	Operating Item	Part name/specification	Part/number	QTY	Operation description	Important note	Jig/fixture
	1	D212A-#8028 UPPER COVER KIT	77-636007-00	1	Assemble upper cover kit on base foundation.	When assembling UPPER COVER, the RIB must be fixed in the proper position.	NA
	2	NA	NA	1	Check the upper cover; do not cover 5 LED lights.	NA	NA
	3	SCREW ISOP M2.0 X 6.0L	41-850520-06	3	Tighten 2 screws on upper cover in a order a.b c as shown in diagram.	Do not touch UPPER COVER's iron plate; if there is dirt, use cleanser to remove.	Electrical screwdriver/Torque: 1.5±0.5Kgf-cm
	4	CONDUCTIVE SPONGE (10X0.5X45mm)	51-350094-15	1	Attach conductive sponge to upper cover left upper corner as shown in diagram.	Attach it vertically above red line as shown in diagram.	NA

Name of S.O.P : efiol121A System Ass'y SOP	Working name: 7057	Revision: 0	Date: 2003.09.25	(Manufacturing Section): PE
--	--------------------	-------------	------------------	-----------------------------

Explanation of illustration



Difference	Operating Item	Part name/specification	Part/number	Q'TY	Operation description	Important note	Jig/fixture
When part's comes without tapes then need to do this	1	White scotch tape	NA	1	Attach tapes at keyboard wire's bottom	Do not tape over the edge of the keyboard.	NA
	2	Double-sided adhesive tape T4000	NA	4	Attach 4 double-sided adhesive tapes as shown in diagram and remove other side to make it adhesive	NA	NA

Name of S.O.P : efiol121A System Ass'y SOP	Working name: 7057	Revision: 0	Date: 2003.09.25	(Manufacturing Section): PE
--	--------------------	-------------	------------------	-----------------------------

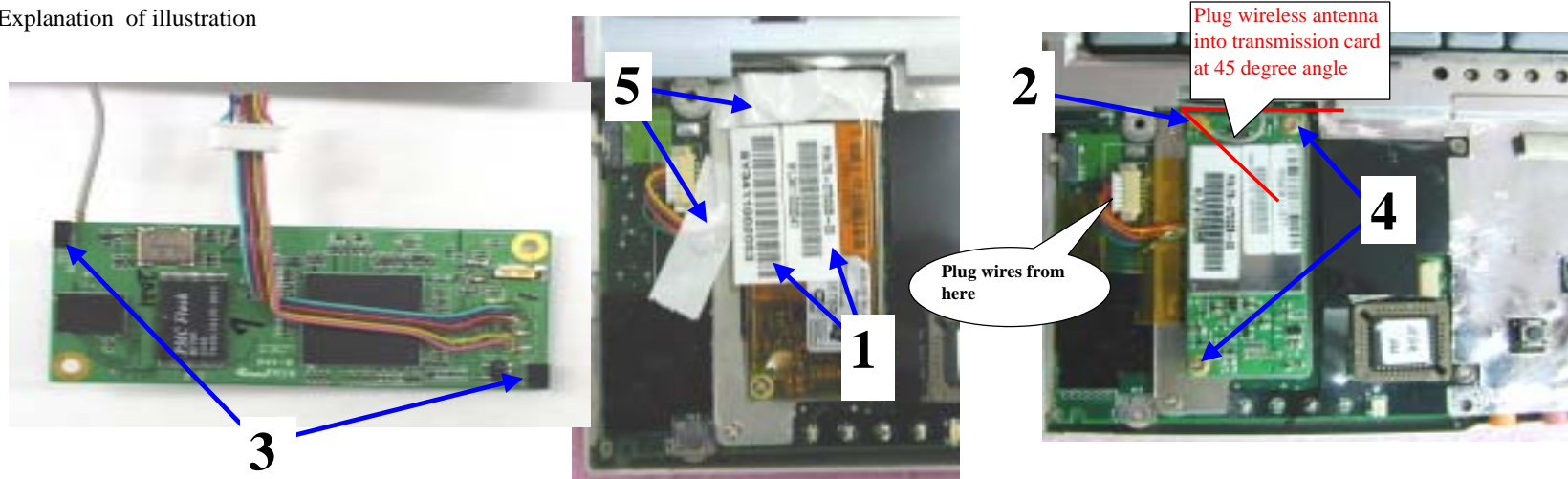
Explanation of illustration



Difference	Operating Item	Part name/specification	Part/number	Q'TY	Operation description	Important note	Jig/fixture
	1	K/B-85 KEY-TW-N222S8SA-JME-FOR SOTEC	71-710101-00	1	Check the keyboard make sure printing is not fuzzy or damaged; use cleaner to clean iron plate.	Make sure K/B's RUBBER is not over banded as shown in diagram	NA
	2	KEY PARTS LABEL	63-250190-00	1	Attach KB onto KEY PARTS LABEL; wipe BARCODE	NA	bar code machine
	3	NA	NA	1	Connect KB's wires on M/B's CONN as shown in diagram	Connect tightly	NA
	4	NA	NA	0	Fix K/B on UPPER COVER as shown in diagram.	Check hook for damage. Note that K/B upper side must fit firmly in UPPER COVER hook; make sure wires are not visible from front side.	NA

Name of S.O.P : efio!121A System Ass'y SOP	Working name: 7008	Revision: 1	Date: 2003.10.14	(Manufacturing Section): PE
--	--------------------	-------------	------------------	-----------------------------

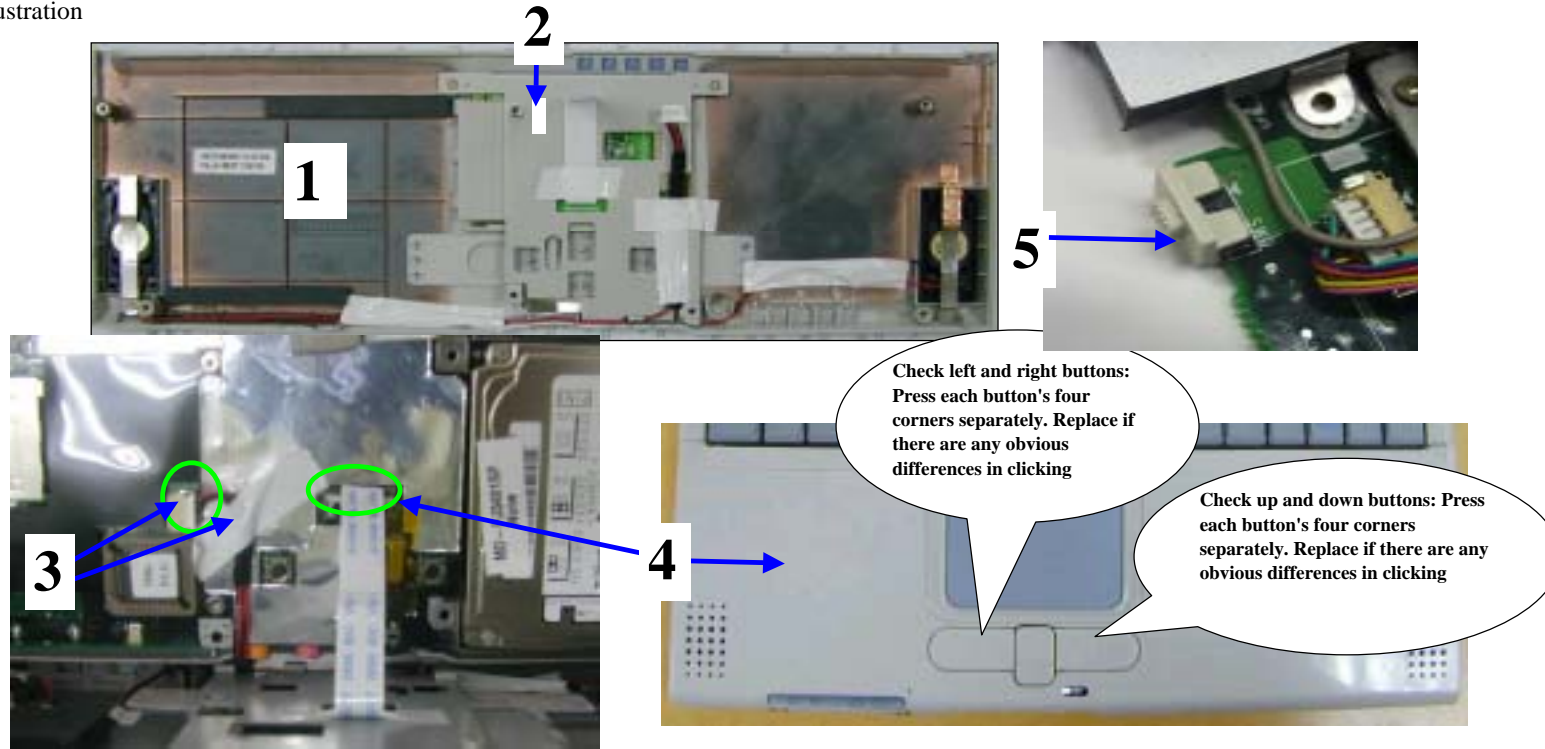
Explanation of illustration



Difference	Operating Item	Part name/specification	Part/number	QTY	Operation description	Important note	Jig/fixture
	1	WIRELESS LEN MODULE	76-070005-00	1	Plug wireless card wire into M/B. Attach KEY PARTS LABEL and PRODUCT BAR CORD LABEL on M/B as shown in diagram. Wipe BARCODE	NA	BAR CODE machine
		KEY PARTS LABEL	63-250190-00	1			
		PRODUCT BAR CORD LABEL	63-000710-00	1			
	2	NA	NA	1	Plug wireless antenna into transmission card as shown in diagram.	Connect as shown in diagram.	NA
	3	P22T rubber for wireless	52-003091-00	2	Attach 2 rubber pieces to wireless card as shown in diagram	When attaching rubber, do cover card's edge or card's electrical parts.	NA
	4	SCREW ISOT-M2X3L-SELF-LOCKING	41-721520-03	2	Tighten two screws (M2X3) on wireless transmission card and fix it on M/B	When tightening, make sure rubber doesn't not extend over card's edge	Electrical screwdriver/Torque: 1.5±0.5Kgf-cm
	5	Tape, narrow size (around 3~4cm)	61-080022-00	2	Attach 2 pieces of tape to fix wires as shown in diagram.	Wires must be attached flat on board; do not band	NA

Name of S.O.P : efiol121A System Ass'y SOP	Working name: 7008	Revision: 1	Date: 2003.10.14	(Manufacturing Section): PE
--	--------------------	-------------	------------------	-----------------------------

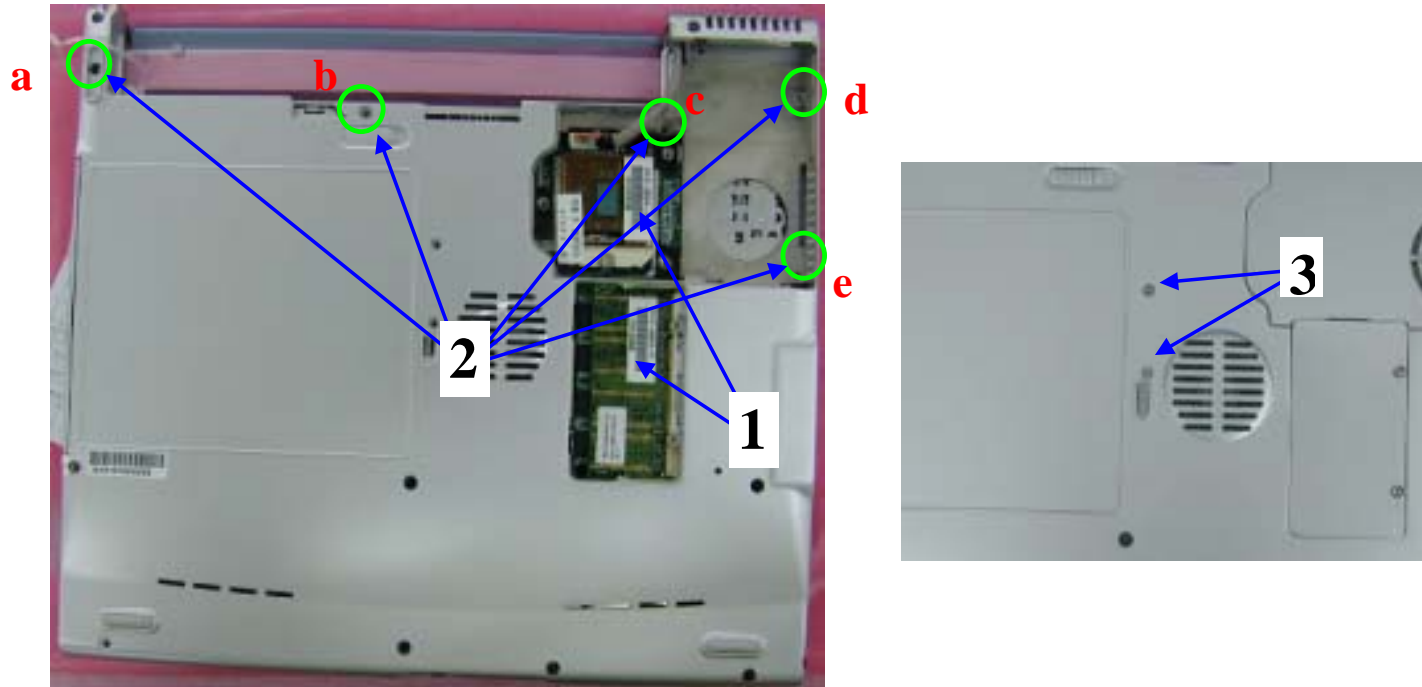
Explanation of illustration



Difference	Operating Item	Part name/specification	Part/number	QTY	Operation description	Important note	Jig/fixture
	1	D212A-#8028 PALM REST KIT-W/WIRELESS LAN	77-636009-10	1	Check appearance to make sure there are no scratches or damage	NA	NA
	2	Date mark	63-000042-XX	0	Attach date mark to palm rest panel's iron part as shown in diagram.	NA	NA
	3	Tape (約2~3cm)	61-080022-00	1	Connect SPEAKER wires to M/B CONN; fix with tape.	Wires need to be arranged in a straight line and not interfere with iron parts	膠台
	4	NA	NA	1	Connect PALM REST TOUCHPAD's wires to M/B; insert PALM REST into BASE and make sure K/B wires are not visible.	Insert FFC. If there is rugged edge on LOWER COVER hook, tidy it up it before assembling	鑷子
	5	D212A-CAP FOR WL SWITCH-#8735	50-041100-10	1	Connect CAP to M/B's connector as shown in diagram.	Note arrangement of CAP wires; arrange wires as shown in diagram.	NA
		P22AU-CAP FOR WL SWITCH-#8028	50-041100-00				

Name of S.O.P : efiol121A System Ass'y SOP	Working name: 7058	Revision: 0	Date: 2003.09.01	(Manufacturing Section): PE
--	--------------------	-------------	------------------	-----------------------------

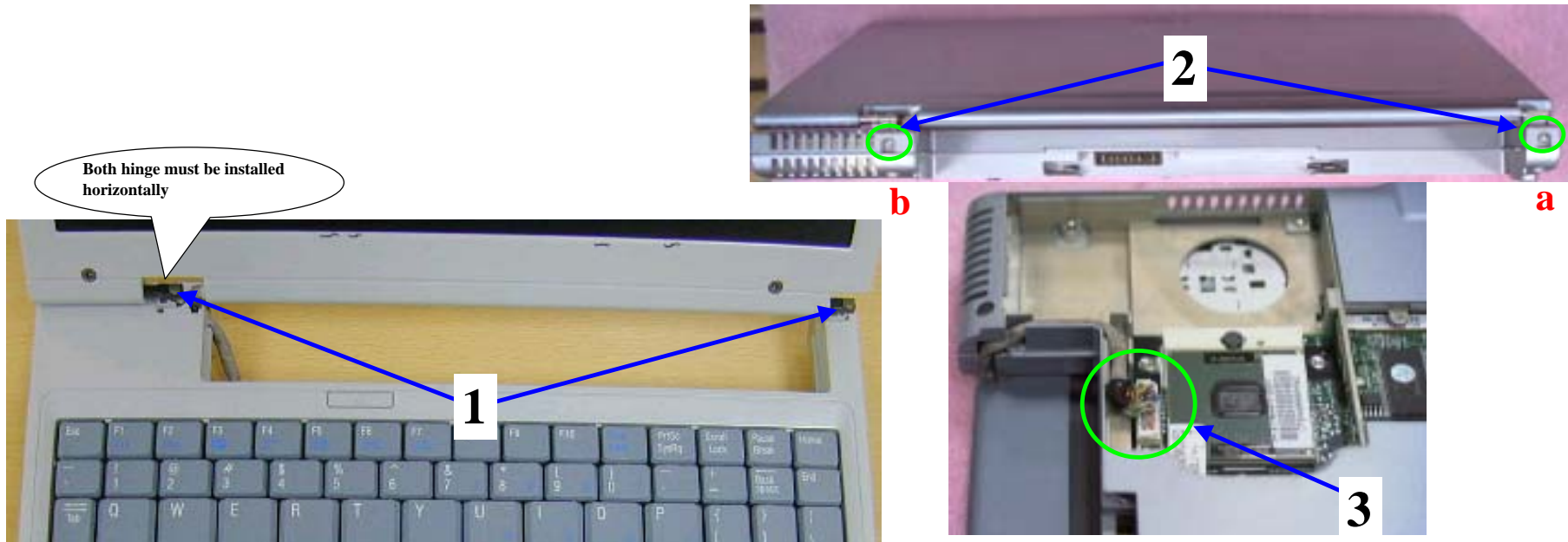
Explanation of illustration



Difference	Operating Item	Part name/specification	Part/number	Q'TY	Operation description	Important note	Jig/fixture
	1	NA	NA	1	Wipe CPU and Barcode product labels	NA	Bar code machine
	2	SCREW ISOP M2.0 X 6.0L	41-850520-06	5	Tighten 5 screws on LOWER COVER in a.b.c.d.e order as shown in diagram.	NA	Electrical screwdriver/Torque: 1.5±0.5Kgf-cm
	3	SCREW ISOT M2.0 X 3.0L	41-721520-03	2	Tighten 2 screws on bottom cover as shown in diagram.	NA	Electrical screwdriver/Torque: 1.5±0.5Kgf-cm

Name of S.O.P : efiol121A System Ass'y SOP	Working name: 7009	Revision: 1	Date: 2003.10.14	(Manufacturing Section): PE
--	--------------------	-------------	------------------	-----------------------------

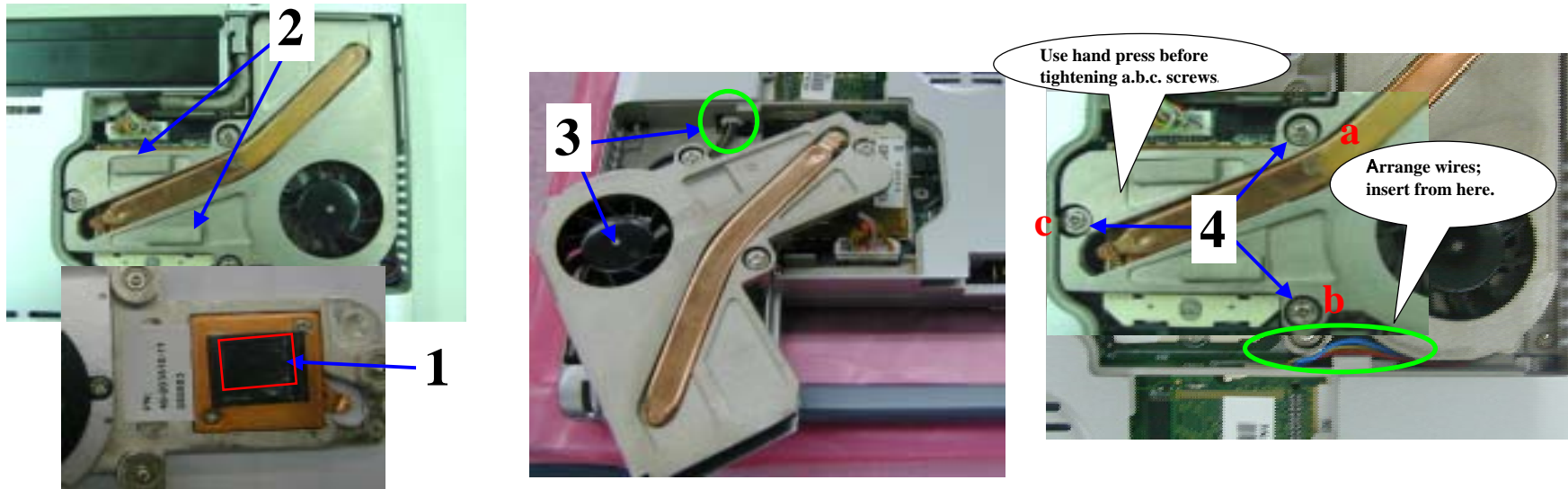
Explanation of illustration



Difference	Operating Item	Part name/specification	Part/number	Q'TY	Operation description	Important note	Jig/fixture
	1	#8028 DISPLAY ASS'Y-12.1" XGA TFT-FOR HYDIS-D21	86-636905-10	1	Take LCD, wipe BARCODE and install LCD MODULE on BASE MODULE	Do not damage upper cover when assembling. When installing LCD, make sure both hinges are installed at the same angle	bar code machine
	2	SCREW ISOP M2.0 X 6.0L	41-850520-06	2	Tighten HINGE SCREW on upper cover in a.b. order as shown in diagram. Open LCD at both hinges and shake 3-4 times before tightening.	Before locking the screws, make sure the LCD does not rise up at an angle to the base	Electrical screwdriver/Torque: 2.0±0.5Kgf-cm
	3	NA	NA	1	Arrange wires: Place LCD's wires under bottom dent; connect LCD wires to M/B.	Arrange wires as shown in diagram.	N/A

Name of S.O.P : efiol121A System Ass'y SOP	Working name: 7010	Revision: 2	Date: 2003.10.14	(Manufacturing Section): PE
--	--------------------	-------------	------------------	-----------------------------

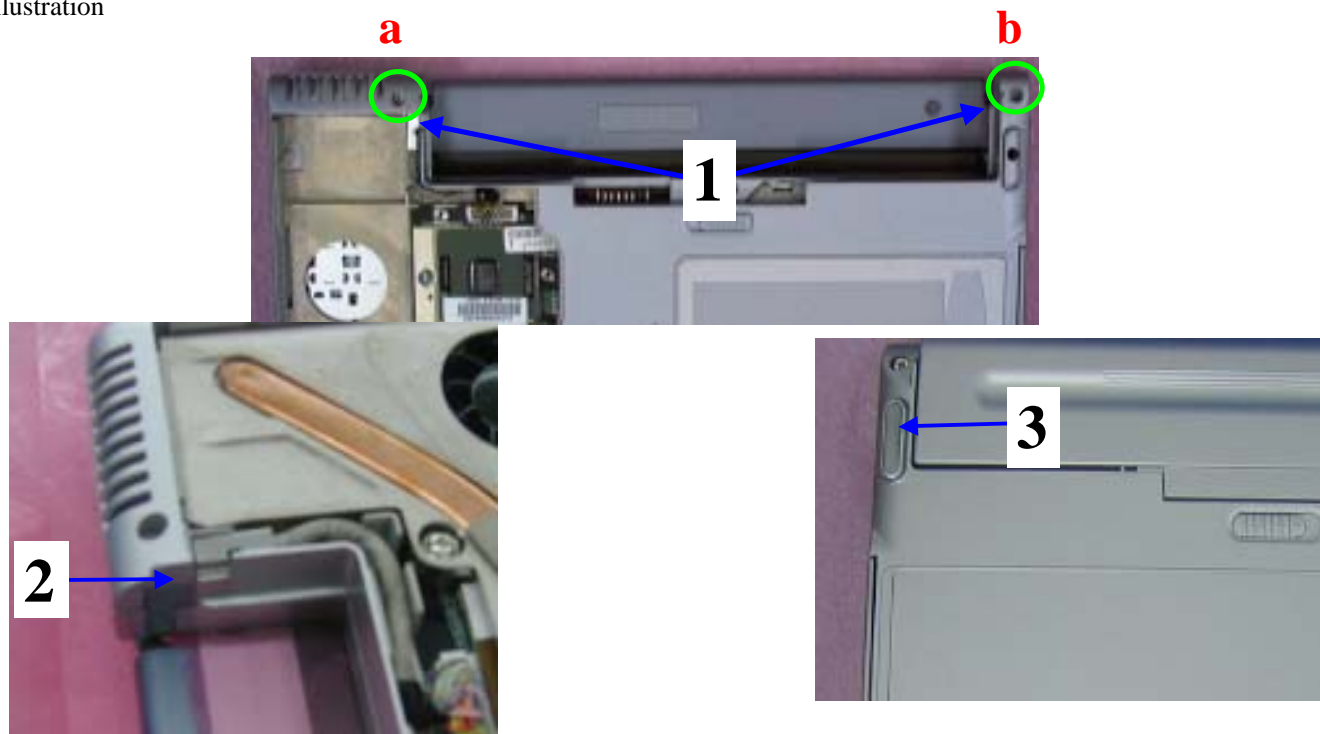
Explanation of illustration



Difference	Operating Item	Part name/specification	Part/number	QTY	Operation description	Important note	Jig/fixture
	1	Heatsink for CPU fan	27-330000-00	1	Attach a heatsink onto CPU fan.	Make sure heatsink's size is same as red marked area as shown in diagram.	NA
	2	CONDUCTIVE SPONGE (5-2-15mm)	51-350094-01	2	Attach two conductive sponges to fan as shown in diagram.	NA	NA
	3	P22AJ-HEATSINK MODULE W/FAN-SCREW THREAD=2.2mm	40-003510-11	1	Take HEAT SINK MODULE and connect wires on M/B. Fix with 3 spring screws in a.b.c order; arrange wires as shown in diagram.	Arrange wires beside fan; do not let fan cover wires as shown in diagram.	NA
	4	NA	NA	3			

Name of S.O.P : efiol121A System Ass'y SOP	Working name: 7011	Revision: 0	Date: 2003.09.01	(Manufacturing Section): PE
--	--------------------	-------------	------------------	-----------------------------

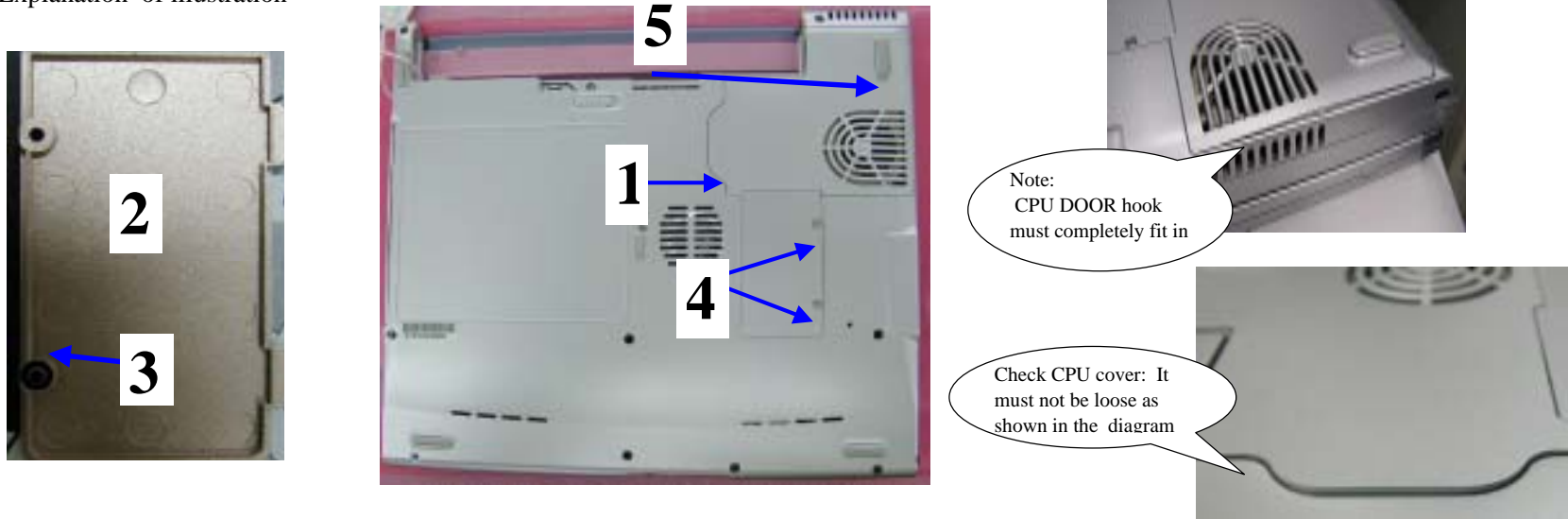
Explanation of illustration



Difference	Operating Item	Part name/specification	Part/number	Q'TY	Operation description	Important note	Jig/fixture
	1	SCREW ISOT M2.6 X 5.0L	41-721526-05	2	Lock HINGE SCREW on bottom cover in a.b. order as shown in diagram.	Screws must lock tight.	Electrical screwdriver/Torque: 2.5±0.5Kgf-cm
	2	N222S1-HARNESS COVER	40-002311-00	1	Assemble Harness cover on LCD wires as shown in diagram.	Do not damage bottom cover.	NA
	3	P22AJ-RUBBER FOOT-PANTONE 428C	52-000000-20	1	Attach RUBBER FOOT to fillister.	N/A	NA

Name of S.O.P : efiol121A System Ass'y SOP	Working name: 7060	Revision: 1	Date: 2003.09.01	(Manufacturing Section): PE
--	--------------------	-------------	------------------	-----------------------------

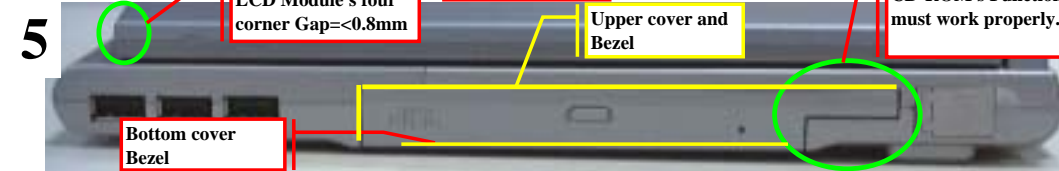
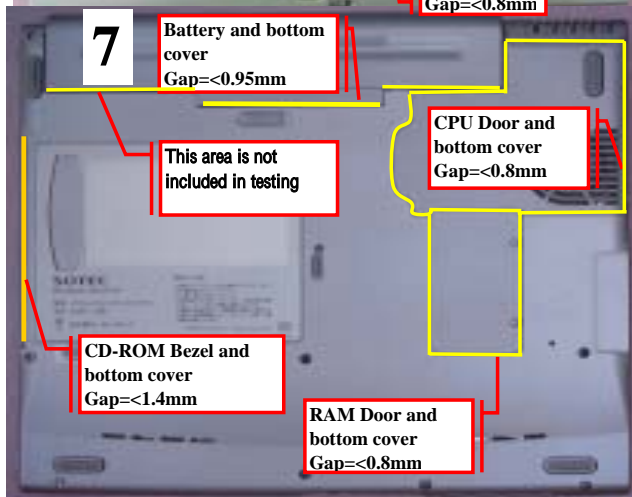
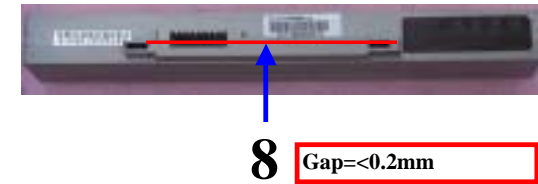
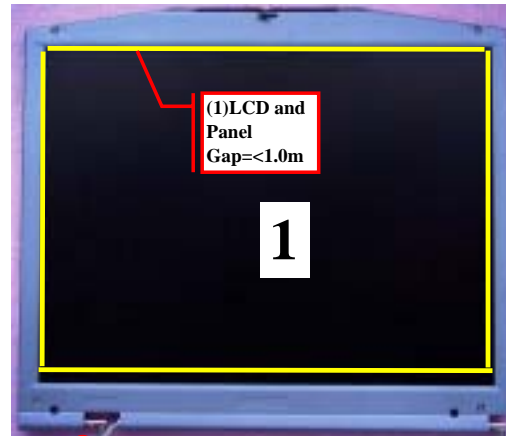
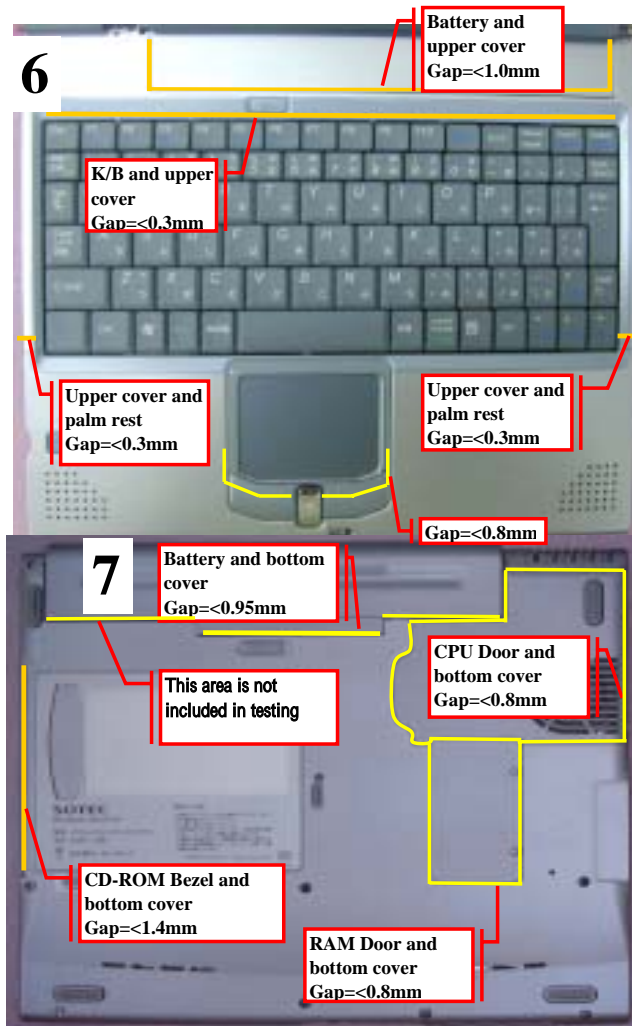
Explanation of illustration



Difference	Operating Item	Part name/specification	Part/number	Q'TY	Operation description	Important note	Jig/fixture
	1	P22AJ-CPU DOOR ASS'Y	50-963001-20	1	Install CPU DOOR into BASE MODULE as shown in diagram	Make sure the CPU DOOR completely lodged in.	NA
	2	P22AJ-RAM DOOR	50-022150-70	1	Install RAM DOOR	NA	NA
	3	D212A-MYLAR FOR RAM DOOR-BLACK	50-023421-00	1	Attach Mylar as shown in diagram.	NA	NA
	4	SCREW ISOP M2.0 X 3.0L	41-721520-03	2	Tighten two screws on ram door as shown in diagram.	NA	Electrical screwdriver/Torque: 1.0±0.5Kgf-cm
	5	P22AJ-RUBBER FOOT-PANTONE 428C	50-000000-20	1	Attach rubber foot to fillister	N/A	NA

Name of S.O.P : efi0121A System Ass'y SOP Working name: Revision: 0 Date: 2003.09.01 (Manufacturing Section): PE

Explanation for illustration





Twinhead International Corp.

efio!121A (Complete set) Instruction Manual		DOCUMENT CODE:TESOP284	
		REVISION: 0	
		RELEASE DATE:	
		PAGE: 11 (total 11 page)	
DESCRIPTION	PREPARED BY	CONCURRED BY	APPROVED BY
1. NEW RELEASE	PE:		

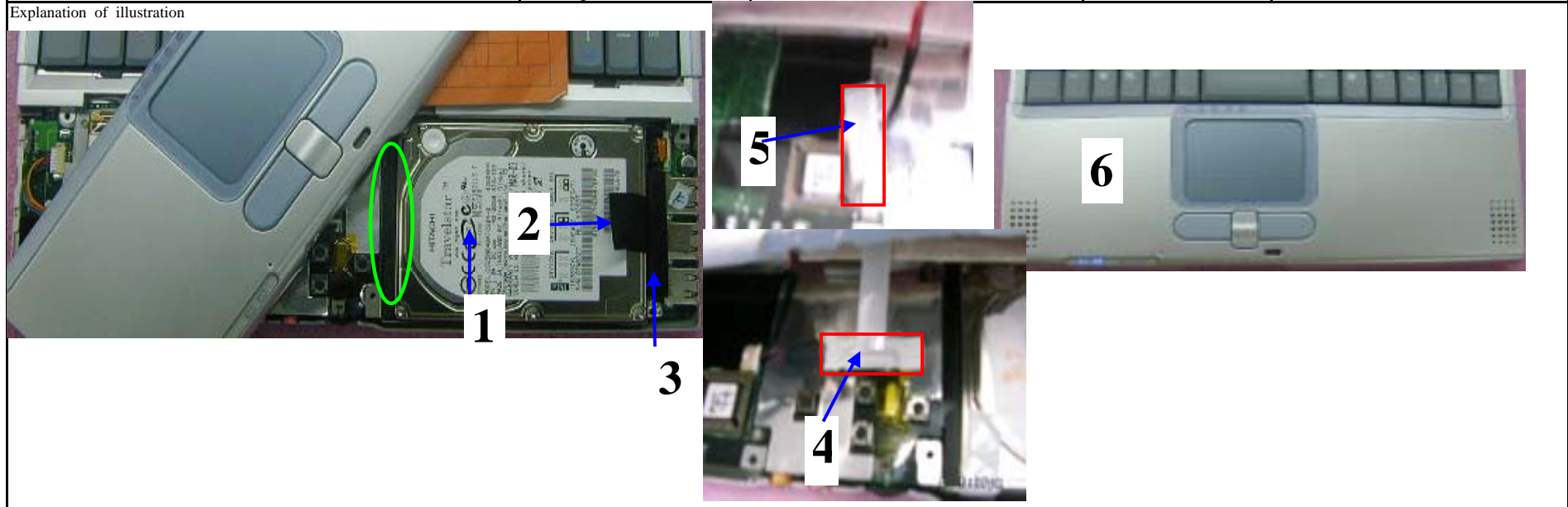


Twinhead International Corp.

(Document NO.): TESOP284

efio!121A(Complete set) Packaging instruction manual		Page/Version:							
		REV: 0							
		Page	Version	Page	Version	Page	Version	Page	Version
1.Instruction manual	P.01	1	0						
2.Fabricated material setup instructions	p.02~p011	2	0						
		3	0						
		4	0						
		5	0						
		6	0						
3.Tool-Screwdriver, scotch tape		7	0						
		8	0						
		9	0						
		10	0						
		11	0						
BOM calls for real fabric; the numbers in the S.O.P are for reference only									
This manual is for efio!121A model 2-IN-1(Complete set) Packaging instruction manual									

Name of S.O.P:efio!121A Final Ass'y S.O.P	Working name: 9101-1	Revision: 0	Date: 2003.09.08	(Manufacturing Section: PE
---	----------------------	-------------	------------------	----------------------------



Difference	Operating Item	Part name/specification	Part/number	Q'TY	Operation description	Important note	Jig/fixture
	1	HDD ASS'Y	86-630004-XX	1	Install HDD	Make sure HDD is plugged into M/B	NA
	2	NA	NA	1	Adhere HDD rack's scotch tape on HDD surface as shown in the diagram	NA	NA
	3	HDD RUBBER	52-002020-00	1	Assemble HDD's rubber beside HDD as shown in the diagram	NA	NA
	4	tape	61-080022-00	1	Attach scotch tape near bus line and M/B as shown in the diagram	NA	NA
	5	tape	61-080022-00	1	Attach scotch tape near bus line and M/B as shown in the diagram	NA	NA
	6	NA	NA	1	Assemble palm rest on the machine; make sure palm rest's connection line is not lost.	NA	NA



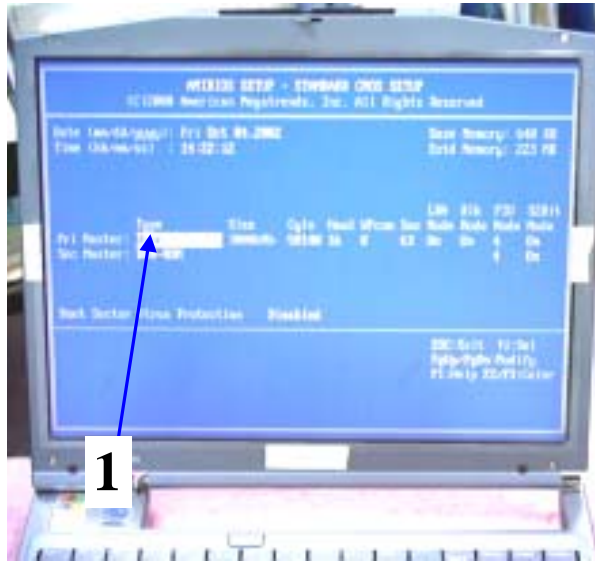
Twinhead International Corp.

(Twinhead S.O.P)

(Document NO):TESOP284

Name of S.O.P: efio!121A Final Ass'y S.O.P	Working name : 9101-2	Revision: 0	Date: 2003.09.08	(Manufacturing Section) : PE
--	-----------------------	-------------	------------------	------------------------------

Explanation of illustration

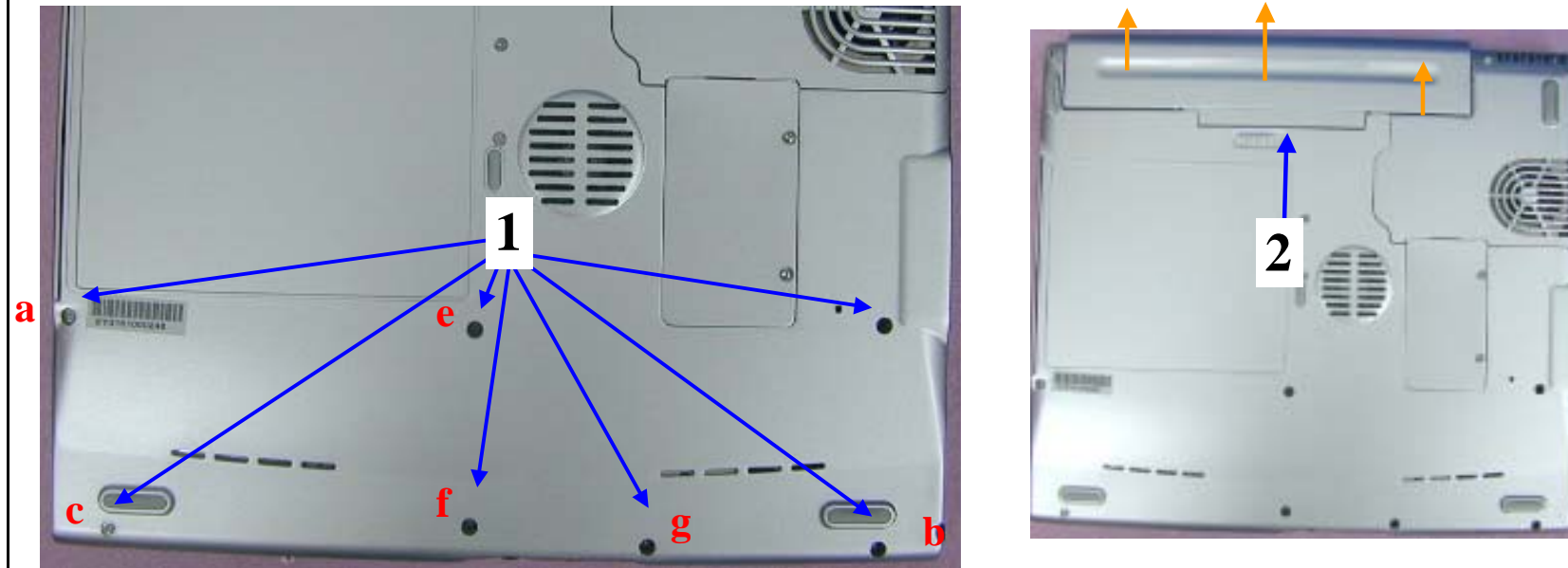


Difference	Operating Item	Part name/specification	Part/number	Q'TY	Operation description	Important note	Jig/fixture
	1	NA	NA	NA	Start up machine; enter BIOS setup screen and make sure HDD is listed	According to testing instruction manual	NA

(Twinhead S.O.P)

Name of S.O.P: efio!121A Final Ass'y S.O.P	Working name : 9101-3	Revision: 0	Date: 2003.09.08	(Manufacturing Section): PE
--	-----------------------	-------------	------------------	-----------------------------

Explanation of illustration



Difference	Operating Item	Part name/specification	Part/number	QTY	Operation description	Important note	Jig/fixture
	1	SCREW ISOP M2X6L	41-850520-06	7	Tighten screws in in proper order: a.b.c.d.e.f.g as shown in the diagram	NA	Electrical screwdriver/torque: 1.5± 0.5Kgf-cm
	2	BAT-LIION-3S2P-2KmAh	23-050000-23	1	Remove battery horizontally	Horizontally remove it	NA

(Twinhead S.O.P)

Name of S.O.P:efio121A Complete set Ass'y SOP	Working name:	Revision: 0	Date: 2003.09.08	(Manufacturing Section): PE
---	---------------	-------------	------------------	-----------------------------

Explanation of illustration

For specific spec. Pls refer to Quality assurance standard

Pls refer to Quality assurance standard

Name of S.O.P. : efio!121A Complete set Ass'y SOP	Working name : 9101-5	Revision: 0	Date: 2003.09.08	(Manufacturing Section): PE
---	-----------------------	-------------	------------------	-----------------------------

Explanation of illustration

Difference	Operating Item	Part name/specification	Part/number	Q'TY	Operation description	Important note	Jig/fixture
	1	SCREW RUBBER	52-002021-00	2	Attach as shown in diagram a and b	Press the RUBBER into the fillister, ensure the RUBBER cannot be scarred.	NA
	2	D212A-HINGE COVER L	50-035142-30	1	Assemble HINGE CAP L,R at left and right sides of BASE MODULE as shown in the diagram	When assembling, right hinge cap must fit it in at an angle; To prevent hinge breakage, DO NOT fit in vertically!	NA
		D212A-HINGE COVER R	50-035141-30	1			



Twinhead International Corp.

(Twinhead S.O.P)

(Document NO):TESOP284

Name of S.O.P. :efio!121A Complete setAss'y SOP	Working name : 9101-6	Revision: 0	Date: 2003.09.08	(Manufacturing Section): PE
---	-----------------------	-------------	------------------	-----------------------------

Explanation of illustration



Difference	Operating Item	Part name/specification	Part/number	QTY	Operation description	Important note	Jig/fixture
Part number according to BOM	1	D212A-LCD FRONT PLATE-ID1-FOR TWINHEAD	40-006121-00	1	Attach LCD COVER pit: Direction is as per client's request	NA	NA



Twinhead International Corp.

(Twinhead S.O.P)

(Document NO):TESOP284

Name of S.O.P: efio!121A Complete set Ass'y SOP	Working name:9101-7	Revision: 0	Date: 2003.09.08	(Manufacturing Section): PE
--	---------------------	-------------	------------------	-----------------------------

Explanation of illustration

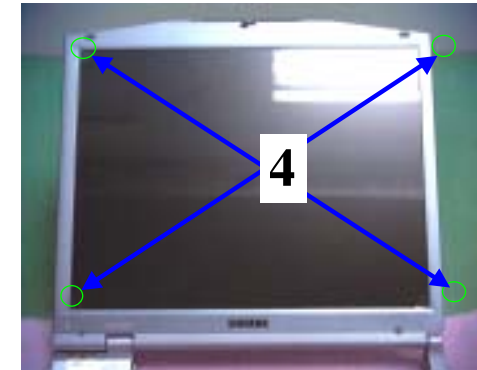
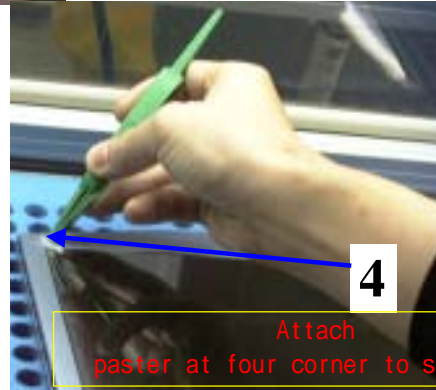
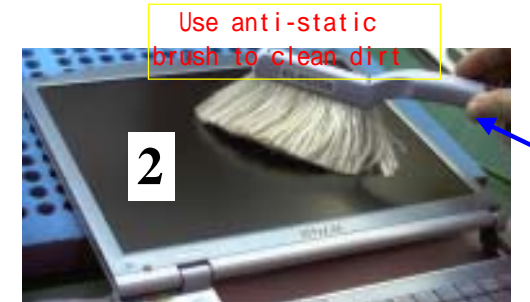


Difference	Operating Item	Part name/specification	Part/number	Q'TY	Operation description	Important note	Jig/fixture
	1	ALL MODEL-LOGO STICKER ON N/B FOR WIN XP	63-000538-30	1	Attach PALM REST in right upper corner beside the INTEL STICKER as shown in the diagram	NA	NA
	2	D212A-FCC LABEL SYSTEM-C3435-FOR GENERIC	63-040100-Q0	1	Attach of front side of palm rest. Do not cover TOUCH PAD's edge	NA	NA
Part number according to BOM	3	D212A-LABEL FOR 2003 TAIWANESE MARKET	63-000823-B0	1	Attach label at the bottom of the machine as shown in the diagram	NA	NA

(Twinhead S.O.P)

Name of S.O.P: N222S8P Final Ass'y S.O.P	Working name: Paste protective cover	Revision: 0	Date: 2003.09.08	(Manufacturing Section): PE
--	--------------------------------------	-------------	------------------	-----------------------------

Explanation of illustration



Difference	Operating Item	Part name/specification	Part/number	QTY	Operation description	Important note	Jig/fixture
	1	P22AJ-PROTECTIVE SHEET PLATE	50-000203-00	1	Tear off plastic paper on protective spacer	Do not touch the surface of the protective spacer	NA
	2	NA	NA	NA	Use anti-static brush to remove dirt	Brush GENTLY; do not damage the LCD screen	NA
	3	NA	NA	1	Place LCD protective spacer on LCD screen	Center protective spacer; Make sure no dust is on spacer	NA
	4	N222S8PII-CLEAR LABEL	63-000940-00	4	Attach paster at four corners to stabilize protective spacer	Do not directly touch protective spacer .	Plastic clip

(Twinhead S.O.P)

Name of S.O.P:efio!121A Final Ass'y S.O.P	Working name :	Revision: 0	Date: 2003.09.08	(Manufacturing Section): PE
---	----------------	-------------	------------------	-----------------------------

Explanation of illustration

(1)LCD Front

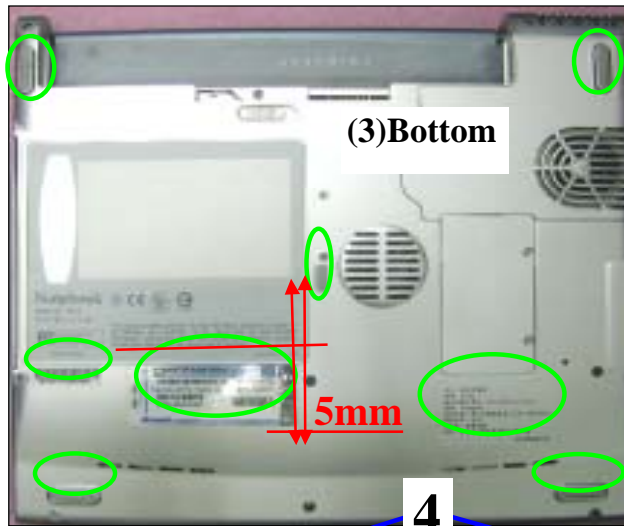


(2)Front side left corner

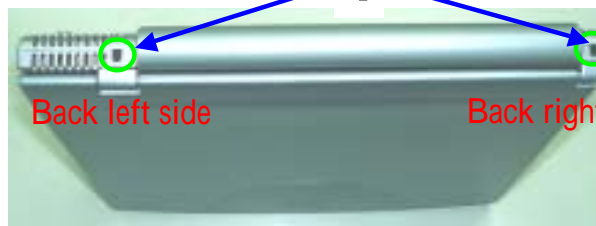


Adjust volume control to loudest level

(3)Bottom



4



(5)Front



Difference	Operating Item	Part name/specification	Part/number	Q'TY	Operation description	Important note	Jig/fixture
	1	LCD LOGO	NA	0	Check the position on LCD	NA	NA
	2	Function key and VR felling	NA	0	Make sure LOCK SWITCH KEY is in the locked position, check function key VR joint	NA	NA
	3	機台底部	NA	0	Check bottom, rubber and label	NA	NA
	4	Screw Rubber Pad	NA	0	Check screw's rubber pad	NA	NA
	5	機台正面	NA	0	Check position of front side labels	NA	NA



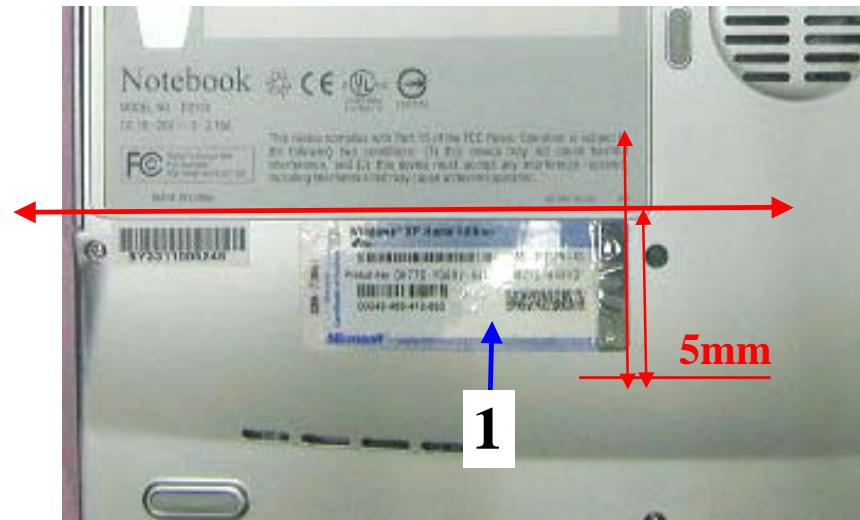
Twinhead International Corp.

(Twinhead S.O.P)

(Document NO):TESOP284

Name of S.O.P: efio121A Complete set Ass'y SOP	Working name:9101-10	Revision: 0	Date: 2003.09.08	(Manufacturing Section): PE
--	----------------------	-------------	------------------	-----------------------------

Explanation of illustration



Difference	Operating Item	Part name/specification	Part/number	QTY	Operation description	Important note	Jig/fixture
Part number according to BOM	1	N222S8P-MICROSOFT COA STICKER-FOR WINXP HOME EDITION	63-910115-41	1	Attach COA LABEL as diagram shows; make certain COA serial no. is visible	Do not cross over red line when attaching the label	NA



Twinhead International Corp.

DESCRIPTION		PREPARED BY	CONCURRED BY	APPROVED BY
1. NEW RELEASE		PE:	QA:	

efio!121A (CARRYING BAG) Packaging Instruction Manual	DOCUMENT CODE: TESOP029
	REVISION: 0
	RELEASE DATE:
	PAGE: 5 (total 5 page)



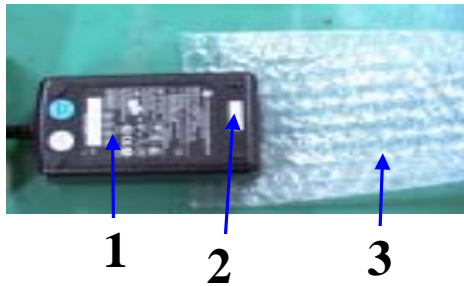
Twinhead International Corp.

(Twinhead S.O.P)

(Document NO): TESOP

Name of S.O.P: efio!121A Carry Bag PACKING Ass'y SOP Working name: 9001-1 Revision: 0 Date: 2003.08.08 (Manufacturing Section): PE

Explanation of illustration



Difference	Operating Item	Part name/specification	Part/number	Q'TY	Operation description	Important note	Jig/fixture
	1	ADAPTER-20V-60W	76-010562-00	1	Check appearance to make sure the part is not scratched	Operate according to BOM	NA
	2	DATE CODE LABEL	63-000042-XX		Attach the LABEL as shown in the diagram		
	3	NA	NA		Use factory provided plastic bag, put the ADAPTER in		
	4	POWER CORD FOR US/PL/KR/C	29-020181-10		Check appearance to make sure the part is not scratched	NA	



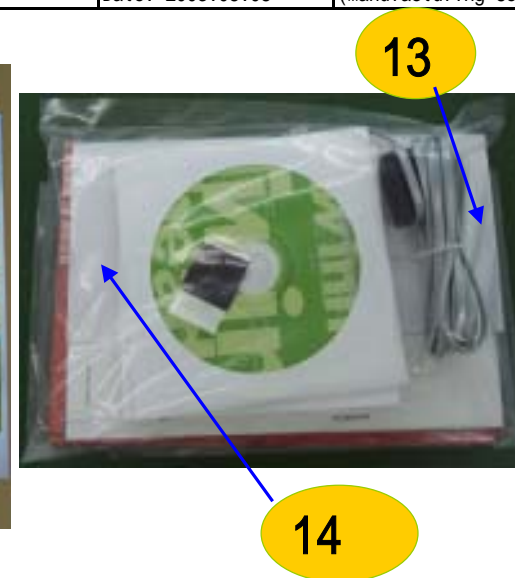
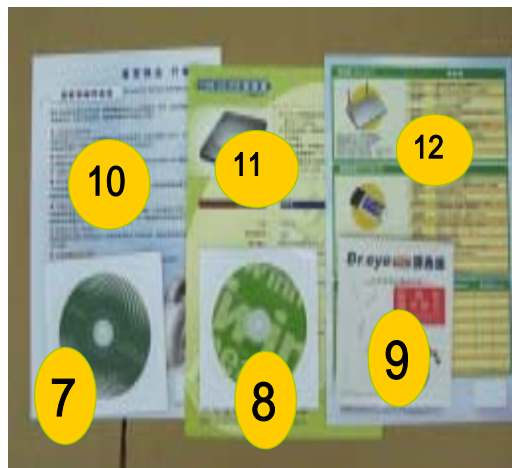
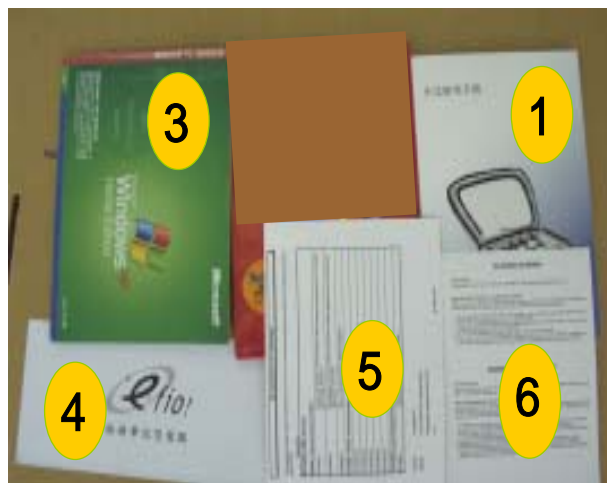
Twinhead International Corp.

(Twinhead S.O.P)

(Document NO): TESOP

Name of S.O.P: efiol121A Carry Bag PACKING Ass'y SOP Working name: 9001-2 Revision : 0 Date: 2003.08.08 (Manufacturing Section): PE

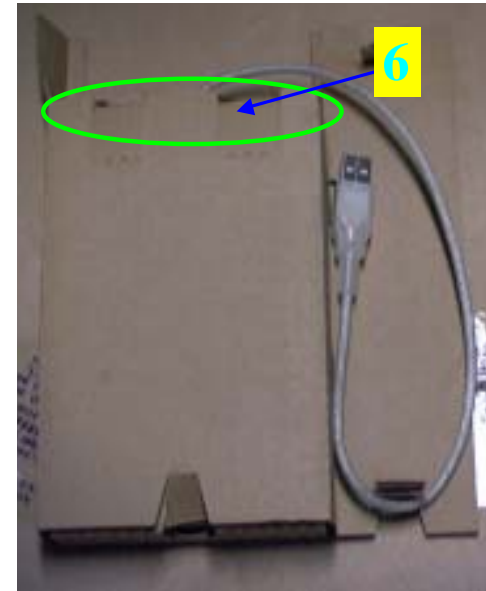
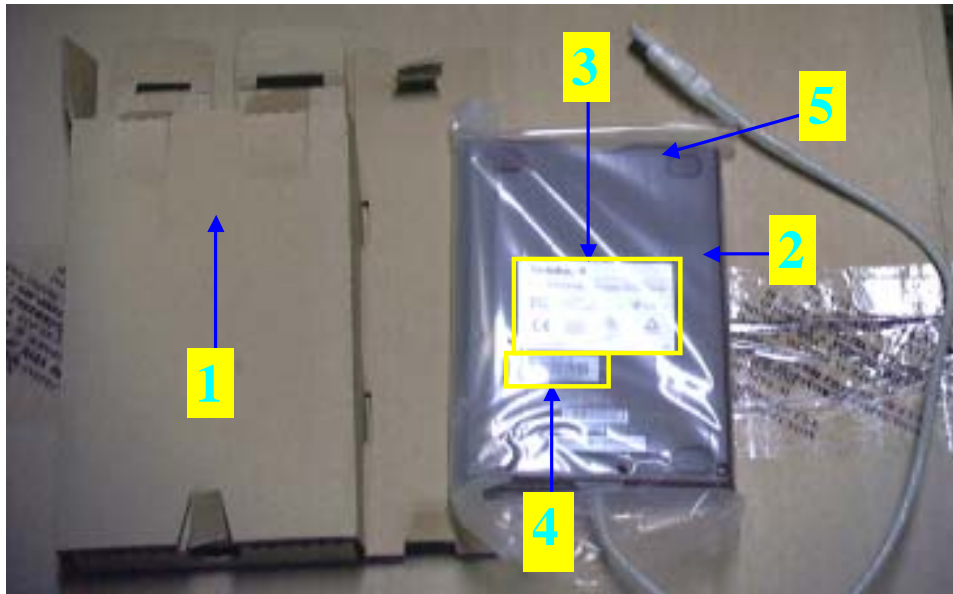
Explanation of illustration



Difference	Operating Item	Part name/specification	Part/number	Q'TY	Operation description	Important note	Jig/fixture	
	1	USER'S MANUAL-TW-R:01	62-030150-01	1	Check appearance to make sure the items are not scratched	The specific LIST according BOM	NA	
	3	MICROSOFT MANUAL	62-10B001-30					
	4	CUSTOMER FEEDBACK LIST-TW	62-090010-10					
	5	CD TABLE SHEET -US-R:00	62-400210-00					
	6	UL CAUTION SHEET-US/FR	62-600237-01					
	7	RECOVERY CD FOR DRIVE	70-140372-00					
	8	RECOVERY CD FOR HDI-TW	70-140370-00					
	9	DR. EXE 2002 CD	70-140470-10					
	10	CATALOG CHINESE TRADITIONAL-TWINHEAD AGENCY PRODUCTS-VER 1.0-ALL M	62-090122-00					
	11	CATALOG CHINESE TRADITIONAL-TWINHEAD FAMILY-VER 1.0-ALL MODEL	62-090120-00					
	12	CATALOG CHINESE TRADITIONAL-TWINHEAD WIRELESS PRODUCTS-VER 1.0-ALL	62-090121-00					
	13	modem cable	29-130244-00					
	14	PLASTIC BAG 35cmX25cm FOR CD/MUN	60-010070-00					Place all items in lists 1-9 &13 into PE BAG and seal with scotch tape

Name of S.O.P: efio!121A Carry Bag PACKING Ass'y SOP	Working name: 9001-3	Revision : 0	Date: 2003.08.08	(Manufacturing Section): PE
--	----------------------	--------------	------------------	-----------------------------

Explanation of illustration



Difference	Operating Item	Part name/specification	Part/number	Q'TY	Operation description	Important note	Jig/fixture
	1	PAPER CUSHION FOR EX-FDD	61-007050-00	1	Assemble the box as shown in the diagram	NA	NA
	2	USB FDD	70-113144-10		Check appearance to make sure the part is not scratched.	If customer do not purchase FDD, skip the following steps	
	3	FCC LABEL FDD TWINHEAD	63-040101-00		Attach the LABEL as shown in the diagram		
	4	KEY PARTS LABEL	63-000042-XX		Attach the LABEL as shown in the diagram		
	5	PE-BAG 200X150mm	60-010026-00		Place FDD into plastic bag		
	6	NA	NA		0	Place FDD into box and position it well.	



Twinhead International Corp.

(Twinhead S.O.P)

(Document NO): TESOP

Name of S.O.P: efiol121A Carry Bag PACKING Ass'y SOP	Working name: 9001-4	Revision: 0	Date: 2003.08.08	(Manufacturing Section): PE
--	----------------------	-------------	------------------	-----------------------------

Explanation of illustration



Difference	Operating Item	Part name/specification	Part/number	Q'TY	Operation description	Important note	Jig/fixture
	1	CARRY BAG-W/T/H LOGO	60-040081-12	1	Check appearance to make sure the bag is not scratched or damaged.	NA	NA
	2	MOS LABEL	63-000610-00	1	Attach the LABEL as shown in the diagram		
	3	NA	NA	0	Put the accessories into CARRYING BAG shown in the diagram		
	4	NA	NA	NA	Close and zip up the bag		



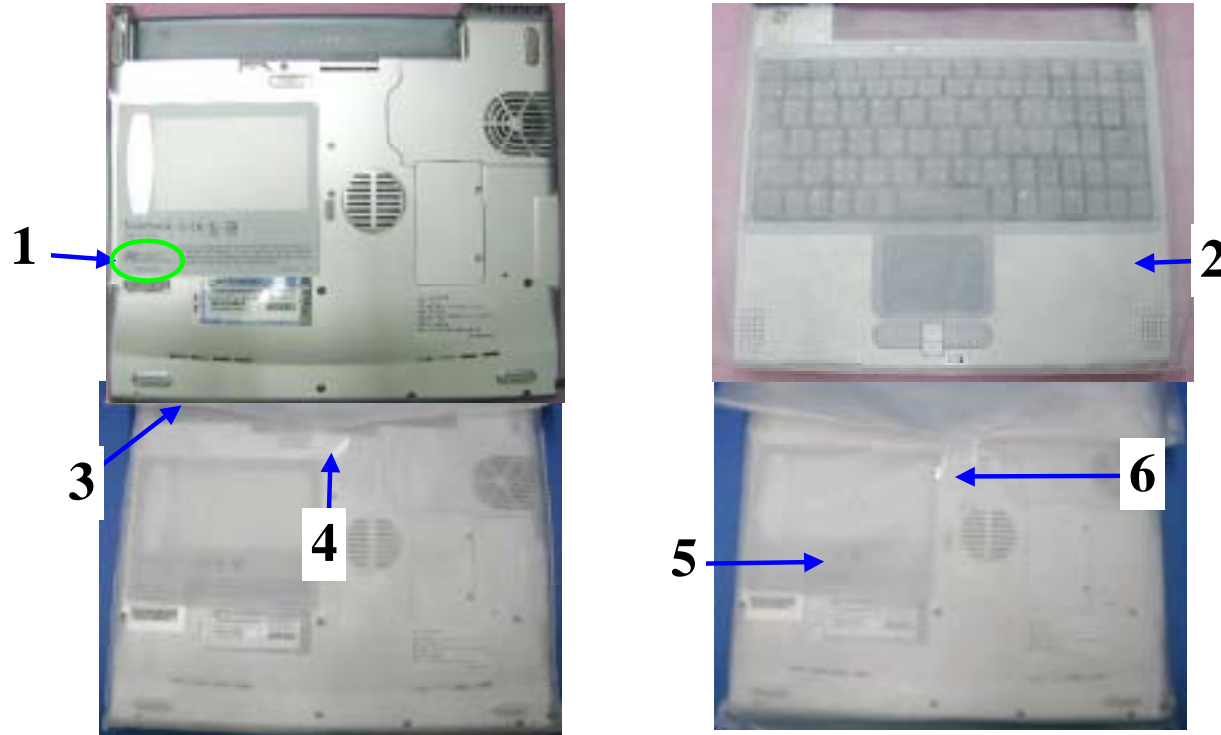
Twinhead International Corp.

DESCRIPTION		PREPARED BY	CONCURRED BY	APPROVED BY
1. NEW RELEASE		PE:	NA	

efio!121A 2-IN-1 Packing S.O.P.	DOCUMENT CODE: TESOP285
	REVISION: 0
	RELEASE DATE:
	PAGE: 8 (total 8 page)

Name of S.O.P.: efio!121A 2-IN-1 packing SOP	Working name: 9102 9501-1	Revision: 0	Date: 2003.09.08	(Manufacturing Section): PE
---	------------------------------	-------------	------------------	-----------------------------

Explanation of illustration



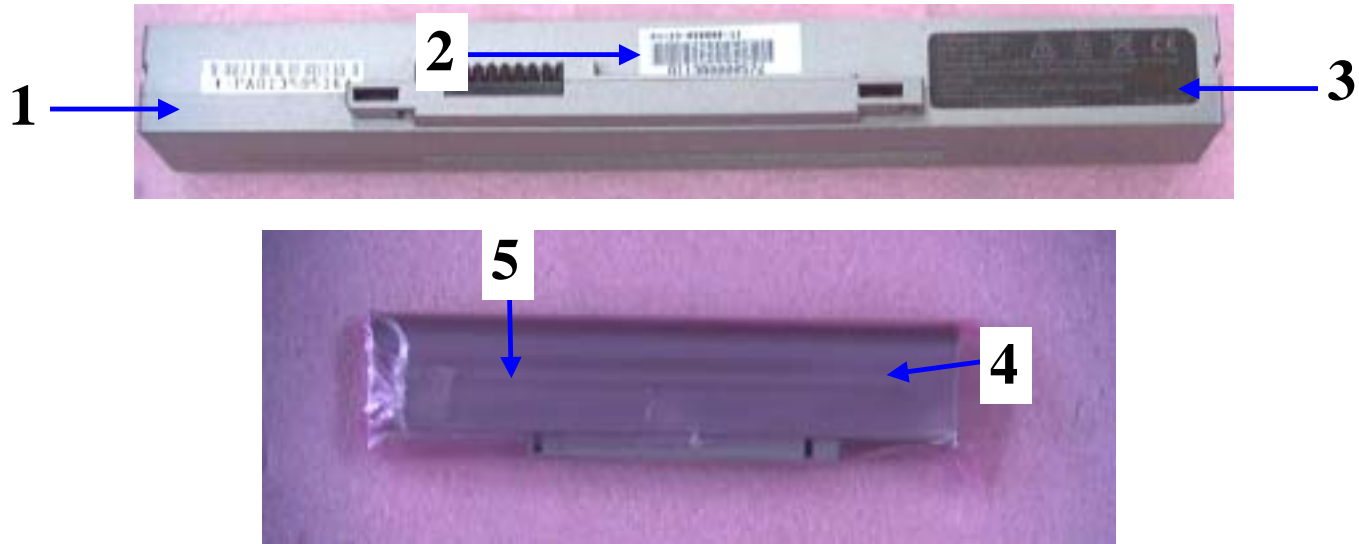
Difference	Operating Item	Part name/specification	Part/number	Q'TY	Operation description	Important note	Jig /fixture
	1	NA	NA	0	Double check the serial numbers. Numbers on the machine and procedures card should be the same	NA	NA
	2	PROTECTION PAPER FOR K/B	61-015060-00	1	Place K/B protective cotton sheet on the machine	The dent of the sheet must align with machine's dent	NA
	3	PROTECTION PAPER FOR SYSTEM	61-015061-00	1	Place the machine into protective cotton bag	NA	NA
	4	Scotch tape (3CM)	27-319005-00	1	Cut 3CM scotch tape and seal the bag	NA	NA
	5	PE BAG 400X285mm FOR PEGASUS	60-010067-00	1	Place the machine into PE bag; LCD panel hook must face down when placed in	NA	NA
	6	Scotch tape (3CM)	27-319005-00	1	Cut 3CM scotch tape and seal the bag	NA	NA

(Twinhead S.O.P)

(Document NO): TESOP285

Name of S.O.P.: efiol121A 2-IN-1 packing SOP Working name: 9501-2 Revision : 0 Date: 2003.09.08 (Manufacturing Section): PE

Explanation of illustration



Difference	Operating Item	Part name/specification	Part/number	Q'TY	Operation description	Important note	Jig/fixture
According to BOM	1	BAT-LIION-3S2P-2KmAh	23-050000-23	1	Check machine's appearance; make sure there are no scratches.	NA	NA
	2	KEY PARTS LABEL	63-250190-00	1	Stick the LABEL and BARCODE on the battery as shown in the diagram	According to BOM	BARCODE machine
According to BOM	3	N222S1-BATTERY LABEL 6 CELL FOR PS	63-040103-12	1	Stick the LABEL on the battery as shown in the diagram	According to BOM	NA
	4	ANTI STATIC BAG 270X50mm	60-030005-00	1	Place the battery into the anti-static bag	The battery must fit machine model	NA
	5	Scotch tape(3CM)	27-319005-00	1	Use scotch tape 3CM to seal the bag	NA	NA



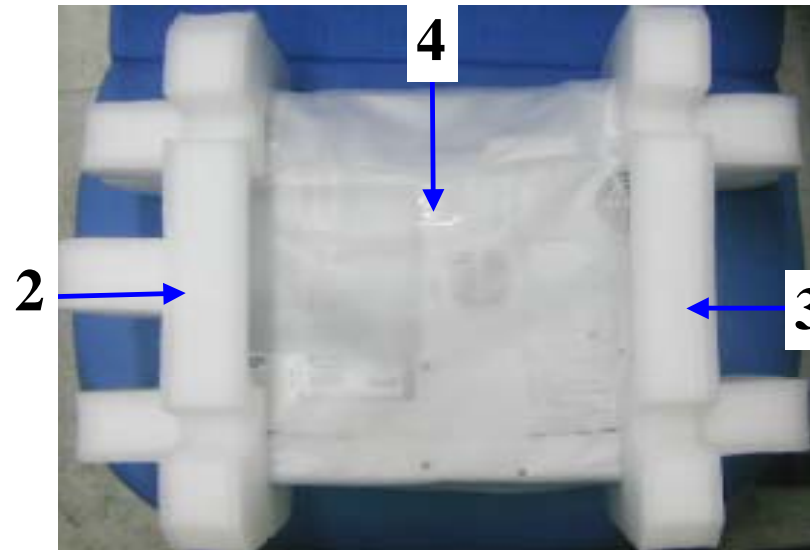
Twinhead International Corp.

(Twinhead S.O.P)

(Document NO): TESOP285

Name of S.O.P.: efiol121A 2-IN-1 packing SOP	Working name: 9501-3	Revision : 0	Date: 2003.09.08	(Manufacturing Section): PE
--	----------------------	--------------	------------------	-----------------------------

Explanation of illustration



Difference	Operating Item	Part name/specification	Part/number	QTY	Operation description	Important note	Jig /fixture
	1	NA	NA	1	Double check the serial numbers. Numbers on the machine and procedures card should be the same	NA	NA
	2	N222S1-2IN1 L PAPER CUSHION ASS'Y	61-960601-80	1	Notice the difference between left and right cushions.	NA	NA
	3	N222S1-2IN1 R PAPER CUSHION ASS'Y	61-960601-90	1			
	4	NA	NA	1	Fit machine into cushion as shown in the diagram	Note placement direction	NA



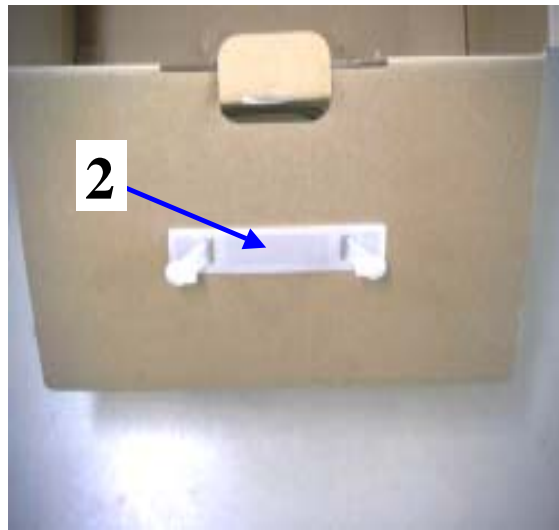
Twinhead International Corp.

(Twinhead S.O.P)

(Document NO): TESOP285

Name of S.O.P.: efiol121A 2-IN-1 packing SOP Working name: 9501-4 Revision : 0 Date: 2003.09.08 (Manufacturing Section): PE

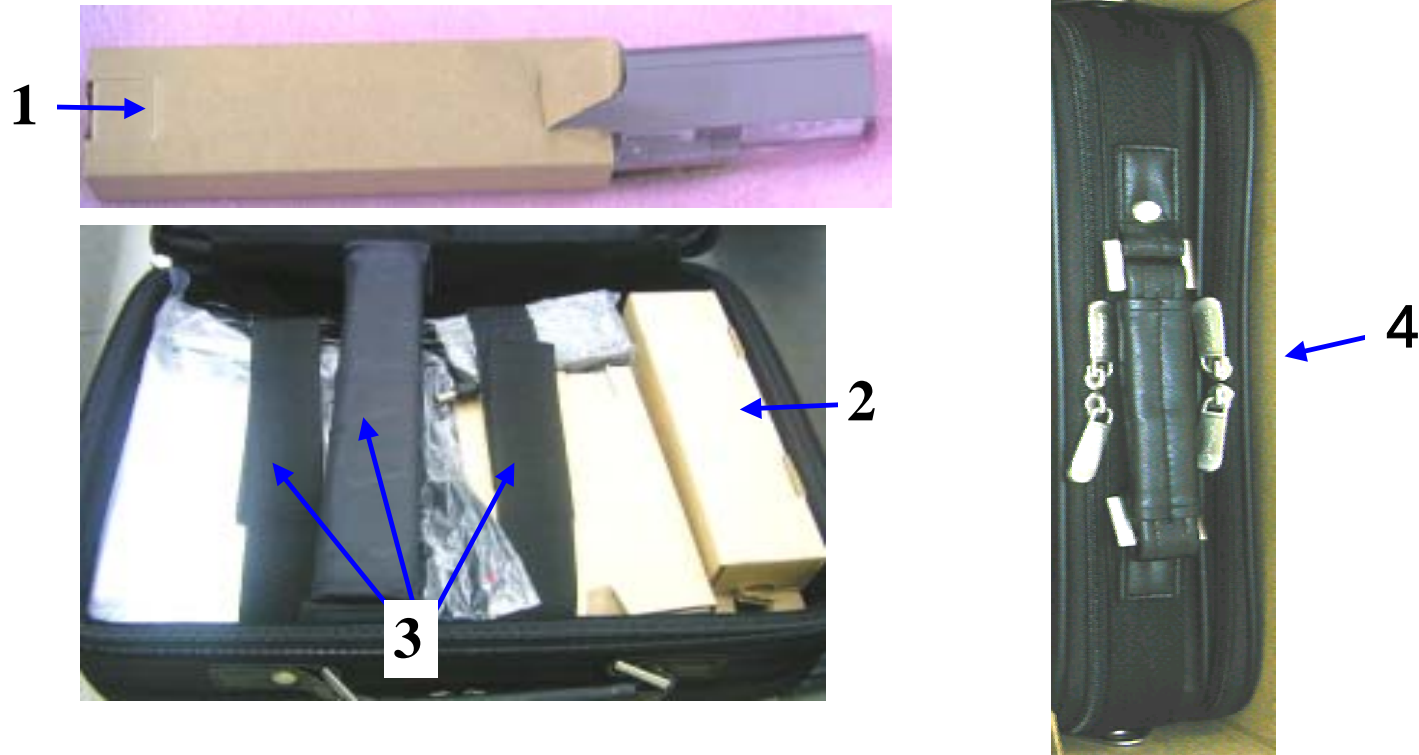
Explanation of illustration



Difference	Operating Item	Part name/specification	Part/number	Q'TY	Operation description	Important note	Jig/fixture
	1	D212A-COLOR BOX W/CARRY BAG-A2453J-FOR T/H	61-040064-80	1	Assemble box	NA	NA
	2	PLASTIC HANDLE	50-020002-00	1	Install handle	NA	NA
	3	PACKING LABEL	63-001132-00	1	Attach label at left corner of the box with the text directions shown in the diagram	Notice the direction as shown in the illustration	NA

Name of S.O.P.: efiol121A 2-IN-1 packing SOP	Working name: 9501-5	Revision: 0	Date: 2003.09.08	(Manufacturing Section): PE
--	----------------------	-------------	------------------	-----------------------------

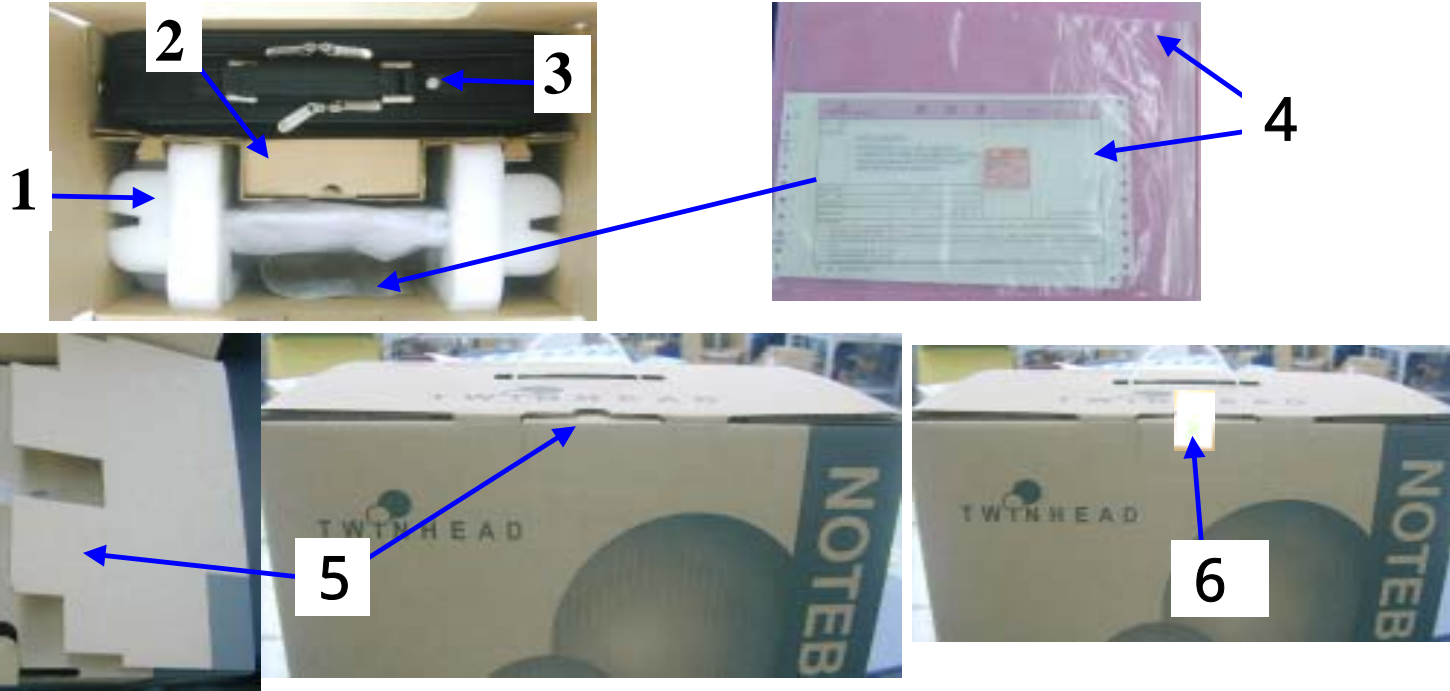
Explanation of illustration



Difference	Operating Item	Part name/specification	Part/number	QTY	Operation description	Important note	Jig/fixture
	1	N222S1-PAPER TUBE-C3418A-FOR BATTERY	61-012180-00	1	Place the battery into the wrapping box and seal it	NA	NA
	2	NA	NA	1	Open accessory bag and place battery in it as shown in the diagram	NA	NA
	3	NA	NA	1	Make certain that nothing is missing from the accessory box; make sure the band is secure	NA	NA
	4	NA	NA	NA	Close the bag and zip up as shown in the diagram	NA	NA

Name of S.O.P.: efiol121A 2-IN-1 packing SOP	Working name: 9501-6	Revision: 0	Date: 2003.09.08	(Manufacturing Section): PE
--	----------------------	-------------	------------------	-----------------------------

Explanation for illustration



Difference	Operating Item	Part name/specification	Part/number	QTY	Operation description	Important note	Jig/fixture
	1	Notebook	NA	1	Place the notebook into the box: LCD panel hook must face down; serial number should face handle	Note the direction	NA
	2	N222S1-PAPER SHEET-C34610-FOR MOUSE & CABLE	61-012195-00	1	Place partition into the box as shown in the diagram	NA	NA
	3	附件包	NA	1	Place the accessory bag into box as shown in the diagram	MO label faces inside	NA
	4	Warranty Card	62-600038-02	1	Place guarantee certificate into PE bag and placer into the box as shown in the diagram	NA	NA
		PE BAG 220X280 mm	60-010003-00	1			
	5	NA	NA	1	Fold handle side board first, then left and right sides.	NA	NA
	6	COLOR BOX SEAL LABEL	63-000644-00	1	Seal the box	NA	NA



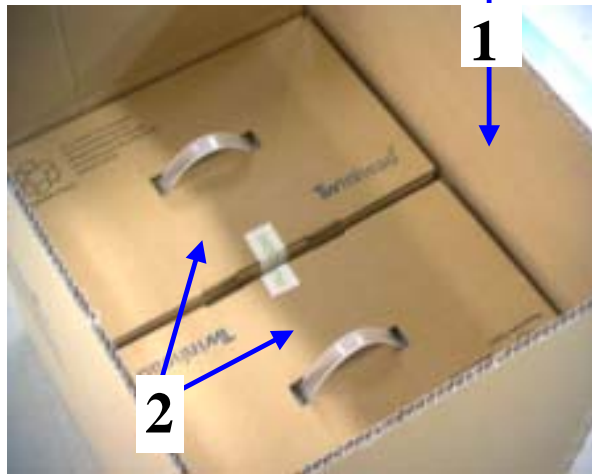
Twinhead International Corp.

(Twinhead S.O.P)

(Document NO): TESOP285

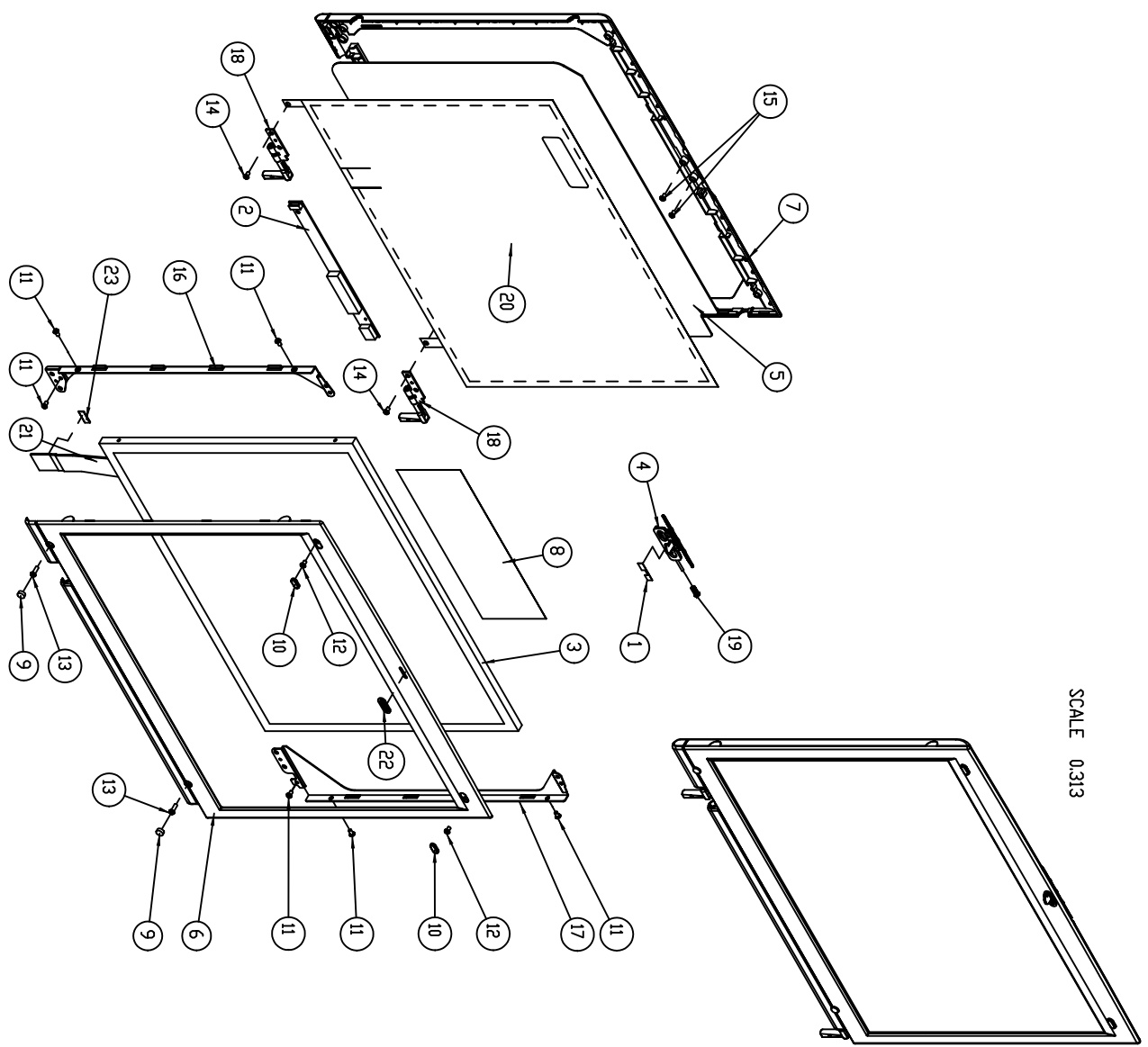
Name of S.O.P.: efio!121A 2-IN-1 Packing SOP Working name: 9501-7 Revision: 0 Date: 2003.09.08 (Manufacturing Section): PE

Explanation of illustration



Difference	Operating Item	Part name/specification	Part/number	QTY	Operation description	Important note	Jig/fixture
	1	P88TE-CARTON FOR W/CARRY BAG	61-050094-01	1	Assemble box	NA	NA
	2	NA	NA	2	Place the box into carton; gap faces gap.	NA	NA
	3	Scotch tape	61-080007-01	1	Seal the box. 65cm~75cm	NA	NA
	4	PACKING LABEL	63-001132-00	1	Place label as shown in the diagram	LABEL should be attached ABOVE carton's part number as shown above; do not cover part the part number	NA
	5	ALL MODULE PACKING	63-230XXX-00	2	Attach to the carton at an angle	Take care not to damage packing	NA
	6	ANGEL PROTECTOR 76X76X800mm	61-097608-00	1	NA	NA	NA
	7	ANGEL PROTECTOR 76X76X1040mm	61-097615-00	1	NA	NA	NA
	8	PALLET FOR SHARP AV-1 KL13020	61-110010-00	1	NA	NA	NA

REV.	DATE	DESCRIPTION	CHANGE BY	APPROVAL BY	REMARKS
0	10/03/03	NEW		FT YANG	
					TDC031021-00
					MDI S/N



SCALE 0.313

SCALE 0.313

TOLERANCE UNLESS OTHERWISE SPEC.			
	Metal	Plastic	PCB
0--20	±0.10	±0.10	±0.10
20--99	±0.15	±0.15	±0.15
100--199	±0.20	±0.25	±0.20
200-----	±0.25	±0.30	±0.25

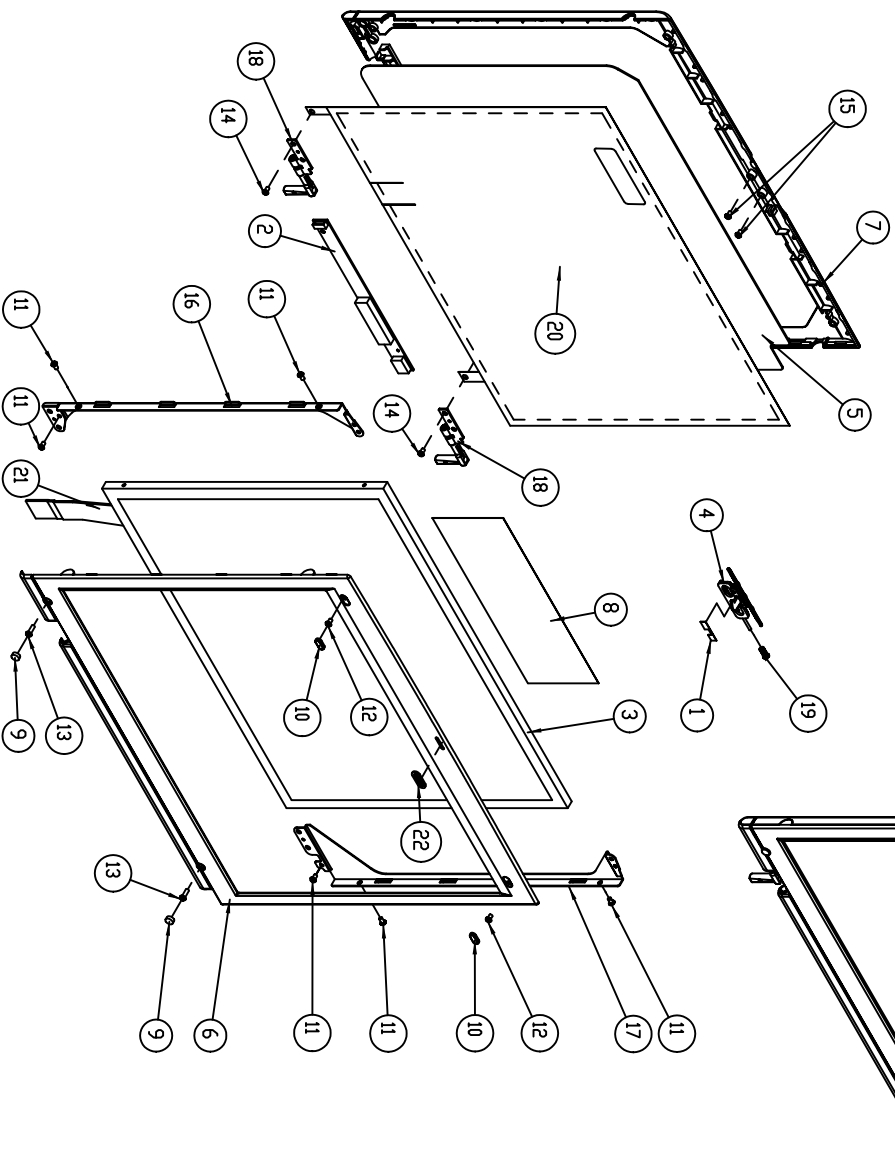
ITEM	P/N	DESCRIPTION	QTY	DRAW NO
23	51-350094-15	P88S-CONDUCTIVE SPONGE 10X0.5X40	1	KL1788
22	52-002350-00	D212A-HOOK SUPPORT RUBBER-BLACK	1	E46770
21	29-001640-01	N222S1-HARNES FOR HSD 12.1" LCD	1	SH640C
20	40-008122-00	P22AJ-AL FILD FOR LCD COVER	1	B23390
19	40-011701-00	N222S8-LCD HOOK SPRING	1	D49610
18	40-015020-00	N222S8P-LCD HINGE-SOTEC	2	C3663A
17	40-030531-00	N222S8P-LCD BRACKET R-SOTEC	1	C36600
16	40-030532-00	N222S8P-LCD BRACKET L-SOTEC	1	C36610
15	41-420520-03	SCREW BPS/W (Φ5.5)-M2*3L-NYLDK	2	B3892B
14	41-720526-04	SCREW ISDT-M2*6*4L H=0.8mm-NYLDK	2	B3516T
13	41-721026-06	SCREW ISDT-M2*6*6L ØD4.5/H0.8mm-BLACK	2	B2252D
12	41-721520-06	SCREW ISDT-M2*6L-NI+NYLDK ØD3.4mm	2	E4424H
11	41-721520-03	SCREW ISDT-M2*3L-SELF-LOCKING ØD3.5mm	6	B4424G
10	50-020385-00	P77-RUBBER PAD	2	B4405N
09	50-021268-01	P98W-RUBBER PAD(NEW)	2	C4328D
08	50-023324-00	N222S8P-WYLAR FOR LCD HARNES-SOTEC	1	E43950
07	50-033071-10	D212A-LCD COVER-ID2 FOR UNIBDK-#8735	1	B1286
06	50-034080-40	D212A-LCD PANEL FOR UNIBDK-#8735	1	B1287
05	50-212960-02	N222S8P-MICA FOR LCD COVER-SOTEC	1	C3665B
04	50-963601-B0	D212A-#8735-LCD HOOK ASS'Y	1	
03	72-112236-00	LCD-12.1"XGA TFT-TOSHIBA-LTD121LADS-11	1	
02	76-030105-00	INVERTER-SV-SW-10X123mm-FDR 12.1" LCD	1	
01	50-023420-00	D212A-WYLAR FOR LCD HOOK BLACK	1	E4553
ITEM	P/N	DESCRIPTION	QTY	DRAW NO
BDM	86-636905-50	D212A-#8735-DISPLAY ASSY-12.1" TFT FOR TOSHIBA-ID2		

MAT'L	QTY	1	UNITS	MM	SHEET	1 of 1
FINISH	SCALE	5/16				
DRAW	JDNAS	10/03/03	PRODUCT NAME:	D212A		
DJGN	JDNAS	10/08/03	DRAWING NAME:			
CHECK	CC WANG	10/13/03	DRAWING NAME:	#8735-DISPLAY ASSY-12.1" TFT FOR TOSHIBA-ID2		
APPRD	FT YANG	10/21/03				

Twinhead

FILE NO.	E1087-01
PART NO.	86-636905-50

SCALE 0.313



SCALE 0.313

TOLERANCE UNLESS OTHERWISE SPEC.			
	Metal	Plastic	PCB
0--20	±0.10	±0.10	±0.10
20--99	±0.15	±0.15	±0.15
100--199	±0.20	±0.25	±0.20
200-----	±0.25	±0.30	±0.25

22	52-002350-00	D212A-HOOK SUPPORT RUBBER-BLACK	1	E46770
21	29-001650-01	N222S1-HARNES FOR HYUNDAI 12.1" LCD	1	SH650C
20	40-008122-00	P22AJ-AL FOIL FOR LCD COVER	1	B23390
19	40-011701-00	N222S8-LCD HOOK SPRING	1	D49610
18	40-015020-00	N222S8P-DISPLAY HINGE-SITEC	2	C3663A
17	40-030531-00	N222S8P-LCD BRACKET R-SITEC	1	C36600
16	40-030532-00	N222S8P-LCD BRACKET L-SITEC	1	C36610
15	41-420520-03	SCREW BPS/W (Ø5.5)-M2*3L-NYLDK	2	B38928
14	41-720526-04	SCREW ISDT-M2.6*4L H=0.8mm-NYLDK	2	B3516T
13	41-721026-06	SCREW ISDT-M2.6*6L ØD4.5/H0.8mm-BLACK	2	B2252D
12	41-721520-06	SCREW ISDT-M2*6L-NI+NYLDK ØD3.4mm	2	E4424H
11	41-721520-03	SCREW ISDT-M2*3L-SELF-LOCKING ØD3.5mm	6	B4424G
10	50-020385-00	P77-RUBBER PAD	2	B4405N
09	50-021268-01	P98W-RUBBER PAD(NEW)	2	C4328D
08	50-023324-00	N222S8P-WYLAR FOR LCD HARNES-SITEC	1	E43950
07	50-033071-10	D212A-LCD COVER-ID2 FOR UNIBDK-#8735	1	B1286
06	50-034080-30	D212A-LCD PANEL FOR VISAGE-#8126	1	B1287
05	50-212960-02	N222S8P-MICA FOR LCD COVER-SITEC	1	C3665B
04	50-963601-B0	D212A-#8735-LCD HOOK ASSY	1	
03	72-112230-30	LCD-12.1"XGA TFT-HYUNDAI-HT12X12	1	
02	76-030105-00	INVERTER-SV-SW-10X123mm-FOR 12.1" LCD	1	
01	50-023420-00	D212A-WYLAR FOR LCD HOOK BLACK	1	E4553
ITEM	P/N	DESCRIPTION	QTY	DRAW NO
BOM	86-636905-40	D212A-#8735-DISPLAY ASSY-12.1" TFT FOR HYUNDAI-ID2		

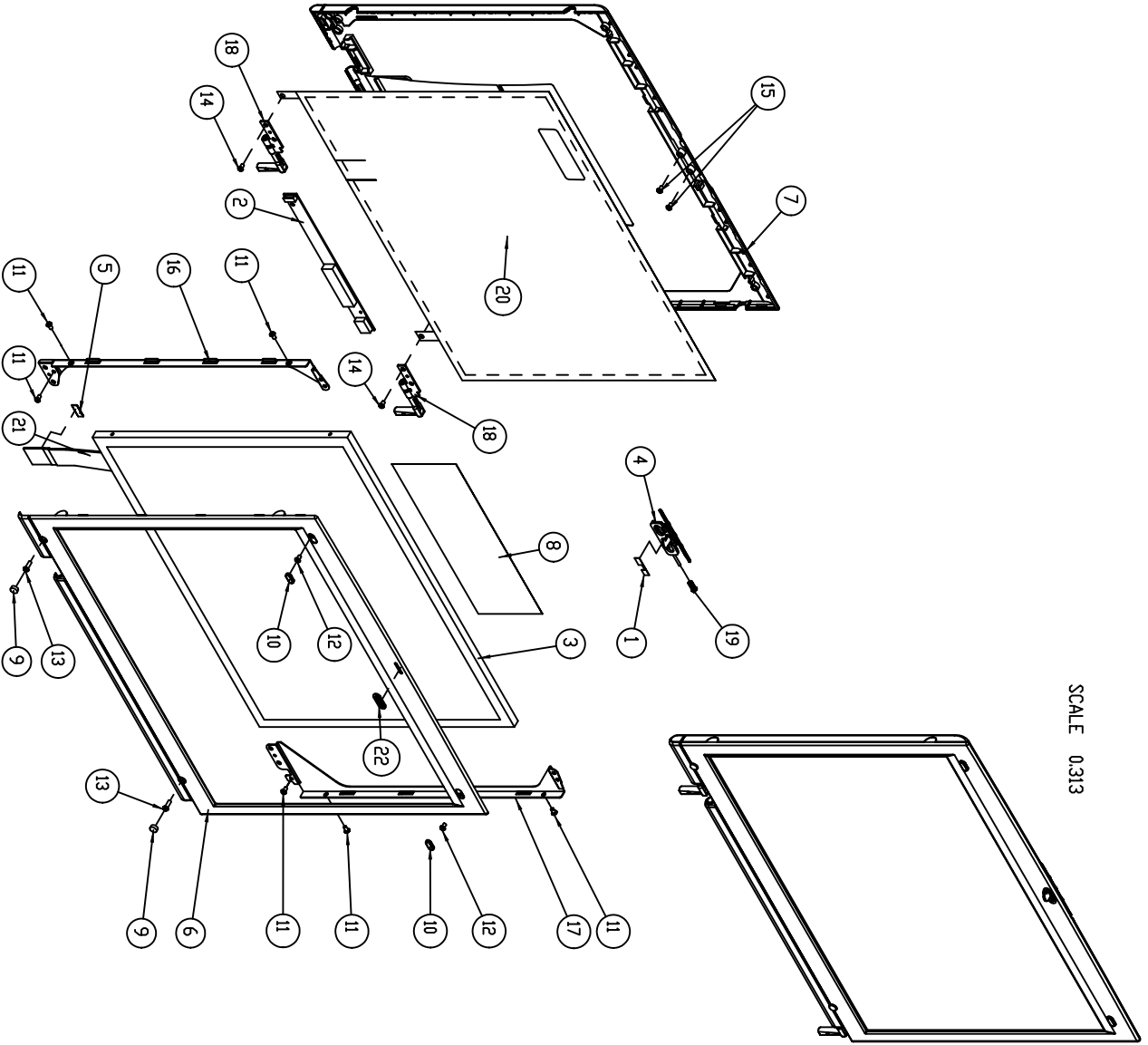
REV.	DATE	DESCRIPTION	CHANGE BY	APPROVAL BY	REMARKS
0	10/03/03	NEW	FT YANG		TDC031021-00

MAT'L	QTY	1	UNITS	MM	SHEET	1 of 1
FINISH	SCALE	5/16				
DRAW	JDNAS	10/03/03	PRODUCT NAME:	D212A		
DJGN	JDNAS	10/08/03	DRAWING NAME:			
CHECK	CC WANG	10/13/03	#8735-DISPLAY ASSY-12.1" TFT FOR HYUNDAI-ID2			
APPRD	FT YANG	10/21/03				

Twinhead

FILE NO.	E1087-02
PART NO.	86-636905-40

REV.	DATE	DESCRIPTION	CHANGE BY	APPROVAL BY	REMARKS
0	10/03/03	NEW		FT YANG	
					TDC031021-00
					MDI S/VN



SCALE 0.313

SCALE 0.313

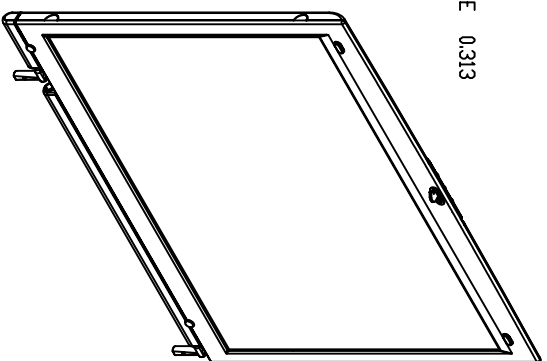
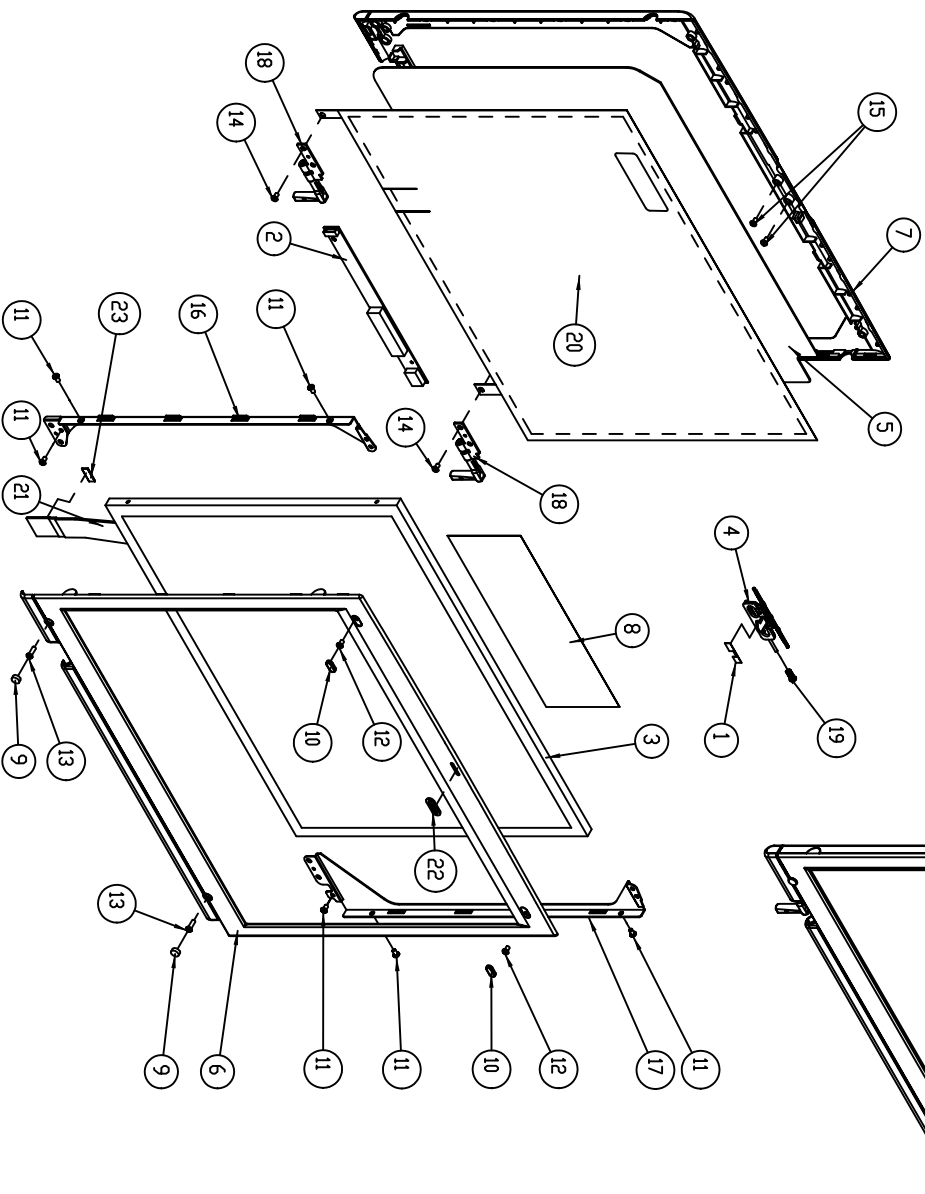
TOLERANCE UNLESS OTHERWISE SPEC.			
	Metal	Plastic	PCB
0--20	±0.10	±0.10	±0.10
20--99	±0.15	±0.15	±0.15
100--199	±0.20	±0.25	±0.20
200-----	±0.25	±0.30	±0.25

ITEM	P/N	DESCRIPTION	QTY	DRAW NO
22	52-002350-10	D212A-HOOK SUPPORT RUBBER-PANTONE 431C	1	E46770
21	29-001640-01	N222S1-HARNES FOR HSD 12.1" LCD	1	SH640C
20	40-008122-00	P22AJ-AL FOIL FOR LCD COVER	1	B23390
19	40-011701-00	N222S8-LCD HOOK SPRING	1	D49610
18	40-015020-00	N222S8P-DISPLAY HINGE-SITEC	2	C3663A
17	40-030531-00	N222S8P-LCD BRACKET R-SITEC	1	C36600
16	40-030532-00	N222S8P-LCD BRACKET L-SITEC	1	C36610
15	41-420520-03	SCREW BPS/W (Ø5.5)-M2*3L-NYLDK	2	B38928
14	41-720526-04	SCREW ISDT-M2.6*4L H=0.8mm-NYLDK	2	B35161
13	41-721026-06	SCREW ISDT-M2.6*6L ØD4.5/H0.8mm-BLACK	2	B2252D
12	41-721520-06	SCREW ISDT-M2*6L-NI+NYLDK ØD3.4mm	2	E4424H
11	41-721520-03	SCREW ISDT-M2*3L-SELF-LOCKING ØD3.5mm	6	B4424G
10	50-020385-20	N222S8L-RUBBER PAD	2	B4405N
09	50-021268-20	N222S8L-RUBBER PAD	2	C4328D
08	50-023324-00	N222S8P-WYLAR FOR LCD HARNES-SITEC	1	E43950
07	50-033070-01	D212A-LCD COVER-1D1 FOR #8028	1	B1285
06	50-034080-00	D212A-LCD PANEL W/O LOGO-#8126	1	B1287
05	51-350094-15	P88S-CONDUCTIVE SPONGE 10X0.5X40	1	K11788
04	50-963601-C0	D212A-LCD HOOK ASSY-#8801	1	
03	72-112236-00	LCD-12.1"XGA TFT-TOSHIBA-LTD121LA0S-11	1	
02	76-030105-00	INVERTER-SV-SW-10X123mm-FOR 12.1" LCD	1	
01	50-023420-00	D212A-WYLAR FOR LCD HOOK BLACK	1	E4553
BOM	86-636905-00	D212A-#8028-DISPLAY ASSY-12.1" TFT FOR TOSHIBA-1D1		

MAT'L	QTY	1	UNIT	MM	SHEET	1 of 1
FINISH	SCALE	5/16				
DRAW	JDNAS	10/03/03	PRODUCT NAME:	D212A		
DJGN	JDNAS	10/13/03	DRAWING NAME:	#8028-DISPLAY ASSY-12.1" TFT FOR TOSHIBA-1D1		
CHECK	CC WANG	10/14/03				
APPRD	FT YANG	10/21/03				
FILE NO.		E1087-03				
PART NO.		86-636905-00				



SCALE 0.313



SCALE 0.313

REV.	DATE	DESCRIPTION	CHANGE BY	APPROVAL BY	REMARKS
0	10/03/03	NEW		FT YANG	TDC031021-00

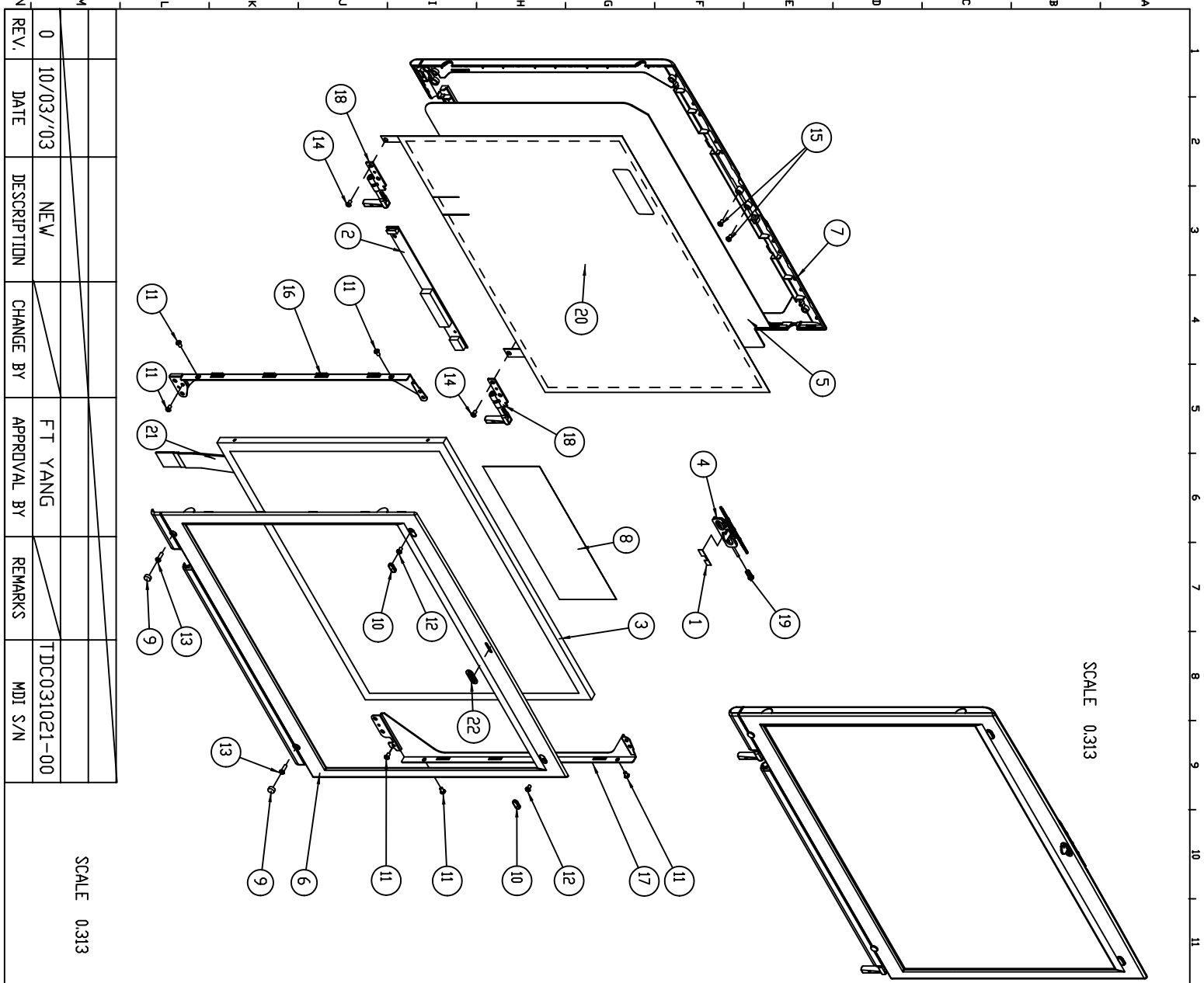
TOLERANCE UNLESS OTHERWISE SPEC.			
	Metal	Plastic	PCB
0--20	+0.10	+0.10	+0.10
20--99	+0.15	+0.15	+0.15
100--199	+0.20	+0.25	+0.20
200-----	+0.25	+0.30	+0.25

23	51-350094-15	P88S-CONDUCTIVE SPONGE 10X0.5X40	1	K11788
22	52-002350-10	D212A-HOOK SUPPORT RUBBER-PANTONE 431C	1	E46770
21	29-001640-01	N222S1-HARNNESS FOR HSD 12.1" LCD	1	SH640C
20	40-008122-00	P22A-JAL FOIL FOR LCD COVER	1	B23390
19	40-011701-00	N222S8-LCD HOOK SPRING	1	D49610
18	40-015020-00	N222S8P-DISPLAY HINGE-SDTEC	2	C3663A
17	40-030531-00	N222S8P-LCD BRACKET R-SDTEC	1	C36600
16	40-030532-00	N222S8P-LCD BRACKET L-SDTEC	1	C36610
15	41-420520-03	SCREW BPS/V (Φ5.5)-M2*3L-NYLDK	2	B3892B
14	41-720526-04	SCREW ISDT-M2*6*4L H=0.8mm-NYLDK	2	B3516T
13	41-721026-06	SCREW ISDT-M2*6*6L ØD4.5/H0.8mm-BLACK	2	B2252D
12	41-721520-06	SCREW ISDT-M2*6L-NI+NYLDK ØD3.4mm	2	E4424H
11	41-721520-03	SCREW ISDT-M2*3L-SELF-LOCKING ØD3.5mm	6	B4424G
10	50-020385-20	N222S8L-RUBBER PAD	2	B4405N
09	50-021268-20	N222S8L-RUBBER PAD	2	C4328D
08	50-023324-00	N222S8P-MYLAR FOR LCD HARNNESS-SDTEC	1	E43950
07	50-033071-00	D212A-LCD COVER-ID2 FOR TH-#8027	1	B1287
06	50-034080-40	D212A-LCD PANEL FOR UNIBIK-#8735	1	B1287
05	50-212960-02	N222S8P-MICA FOR LCD COVER-SDTEC	1	C3665B
04	50-963601-C0	D212A-LCD HOOK ASSY-#8801	1	
03	72-112236-00	LCD-12.1"XGA TFT-TOSHIBA-LTD12LADS-11	1	
02	76-030105-00	INVERTER-5V-5W-10X123mm-FDR 12.1" LCD	1	
01	50-023420-00	D212A-MYLAR FOR LCD HOOK BLACK	1	E4553
ITEM	P/N	DESCRIPTION	QTY	DRAW NO
BOM	86-636905-20	D212A-#8028-DISPLAY ASSY-12.1" TFT FOR TOSHIBA-ID2		

MAT'L		QTY.	1	UNITS	MM	SHEET	1 of 1
FINISH		SCALE	5/16				
DRAW	JDNAS	10/03/03	PRODUCT NAME:	D212A			
DSGN	JDNAS	10/13/03	DRAWING NAME:	#8028-DISPLAY ASSY-12.1" TFT FOR TOSHIBA-ID2			
CHECK	CC WANG	10/16/03					
APPRD.	FT YANG	10/21/03					

Twinhead

FILE NO. E1087-05
PART NO. 86-636905-20



SCALE 0.313

SCALE 0.313

REV.	DATE	DESCRIPTION	CHANGE BY	APPROVAL BY	REMARKS
0	10/03/03	NEW		FT YANG	TDC031021-00
M					
L					
K					
J					
I					
H					
G					
F					
E					
D					
C					
B					
A					

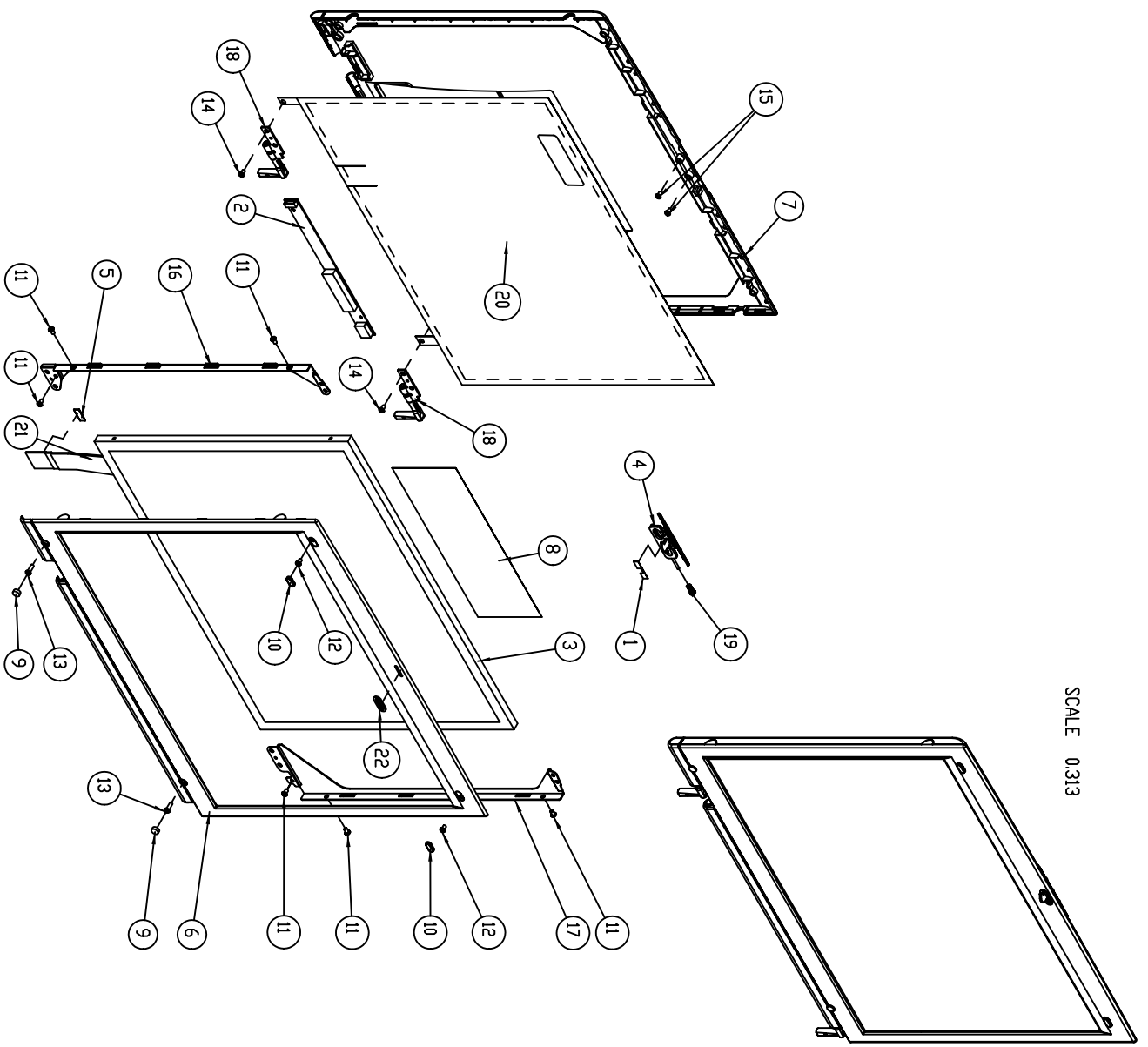
TOLERANCE UNLESS OTHERWISE SPEC.			
	Metal	Plastic	PCB
0--20	±0.10	±0.10	±0.10
20--99	±0.15	±0.15	±0.15
100--199	±0.20	±0.25	±0.20
200-----	±0.25	±0.30	±0.25

ITEM	P/N	DESCRIPTION	QTY	DRAW NO
BDM	86-636905-30	D212A-#8028-DISPLAY ASSY-12.1" TFT FOR HYUNDAI-D2		
22	52-002350-10	D212A-HOOK SUPPORT RUBBER-PANTONE 431C	1	E46770
21	29-001650-01	N222S1-HARNES FOR HYUNDAI 12.1" LCD	1	SH650C
20	40-008122-00	P222A-AL FOIL FOR LCD COVER	1	B23390
19	40-011701-00	N222S8-LCD HOOK SPRING	1	D49610
18	40-015020-00	N222S8P-DISPLAY HINGE-SDTEC	2	C3663A
17	40-030531-00	N222S8P-LCD BRACKET R-SDTEC	1	C36600
16	40-030532-00	N222S8P-LCD BRACKET L-SDTEC	1	C36610
15	41-420520-03	SCREW BPS/V (Ø5.5)-M2*3L-NYL/DK	2	B3892B
14	41-720526-04	SCREW ISDT-M2.6*4L H=0.8mm-NYL/DK	2	B3516T
13	41-721026-06	SCREW ISDT-M2.6*6L ØD4.5/H0.8mm-BLACK	2	B2252D
12	41-721520-06	SCREW ISDT-M2*6L-NI+NYL/DK ØD3.4mm	2	E4424H
11	41-721520-03	SCREW ISDT-M2*3L-SELF-LOCKING ØD3.5mm	6	B4424G
10	50-020385-20	N222S8L-RUBBER PAD	2	B4405N
09	50-021268-20	N222S8L-RUBBER PAD	2	C4328D
08	50-023324-00	N222S8P-NYLAR FOR LCD HARNES-SDTEC	1	E43950
07	50-033071-00	D212A-LCD COVER-ID2 #8027	1	B1286
06	50-034080-20	D212A-LCD PANEL FOR DAVE-#8126	1	B1287
05	50-212960-02	N222S8P-MICA FOR LCD COVER-SDTEC	1	C3665B
04	50-963601-C0	D212A-LCD HOOK ASSY-#8801	1	
03	72-112230-30	LCD-12.1"XGA TFT-HYUNDAIS-HT12X12	1	
02	76-030105-00	INVERTER-5V-5W-10X123mm-FDR 12.1" LCD	1	
01	50-023420-00	D212A-NYLAR FOR LCD HOOK BLACK	1	E4553

MAT'L	QTY.	UNITS	SHEET
FINISH	1	MM	1 of 1
DRAW	SCALE 5/16		
DSGN	10/03/03	PRODUCT NAME:	D212A
CHECK	10/13/03	DRAWING NAME:	#8028-DISPLAY ASSY-12.1" TFT FOR HYUNDAIS-D2
APPRD	10/16/03	FILE NO.	E1087-06
	10/21/03	PART NO.	86-636905-30

Twinhead

REV.	DATE	DESCRIPTION	CHANGE BY	APPROVAL BY	REMARKS
0	10/03/03	NEW		FT YANG	TDC031021-00
SCALE 0.313					



TOLERANCE UNLESS OTHERWISE SPEC.			
	Metal	Plastic	PCB
0--20	±0.10	±0.10	±0.10
20--99	±0.15	±0.15	±0.15
100--199	±0.20	±0.25	±0.20
200-----	±0.25	±0.30	±0.25

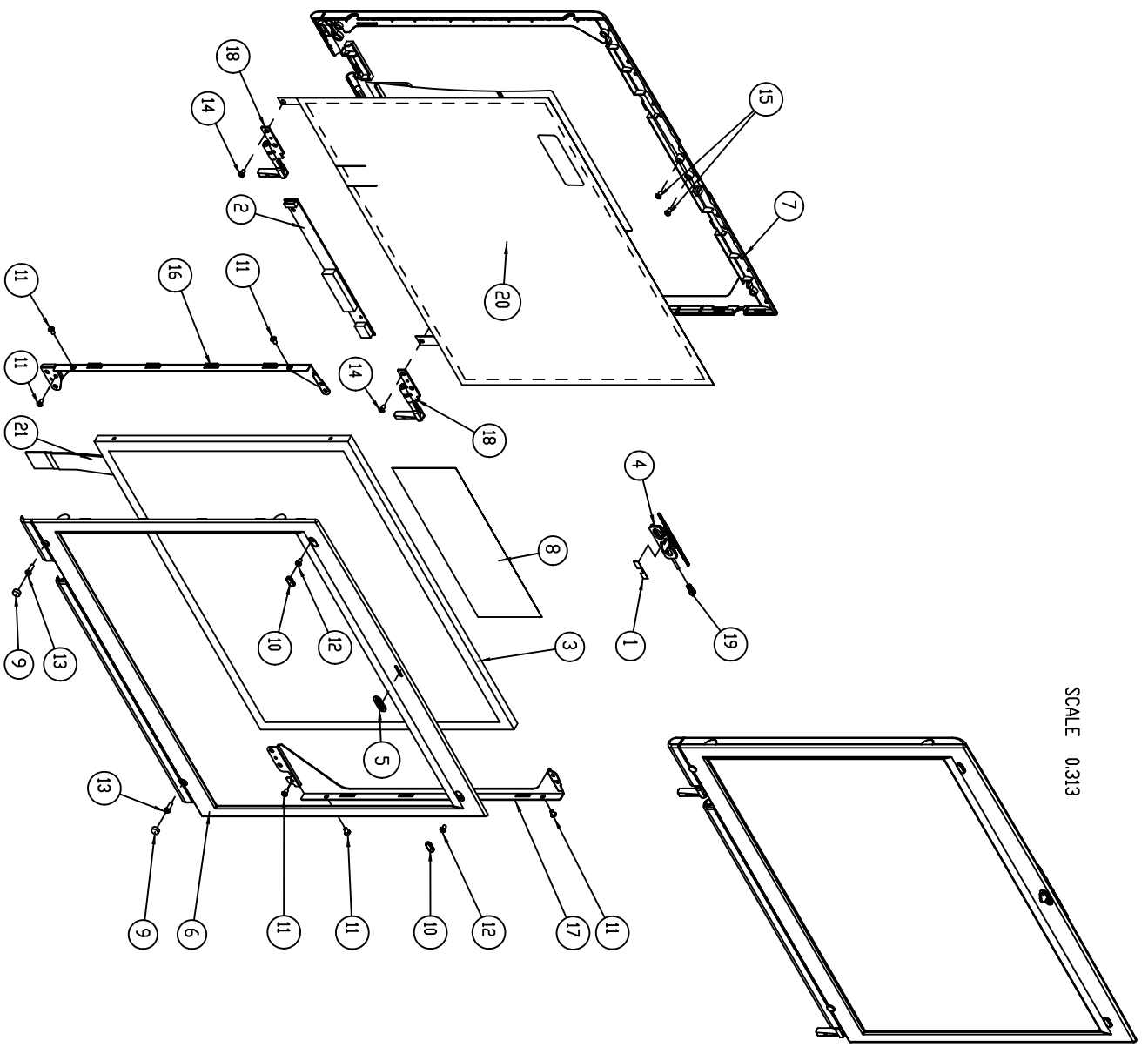
ITEM	P/N	DESCRIPTION	QTY	DRAW NO
22	52-002350-10	D212A-HOOK SUPPORT RUBBER-PANTONE 431C	1	E46770
21	29-001640-01	N222S1-HARNES FOR HSD 12.1" LCD	1	SH640C
20	40-008122-00	P22A-J-AL FOIL FOR LCD COVER	1	B23390
19	40-011701-00	N222S8-LCD HOOK SPRING	1	D49610
18	40-015020-00	N222S8P-DISPLAY HINGE-SDTEC	2	C3663A
17	40-030531-00	N222S8P-LCD BRACKET R-SDTEC	1	C36600
16	40-030532-00	N222S8P-LCD BRACKET L-SDTEC	1	C36610
15	41-420520-03	SCREW BPS/V (Ø5.5)-M2*3L-NYL/DK	2	B3892B
14	41-720526-04	SCREW ISDT-M2.6*4L H=0.8mm-NYL/DK	2	B3516T
13	41-721026-06	SCREW ISDT-M2.6*6L ØD4.5/H0.8mm-BLACK	2	B2252D
12	41-721520-06	SCREW ISDT-M2*6L-NI+NYL/DK ØD3.4mm	2	E4424H
11	41-721520-03	SCREW ISDT-M2*3L-SELF-LOCKING ØD3.5mm	6	B4424G
10	50-020385-20	N222S8L-RUBBER PAD	2	B4405N
09	50-021268-20	N222S8L-RUBBER PAD	2	C4328D
08	50-023324-00	N222S8P-NYLAR FOR LCD HARNES-SDTEC	1	E43950
07	50-033072-00	D212A-LCD COVER-ID3 FOR #8028	1	B1312
06	50-034080-50	D212A-LCD PANEL FOR STAMP-#8126	1	B1287
05	51-350094-15	P88S-CONDUCTIVE SPONGE 10X0.5X40	1	K11788
04	50-963601-C0	D212A-LCD HOOK ASSY-#8801	1	
03	72-11223G-00	LCD-12.1"XGA TFT-TOSHIBA-LTD21LADS-11	1	
02	76-030105-00	INVERTER-5V-5W-10X123mm-FDR 12.1" LCD	1	
01	50-023420-00	D212A-NYLAR FOR LCD HOOK BLACK	1	E4553
BDM	86-636905-60	D212A-#8028-DISPLAY ASSY-12.1" TFT FOR TOSHIBA-ID3		

MAT'L		QTY.	1	UNITS	MM	SHEET	1 of 1
FINISH		SCALE	5/16				
DRAW	JDNAS	10/03/03	PRODUCT NAME:	D212A			
DSGN	JDNAS	10/13/03	DRAWING NAME:	#8028-DISPLAY ASSY-12.1" TFT FOR TOSHIBA-ID3			
CHECK	CC WANG	10/13/03					
APPRD	FT YANG	10/21/03					

Twinhead

FILE NO. E1087-07
PART NO. 86-636905-60

REV.	DATE	DESCRIPTION	CHANGE BY	APPROVAL BY	REMARKS
0	10/03/03	NEW		FT YANG	TDC031021-00
SCALE 0.313					

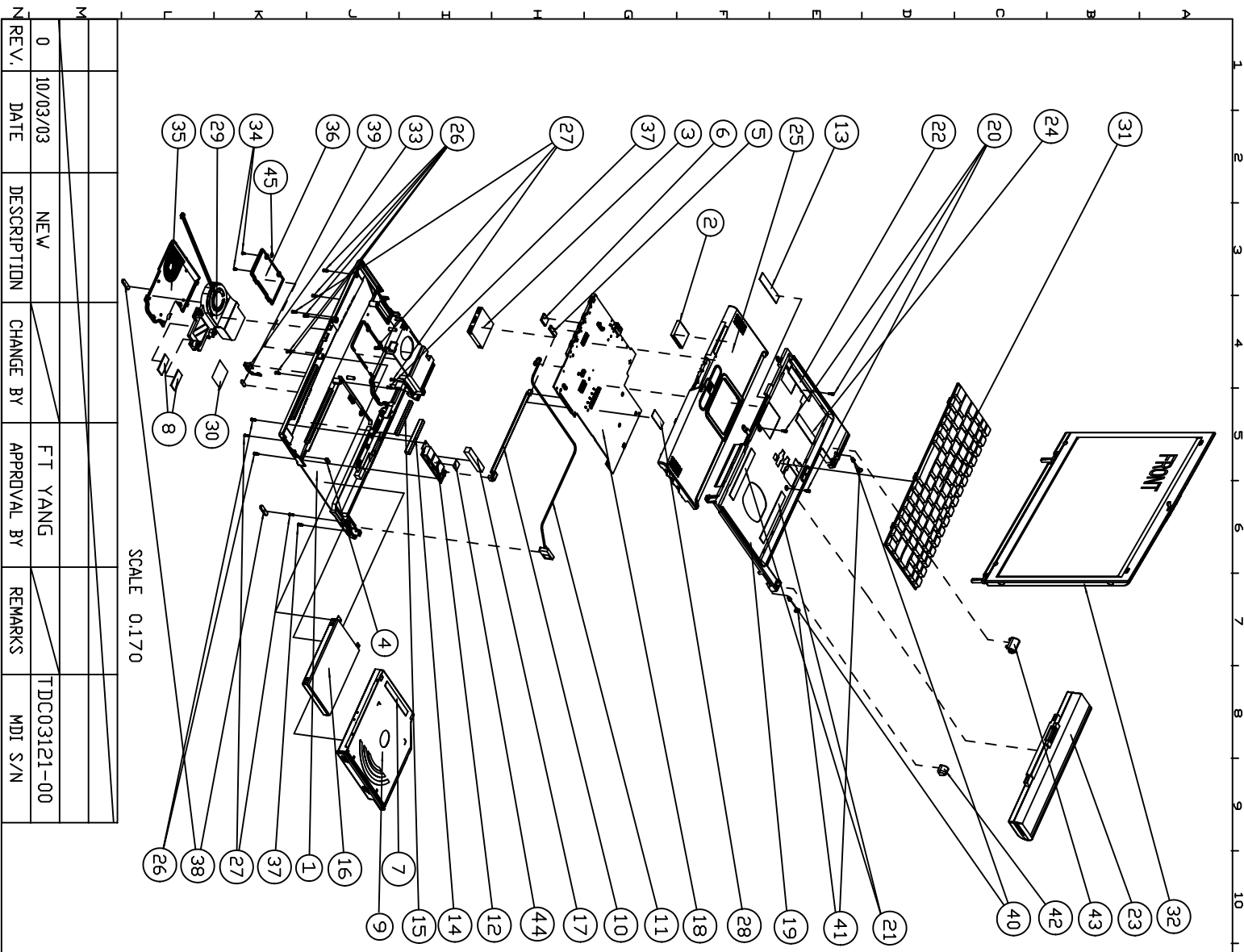


TOLERANCE UNLESS OTHERWISE SPEC.			
	Metal	Plastic	PCB
0--20	±0.10	±0.10	±0.10
20--99	±0.15	±0.15	±0.15
100--199	±0.20	±0.25	±0.20
200-----	±0.25	±0.30	±0.25

ITEM	P/N	DESCRIPTION	QTY	DRAW NO
21	29-001650-01	N222S1-HARNES FOR HYUNDAI 12.1" LCD	1	SH650C
20	40-008122-00	P22A1-AL FOIL FOR LCD COVER	1	B23390
19	40-011701-00	N222S8-LCD HOOK SPRING	1	D49610
18	40-015020-00	N222S8P-DISPLAY HINGE-SDTEC	2	C3663A
17	40-030531-00	N222S8P-LCD BRACKET R-SDTEC	1	C36600
16	40-030532-00	N222S8P-LCD BRACKET L-SDTEC	1	C36610
15	41-420520-03	SCREW BPS/V (Ø5.5)-M2*3L-NYLDK	2	B3892B
14	41-720526-04	SCREW ISDT-M2.6*4L H=0.8mm-NYLDK	2	B3516T
13	41-721026-06	SCREW ISDT-M2.6*6L ØD4.5/H0.8mm-BLACK	2	B2252D
12	41-721520-06	SCREW ISDT-M2*6L-NI+NYLDK ØD3.4mm	2	E4424H
11	41-721520-03	SCREW ISDT-M2*3L-SELF-LOCKING ØD3.5mm	6	B4424G
10	50-020385-20	N222S8L-RUBBER PAD	2	B4405N
09	50-021268-20	N222S8L-RUBBER PAD	2	C4328D
08	50-023324-00	N222S8P-NYLAR FOR LCD HARNESS-SDTEC	1	E43950
07	50-033072-00	D212A-LCD COVER-ID3 FOR #8028	1	B1312
06	50-034080-60	D212A-LCD PANEL FOR TUCANA-#8126	1	B1287
05	52-002350-10	D212A-HOOK SUPPORT RUBBER-PANTONE 431C	1	E46770
04	50-963601-C0	D212A-LCD HOOK ASSY-#8801	1	
03	72-112230-30	LCD-12.1"XGA TFT-HYUNDAI-HT12X12	1	
02	76-030105-00	INVERTER-5V-5W-10X123mm-FDR 12.1" LCD	1	
01	50-023420-00	D212A-NYLAR FOR LCD HOOK BLACK	1	E4553
BDM	86-636905-70	D212A-#8028-DISPLAY ASSY-12.1" TFT FOR HYUNDAIS-ID3		

MAT'L		QTY.	1	UNITS	MM	SHEET	1 of 1
FINISH		SCALE	5/16				
DRAW	JDNAS	10/03/03	PRODUCT NAME:	D212A			
DSGN	JDNAS	10/13/03	DRAWING NAME:	#8028-DISPLAY ASSY-12.1" TFT FOR HYUNDAIS-ID3			
CHECK	CC WANG	10/13/03	APPRD.	FT YANG	10/21/03	FILE NO.	E1087-08
						PART NO.	86-636905-70

Twinhead



REV.	DATE	DESCRIPTION	CHANGE BY	APPROVAL BY	REMARKS
0	10/03/03	NEW		FT YANG	
					TDC03121-00
					MDI S/N

SCALE 0.170

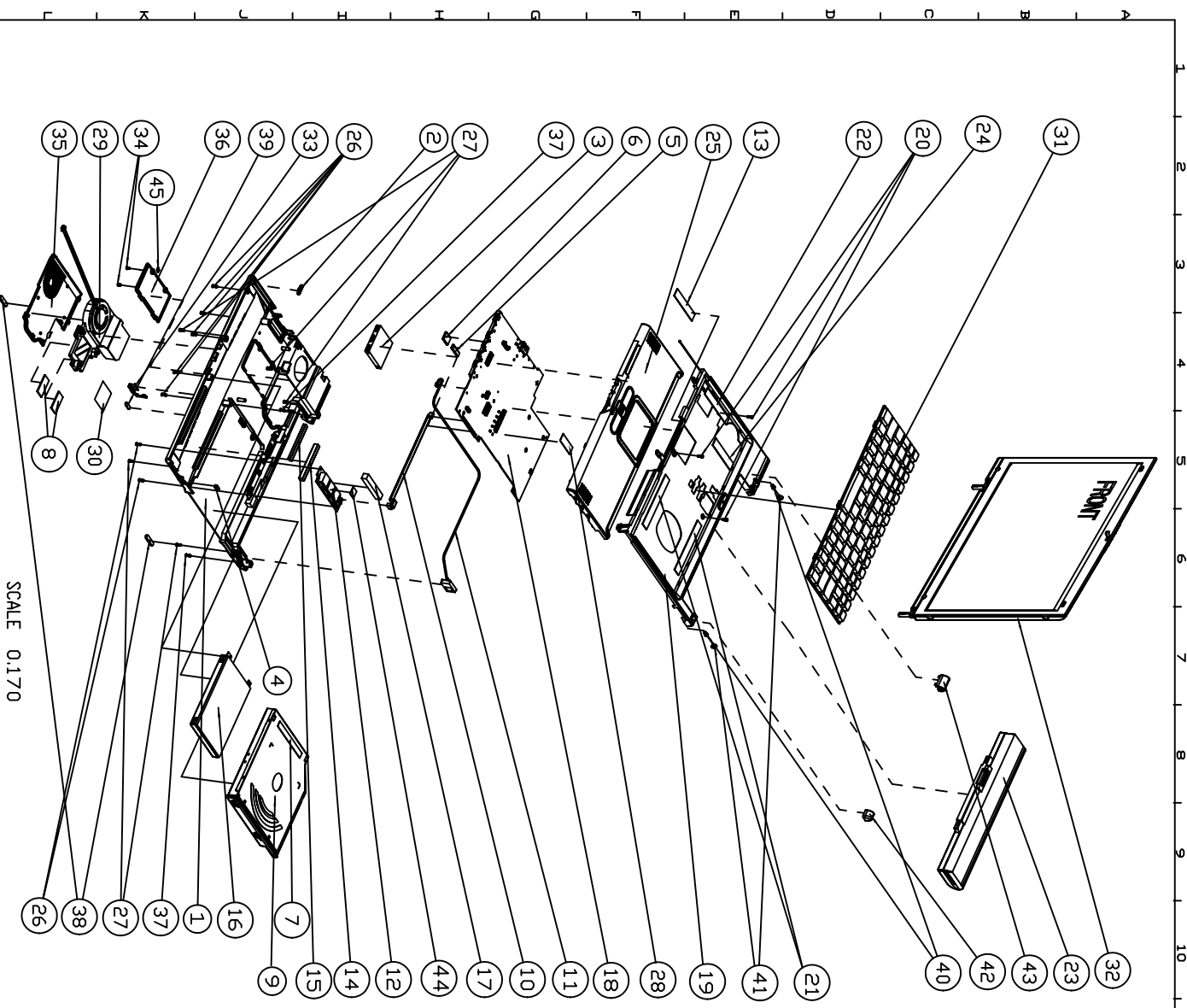
TOLERANCE UNLESS OTHERWISE SPEC.			
	Metel	Plastic	PCB
0--20	±0.10	±0.10	±0.10
20--99	±0.15	±0.15	±0.15
100--199	±0.20	±0.25	±0.20
200-----	±0.25	±0.30	±0.25

ITEM	PART NO	DESCRIPTION	QTY	DRAW NO
45	50-023421-00	D212A-MYLAR FOR RAM DOOR-BLACK	1	E4641
44	E7-300051-20	N2E2S1-GASKET TAPE	1	D4877
43	50-035142-50	D212A-HINGE COVER L FOR UNIBDK-#8735	1	E4342
42	50-035141-50	D212A-HINGE COVER R FOR UNIBDK-#8735	1	E4343
41	52-002021-00	N2E2S1-SCREW RUBBER	2	D4829
40	41-850520-06	SCREW ISDT-M2*6L-SELF-LOCKING	2	B3521
39	52-002022-00	N2E2S1-LOWER CD-ROM RUBBER	2	D4839
38	52-000000-00	N2E2S1-RUBBER FOOT	2	D4681
37	41-721326-05	SCREW ISDT-M2.6*3L-NYLK	2	B3516
36	50-021250-90	D212A RAM DOOR FOR UNIBDK-#8735	1	C3323
35	50-963601-80	D212A CPU DOOR ASSY #8735	1	E1079
34	41-721520-03	SCREW ISDP-M2*6L	2	B3521
33	40-002311-00	N2E2S1-HARNESS COVER	1	C3321
32	1214	XGA LCD ASSY	1	
31		KEYBOARD	1	
30	E7-330000-00	ALL MODEL-THERMAL PAD FOR HEATSINK	1	D4649
29	40-003510-11	P22A-J-HEATSINK MIDDLE W/FAN-SCREW THREAD	1	K11788
28	51-350094-15	P88S-CONDUCTIVE SPONGE (Q0V*0.5H*45L)	1	K11788
27	41-850520-06	SCREW ISDP-M2*6L-SELF-LOCKING	5	B3521
26	41-850520-06	SCREW ISDP-M2*6L-SELF-LOCKING	7	B3521
25	77-636009-30	D212A-#8735 PALM REST KIT-W/O WIRELESS LAN	1	E1087-16
24	51-350094-15	P88S-CONDUCTIVE SPONGE (Q0V*0.5H*45L)	1	K11788
23		BATTERY ASSY	1	
22	51-350094-15	P88S-CONDUCTIVE SPONGE (Q0V*0.5H*45L)	1	K11788
21	51-350094-15	P88S-CONDUCTIVE SPONGE (Q0V*0.5H*45L)	2	K11788
20	41-850520-06	SCREW ISDP-M2*6L-SELF-LOCKING	3	B3521
19	50-963601-50	D212A-#8735 UPPER COVER ASSY	1	E1087-22
18		PCBA W/BIOSU	1	
17	52-002020-00	N2E2S1-HDD RUBBER (V*W*H*45L)	1	D4693
16		HDD ASSY	1	
15	51-350094-02	CONDUCTIVE SPONGE (5V*3.5H*80L)	1	K11788
14	51-350094-03	CONDUCTIVE SPONGE (5V*5.5H*80L)	1	K11788
13	51-350094-16	P93S CONDUCTIVE SPONGE (Q0V*2H*20L)	1	K11788
12		PCB USB ASSY	1	
11	29-001638-20	D212A-RJ45 JACK HARNESS BACK	1	S1638
10	29-015340-00	P22A-RJ45-USB-F-PC	1	CA340
9		CD-ROM	1	
8	51-350094-01	CONDUCTIVE SPONGE (5V*1H*15L)	2	
7	51-350094-10	CONDUCTIVE SPONGE (5V*0.5H*85L)	1	K11788
6	51-350094-16	P93S-CONDUCTIVE SPONGE (Q0V*2H*10L)	1	K11788
5	51-350100-00	CONDUCTIVE SPONGE (5V*1H*20L)	1	K11788
4	52-002080-00	P22A-J-RUBBER FUR USB-4X2cm I=2mm	1	E4512
3	28-E00022-11	END FAN-L=80mm-W/SPONGE-#8035SALE V2	1	E4388
2	52-002030-00	N2E2S8P-SUPPORT RUBBER-20*20*5T	1	E1087-13
1	77-636007-20	D212A-#8735 LOWER COVER KIT	1	
		DESCRIPTION		
BDM	86-636000-30	#8735 SYSTEM CABINET-W/O WIRELESS LAN FOR UNIBDK		

MAT'L	SEE NOTE	QTY	1	UNITS	MM	SHEET	1 of 1
FINISH		SCALE	FREE				
DRAW	JONAS	10/03/03	PRODUCT NAME:	D212A			
DSGN	JONAS	10/03/03	DRAWING NAME:	#8735 SYSTEM CABINET V/O WIRELESS LAN FOR UNIBDK			
CHECK	CC WANG	10/21/03					
APPRD	FT YANG	10/21/03					
FILE NO.	E1087-09						
PART NO.	86-636000-30						

Twinhead

REV.	DATE	DESCRIPTION	CHANGE BY	APPROVAL BY	REMARKS
0	10/03/03	NEW		FT YANG	
					TDC031021-00
					MDI S/N



SCALE 0.170

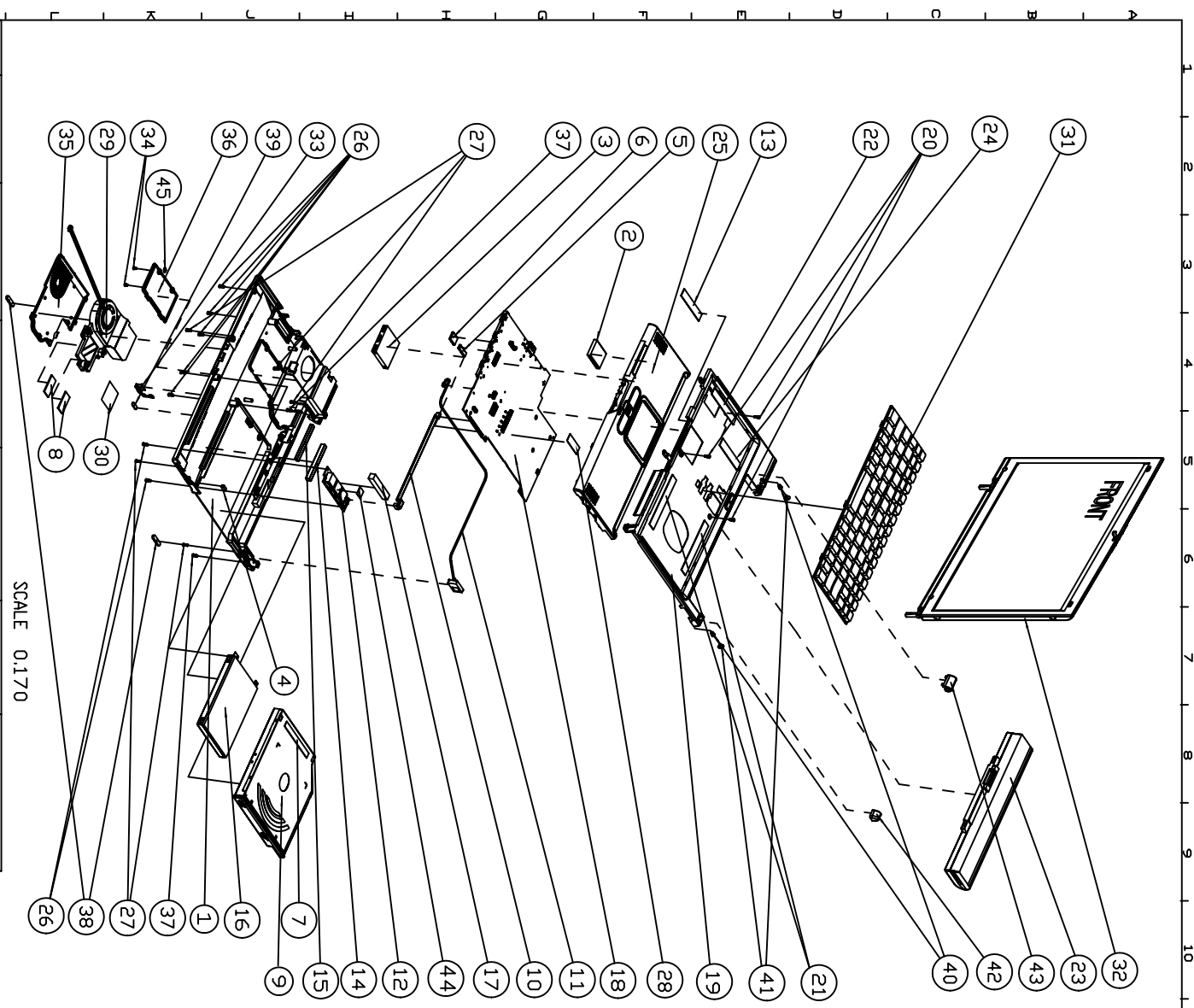
TOLERANCE UNLESS OTHERWISE SPEC.			
	Metel	Plastic	PCB
0--20	±0.10	±0.10	±0.10
20--99	±0.15	±0.15	±0.15
100--199	±0.20	±0.25	±0.20
200-----	±0.25	±0.30	±0.25

ITEM	PART NO	DESCRIPTION	QTY	DRAW NO
45	50-023421-00	D212A-MYLAR FOR RAM DOOR-BLACK	1	E4641
44	27-300051-20	N2E2S1-GASKET TAPE	1	D4877
43	50-035142-50	D212A-HINGE COVER L FOR UNIBOK-#8735	1	E4342
42	50-035141-50	D212A-HINGE COVER R FOR UNIBOK-#8735	1	E4343
41	52-002021-00	N2E2S1-SCREW RUBBER	2	D4829
40	41-850520-06	SCREW ISIT-M2*6L-SELF-LOCKING	2	B3521
39	52-002022-00	N2E2S1-DOVER CD-ROM RUBBER	2	D4839
38	52-000000-00	N2E2S1-RUBBER FOOT	2	D4681
37	41-721326-05	SCREW ISIT-M2.6*3L-NYLOK	2	B3516
36	50-021250-90	D212A RAM DOOR FOR UNIBOK-#8735	1	C3323
35	50-963601-80	D212A CPU DOOR ASSY #8735	1	E1079
34	41-721520-03	SCREW ISIP-M2*6L	2	B3521
33	40-002311-00	N2E2S1-HARKNESS COVER	1	C3321
32	1214	XGA LCD ASSY	1	
31		KEYBOARD	1	
30	27-330000-00	ALL MODEL-THERMAL PAD FOR HEATSINK	1	D4649
29	40-003510-11	P22A-J-HEATSINK MIDDLE W/FAN-SCREW THREAD	1	K11788
28	51-350094-15	P88S-CONDUCTIVE SPONGE (10V*3.5H*45L)	1	K11788
27	41-850520-06	SCREW ISIP-M2*6L-SELF-LOCKING	5	B3521
26	41-850520-06	SCREW ISIP-M2*6L-SELF-LOCKING	7	B3521
25	77-636009-20	D212A-#8735 PALM REST KIT-W/WIRELESS LAN	1	E1087-17
24	51-350094-15	P88S-CONDUCTIVE SPONGE (10V*3.5H*45L)	1	K11788
23		BATTERY ASSY	1	
22	51-350094-15	P88S-CONDUCTIVE SPONGE (10V*3.5H*45L)	1	K11788
21	51-350094-03	P93S-CONDUCTIVE SPONGE (5V*5.5H*80L)	3	B3521
20	41-850520-06	SCREW ISIP-M2*6L-SELF-LOCKING	3	B3521
19	77-636007-10	D212A-#8735 UPPER COVER KIT V/ANTENNA	1	E1087-19
18		PCBA W/BISU	1	
17	52-002020-00	N2E2S1-HDD RUBBER (7V*7H*45L)	1	D4693
16		HDD ASSY	1	
15	51-350094-02	CONDUCTIVE SPONGE (5V*3.5H*80L)	1	K11788
14	51-350094-03	CONDUCTIVE SPONGE (5V*5.5H*80L)	1	K11788
13	51-350094-16	P93S-CONDUCTIVE SPONGE (10V*2H*20L)	1	K11788
12		PCB USB ASSY	1	
11	29-001638-20	D212A-RJ45 JACK HARNESS BACK	1	S1638
10	29-015340-00	P22A-J-SB-USB-F-PC	1	CA340
9		CD-ROM	1	
8	51-350094-01	CONDUCTIVE SPONGE (5V*4H*15L)	2	K11788
7	51-350094-10	CONDUCTIVE SPONGE (5V*4H*85L)	1	K11788
6	51-350094-16	P93S-CONDUCTIVE SPONGE (10V*2H*10L)	1	K11788
5	51-350100-00	CONDUCTIVE SPONGE (5V*4H*20L)	1	K11788
4	52-002080-00	P22A-J-RUBBER FDR USB-4X2cm I=2mm	1	E4512
3	28-200022-11	END FAN-L=60mm-W/SPONGE-B0535ALEV2	1	E4499
2	50-041100-00	P22A-V-CAP FDR VL SWITCH	1	E1087-13
1	77-636007-20	D212A-#8735 LOWER COVER KIT	1	E1087-13
BDM	86-636000-20	#8735 SYSTEM CABINET-W/WIRELESS LAN FOR UNIBOK		

MAT'L	SEE NOTE	QTY	1	UNITS	MM	SHEET	1 of 1
FINISH		SCALE	FREE				
DRAW	JONAS	10/03/03		PRODUCT NAME:	D212A		
DSGN	JONAS	10/03/03		DRAWING NAME:	#8735 SYSTEM CABINET W/WIRELESS LAN FOR UNIBOK		
CHECK	CC WANG	10/21/03		APPROVAL BY:	FT YANG		
APPRD	FT YANG	10/21/03		FILE NO.	E1087-10		
				PART NO.	86-636000-20		

Twinhead

REV.	DATE	DESCRIPTION	CHANGE BY	APPROVAL BY	REMARKS
0	10/03/03	NEW		FT YANG	
					TDC031021-00
					MDI S/N



SCALE 0.170

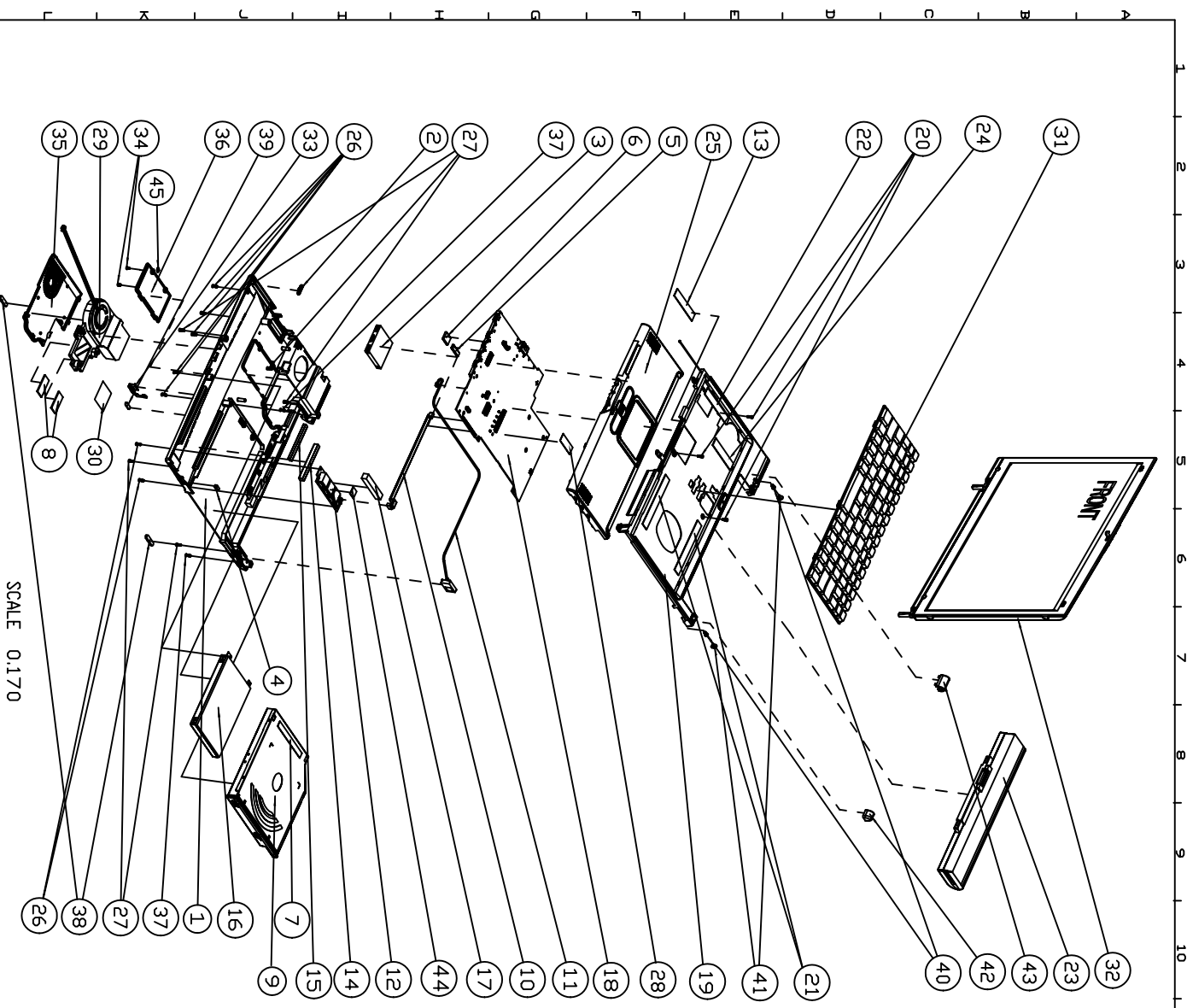
TOLERANCE UNLESS OTHERWISE SPEC.			
	Metel	Plastic	PCB
0--20	±0.10	±0.10	±0.10
20--99	±0.15	±0.15	±0.15
100--199	±0.20	±0.25	±0.20
200-----	±0.25	±0.30	±0.25

ITEM	PART NO	DESCRIPTION	QTY	DRAW NO
45	50-023421-00	D212A-MYLAR FOR RAM DOOR-BLACK	1	E4641
44	E7-300051-20	N2E2S1-GASKET TAPE	1	D4877
43	50-035142-30	D212A-HINGE COVER L -#8028	1	E4342
42	50-035141-30	D212A-HINGE COVER R -#8028	1	E4343
41	52-002021-00	N2E2S1-SCREW RUBBER	2	D4829
40	41-850520-06	SCREW ISPT-M2*6L-SELF-LOCKING	2	B3521
39	52-002022-20	P22AJ-LOWER CD-ROM RUBBER PANTONE 428C	1	D4681
38	52-000000-20	P22AJ-RUBBER FOOT PANTONE 428C	2	B3516
37	41-721326-05	SCREW ISPT-M2.6*5L-NYLK	2	B3521
36	50-02150-70	P22AJ RAM DOOR -#8028	1	C3323
35	50-963001-20	P22AJ CPU DOOR ASSY #8028	1	E1081
34	41-721520-03	SCREW ISPT-M2*6L	2	B3521
33	40-002311-00	N2E2S1-HARNES COVER	1	C3321
32	121' XGA LCD ASSY		1	
31	KEYBOARD		1	
30	E7-330000-00	ALL MODEL-THERMAL PAD FOR HEATSINK	1	D4649
29	40-003510-11	P22AJ-HEATSINK MIDDLE W/FAN-SCREW THREAD	1	K11788
28	51-350094-15	P88S-CONDUCTIVE SPONGE (0.0V*0.5H*45L)	1	K11788
27	41-850520-06	SCREW ISPT-M2*6L-SELF-LOCKING	5	B3521
26	41-850520-06	SCREW ISPT-M2*6L-SELF-LOCKING	1	B3521
25	77-636009-00	D212A-#8028 PALM REST KIT-W/O WIRELESS LAN	1	E1087-14
24	51-350094-15	P88S-CONDUCTIVE SPONGE (0.0V*0.5H*45L)	1	K11788
23	BATTERY ASSY		1	
22	51-350094-15	P88S-CONDUCTIVE SPONGE (0.0V*0.5H*45L)	1	K11788
21	51-350094-15	P88S-CONDUCTIVE SPONGE (0.0V*0.5H*45L)	2	K11788
20	41-850520-06	SCREW ISPT-M2*6L-SELF-LOCKING	3	B3521
19	50-963601-00	D212A-#8028/8525 UPPER COVER ASSY	1	E1087-22
18	PCB/A W/B15U		1	
17	52-002020-00	N2E2S1-HDD RUBBER (7V*7H*45L)	1	D4693
16	HDD ASSY		1	
15	51-350094-02	CONDUCTIVE SPONGE (5V*3.5H*80L)	1	K11788
14	51-350094-03	CONDUCTIVE SPONGE (5V*5.5H*80L)	1	K11788
13	51-350094-16	P93S CONDUCTIVE SPONGE (0.0V*2H*20L)	1	K11788
12	PCB USB ASSY		1	
11	29-001638-02	N2E2S1-RJ45 JACK HARNES BACK	1	S1638
10	29-015340-00	P22AJ-SB-USB-F-PC	1	CA340
9	CD-ROM		1	
8	51-350094-01	CONDUCTIVE SPONGE (5V*1H*15L)	2	
7	51-350094-10	CONDUCTIVE SPONGE (5V*0.5H*85L)	1	K11788
6	51-350094-16	P93S-CONDUCTIVE SPONGE (0.0V*2H*10L)	1	K11788
5	51-350100-00	CONDUCTIVE SPONGE (5V*1H*20L)	1	K11788
4	52-002080-00	P22AJ-RUBBER FUR USB-4X2cm I=2mm	1	E4512
3	28-E00022-11	END FAN-L=80mm-W/SPONGE-80S35ALEV2	1	E4388
2	52-002030-00	N2E2S8P-SUPPRT RUBBER-20*20*5T	1	E1086
1	77-636007-00	P22AJ-#8028H LOWER COVER KIT	1	E4388
ITEM		DESCRIPTION	QTY	DRAW NO
BDM	86-636000-00	#8028/8525 SYSTEM CABINET-W/O WIRELESS LAN		

MAT'L	SEE NOTE	QTY	1	UNITS	MM	SHEET	1 of 1
FINISH		SCALE	FREE				
DRAW	JONAS	10/03/03	PRODUCT NAME:	D212A			
DSGN	JONAS	10/03/03	DRAWING NAME:	#8028/8525 SYSTEM CABINET W/O WIRELESS LAN			
CHECK	CC WANG	10/21/03	APPRD	FT YANG	10/21/03	FILE NO.	E1087-11
						PART NO.	86-636000-00

Twinhead

REV.	DATE	DESCRIPTION	CHANGE BY	APPROVAL BY	REMARKS
0	10/03/03	NEW		FT YANG	
					TDC031021-00
					MDI S/N



SCALE 0.170

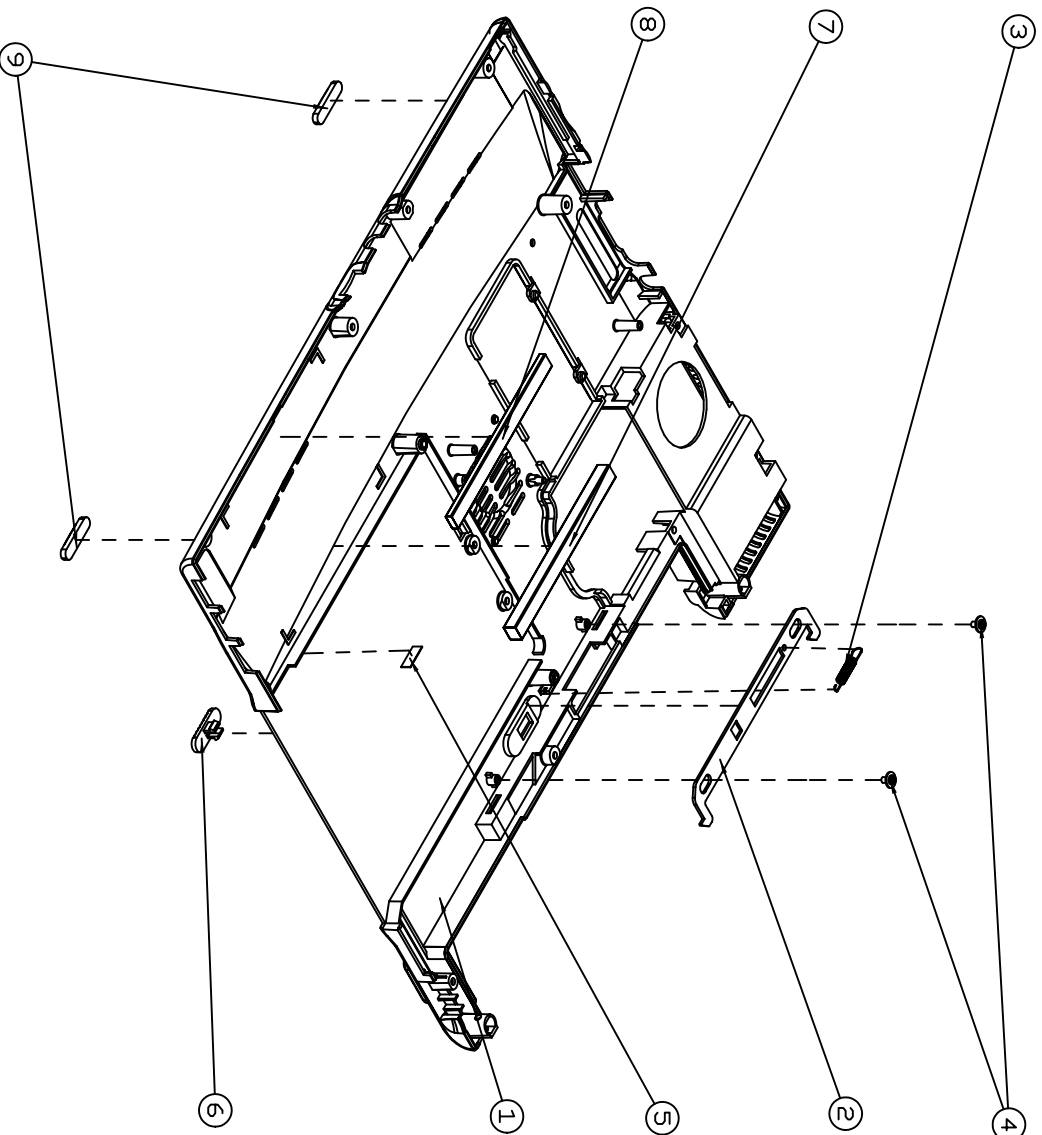
TOLERANCE UNLESS OTHERWISE SPEC.			
	Metal	Plastic	PCB
0--20	±0.10	±0.10	±0.10
20--99	±0.15	±0.15	±0.15
100--199	±0.20	±0.25	±0.20
200-----	±0.25	±0.30	±0.25

ITEM	PART NO	DESCRIPTION	QTY	DRAW NO
45	50-023421-00	D212A-MYLAR FOR RAM DOOR-BLACK	1	E4641
44	27-300051-20	N2E2S1-GASKET TAPE	1	D4877
43	50-035142-30	D212A-HINGE COVER L -#8028	1	E4342
42	50-035141-30	D212A-HINGE COVER R -#8028	1	E4343
41	52-002021-00	N2E2S1-SCREW RUBBER	2	D4829
40	41-850520-06	SCREW ISPT-M2*6L-SELF-LOCKING	2	B3521
39	52-002022-20	P22AU-LOWER CH-RM RUBBER PAINTLINE 428C	1	D4839
38	52-000000-20	P22AU-RUBBER FOOT PAINTLINE 431C	2	D4681
37	41-721326-05	SCREW ISPT-M2.6*3L-NYLTK	2	B3516
36	50-02150-70	P22AU RAM DOOR -#8028	1	C3323
35	50-963001-20	P22AU CPU DOOR ASSY #8028	1	E1079
34	41-721520-03	SCREW ISPT-M2*6L	2	B3521
33	40-002311-00	N2E2S1-HARNES COVER	1	C3321
32	1214	XGA LCD ASSY	1	
31		KEYBOARD	1	
30	27-330000-00	ALL MODEL-THERMAL PAD FOR HEATSINK	1	D4649
29	40-003510-11	P22AU-HEATSINK MIDDLE W/FAN-SCREW THREAD	1	K11788
28	51-350094-15	P88S-CONDUCTIVE SPONGE (10V*0.5H*45L)	1	K11788
27	41-850520-06	SCREW ISPT-M2*6L-SELF-LOCKING	5	B3521
26	41-850520-06	SCREW ISPT-M2*6L-SELF-LOCKING	7	B3521
25	77-636009-10	D212A-#8028 PALM REST KIT-W/WIRELESS LAN	1	E1087-15
24	51-350094-15	P88S-CONDUCTIVE SPONGE (10V*0.5H*45L)	1	K11788
23		BATTERY ASSY	1	
22	51-350094-15	P88S-CONDUCTIVE SPONGE (10V*0.5H*45L)	1	K11788
21	51-350094-15	P88S-CONDUCTIVE SPONGE (10V*0.5H*45L)	2	K11788
20	41-850520-06	SCREW ISPT-M2*6L-SELF-LOCKING	3	B3521
19	77-636007-00	D212A-#8028 UPPER COVER KIT V/ANTENNA	1	E1087-18
18		PCBA W/BISU	1	
17	52-002020-00	N2E2S1-HDD RUBBER (7V*7H*45L)	1	D4693
16		HDD ASSY	1	
15	51-350094-02	CONDUCTIVE SPONGE (5V*3.5H*80L)	1	K11788
14	51-350094-03	CONDUCTIVE SPONGE (5V*5.5H*80L)	1	K11788
13	51-350094-16	P93S CONDUCTIVE SPONGE (10V*2H*20L)	1	K11788
12		PCB USB ASSY	1	
11	29-001638-02	N2E2S1-RJ45 JACK HARNES BACK	1	S1638
10	29-015340-00	P22AU-SB-USB-F-PC	1	CA340
9		CD-ROM	1	
8	51-350094-01	CONDUCTIVE SPONGE (5V*1H*15L)	2	
7	51-350094-10	CONDUCTIVE SPONGE (5V*0.5H*85L)	1	K11788
6	51-350094-16	P93S-CONDUCTIVE SPONGE (10V*2H*10L)	1	K11788
5	51-350100-00	CONDUCTIVE SPONGE (5V*1H*20L)	1	K11788
4	52-002080-00	P22AU-RUBBER FDR USB-4X2cm I=2mm	1	E4512
3	28-200022-11	END FAN-L=50mm-W/SPONGE-8B035ALEV2	1	E4499
2	50-041100-00	P22AU-CAP FOR VL SWITCH	1	E1089
1	77-636007-00	P22AU-#8028M LOWER COVER KIT	1	E1089
BDM	86-636000-10	#8028/8525 SYSTEM CABINET-V/W/WIRELESS LAN		

MAT'L	SEE NOTE	QTY	1	UNITS	MM	SHEET	1 of 1
FINISH		SCALE	FREE				
DRAW	JONAS	DATE	10/03/03	PRODUCT NAME:	D212A		
DSGN	JONAS	DATE	10/03/03	DRAWING NAME:	#8028/8525 SYSTEM CABINET V/W/WIRELESS LAN		
CHECK	CC WANG	DATE	10/21/03	APPRD	FT YANG	DATE	10/21/03
FILE NO.				E1087-12			
PART NO.				86-636000-10			

Twinhead

TOLERANCE UNLESS OTHERWISE SPEC.			
	Metal	Plastic	PCB
0--20	±0.10	±0.10	±0.10
20--99	±0.15	±0.15	±0.15
100--199	±0.20	±0.25	±0.20
200-----	±0.25	±0.30	±0.25



SCALE 0.500

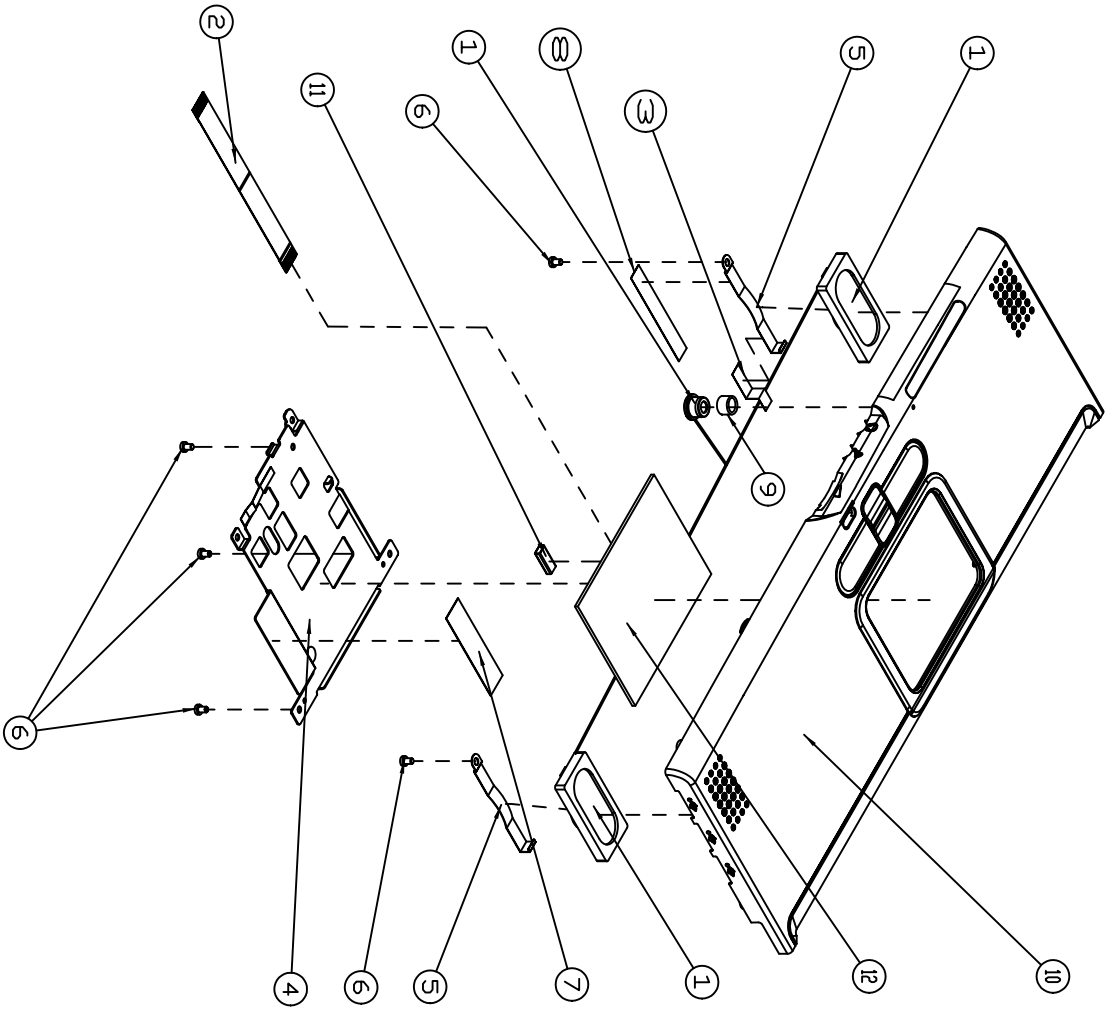
9	52-000000-00	N222S1 RUBBER FOOT	2	D4681
8	51-036042-00	N222S1-HDD SPONGE FOR LOWER DOWN SIDE	1	D4688
7	51-036041-00	N222S1-HDD SPONGE FOR LOWER UP SIDE	1	D4688
6	50-043000-50	D212A BATTERY LATCH #8735	1	D4540
5	50-023310-00	N222S8L-MYLAR-10X4X0.2T-SDTEC	1	E4329
4	41-420520-03	SCREW BPS/W(Ø5.5)-M2X3L-NYLDK	2	B3892
3	40-011951-00	N222S1-BATTERY LATCH SPRING	1	D4790
2	40-006040-00	N222S1-BATTERY HOOK	1	B3377
1	40-002420-20	D212A LOWER COVER FOR UNIBOK #8735	1	B1277
ITEM	PART NO	DESCRIPTION	QTY	FILE NO
BOM	77-636007-20	D212A-#8735 LOWER COVER KIT		

REV.	DATE	DESCRIPTION	CHANGE BY	APPROVAL BY	REMARKS
0	10/02/'03	NEW	FT YANG		TDC031021-00

MAT'L	SEE NOTE	QTY	1	UNITS	MM	SHEET	1 of 1
FINISH		SCALE	FREE				
DRAW	RAYMEND	10/02/'03	PRODUCT NAME:	D212A			
DSGN	JONAS	10/16/'03	DRAWING NAME:	#8735 LOWER COVER KIT			
CHECK	CC WANG	10/17/03	FILE NO.	E1087-13			
APPRD	FT YANG	10/21/03	PART NO.	77-636007-20			

Twinhead

TOLERANCE UNLESS OTHERWISE SPEC.			
	Metal	Plastic	PCB
0--20	±0.10	±0.10	±0.10
20--99	±0.15	±0.15	±0.15
100--199	±0.20	±0.25	±0.20
200-----	±0.25	±0.30	±0.25



SCALE 0.500

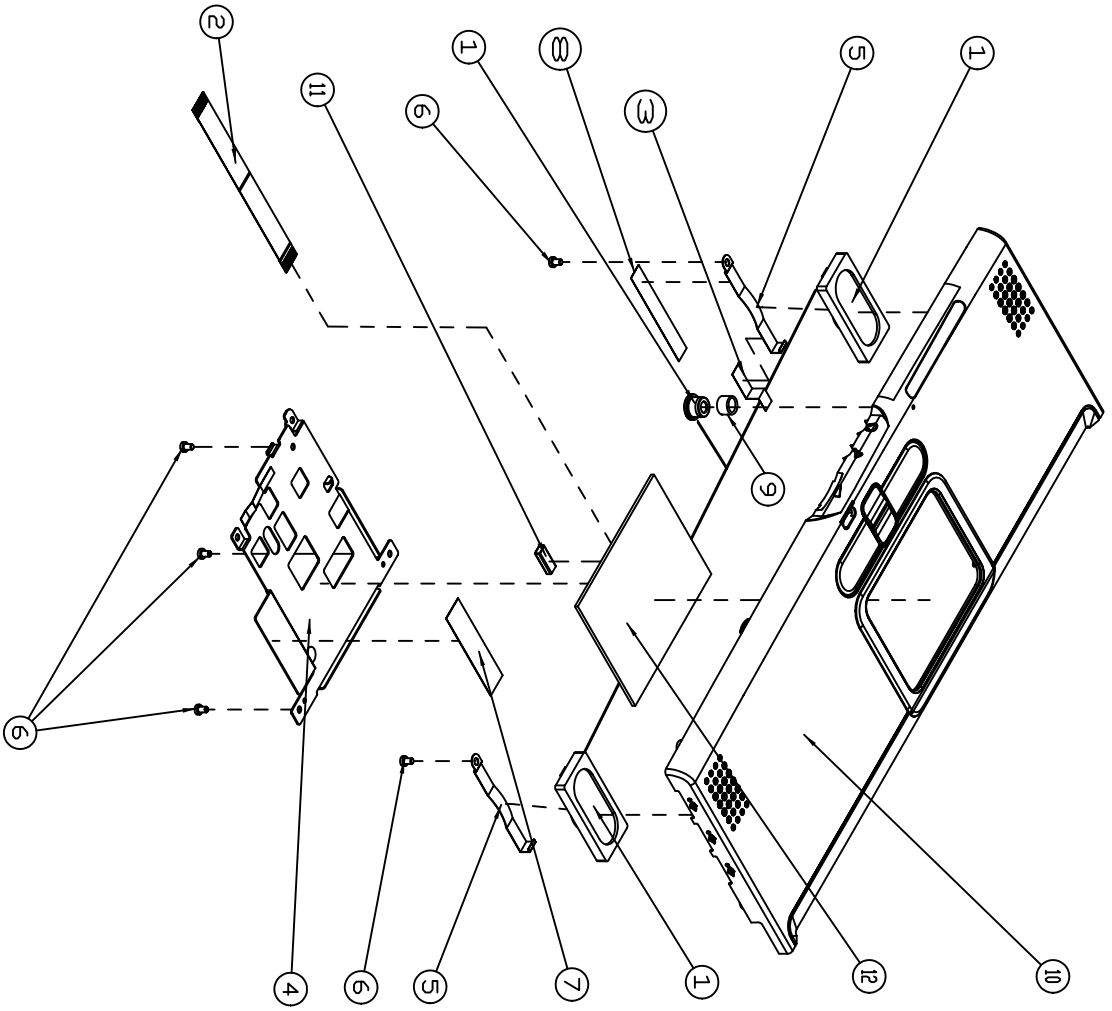
ITEM	PART NO	DESCRIPTION	QTY	FILE NO
12	73-080050-00	TOUCH PAD-FOR SOTEC-SYNAPTICS-TM41PDR235	1	
11	51-350094-01	CONDUCTIVE SPONGE 5X2X1000mm	02	K11788
10	50-963601-10	D212A-PALM REST ASSY W/D WIRELESS LAN#8028	1	E1087-20
9	50-040167-00	P78-MICRO PHONE RUBBER	1	B4549
8	50-023335-20	P22AJ MYLAR FOR SPEAKER BRACKET 41*6.5*0.1	1	E4617
7	50-023320-00	N222S8P-MYLAR 38X10X0.2T-SOTEC	1	E4353
6	41-721520-03	SCREW ISDT-MEX3L-SELF-LOCKING ØD3.5mm	5	B4424
5	40-030696-00	N222S1-SPEAKER BRACKET	2	D4690
4	40-030530-02	N222S8P-TOUCH PAD BRACKET-SOTEC	1	B2311
3	40-007060-00	N222S1 CU FOIL FOR SPEAKER BRACKET	1	D4872
2	29-016338-00	P22AJ-FFC(P=1.0)FOR TOUCHPAD	1	CA338
1	22-300036-00	SPEAKER(RXL)-W/D MICROPHONE	1	C3379
ITEM		DESCRIPTION	QTY	FILE NO
BOM		D212A-#8028 PLAM REST KIT-W/D WIRELESS LAN		

REV.	DATE	DESCRIPTION	CHANGE BY	APPROVAL BY	REMARKS
0	10/02/03	NEW		FT YANG	TDC031021-00

MAT'L		QTY	1	UNITS	MM	SHEET	1 of 1
FINISH		SCALE	0.5				
DRAW	RAYMEND	10/02/03	PRODUCT NAME:		D212A		
DSGN	JONAS	10/16/03	DRAWING NAME:		#8028 PALM REST KIT W/D WIRELESS LAN		
CHECK	CC WANG	10/20/03	FILE NO.		E1087-14		
APPR	FT YANG	10/21/03	PART NO.		77-636009-00		

Twinhead

TOLERANCE UNLESS OTHERWISE SPEC.			
	Metal	Plastic	PCB
0--20	±0.10	±0.10	±0.10
20--99	±0.15	±0.15	±0.15
100--199	±0.20	±0.25	±0.20
200-----	±0.25	±0.30	±0.25



ITEM	PART NO	DESCRIPTION	QTY	FILE NO
12	73-080052-00	TOUCH PAD-FDR SOTEC-SYNAPTICS-TM41PDR235	1	
11	51-350094-01	CONDUCTIVE SPONGE 5X2X1000mm	02	K11788
10	50-963601-20	D212A-PALM REST ASS'Y W/ WIRELESS LAN#8028	1	E1087-21
9	50-040167-00	P78-MICRO PHONE RUBBER	1	B4549
8	50-023335-20	P22AJ MYLAR FDR SPEAKER BRACKET 41*6.5*0.1	1	E4617
7	50-023320-00	N222S8P-MYLAR 38X10X0.2T-SOTEC	1	E4353
6	41-721520-03	SCREW ISDT-MEX3L-SELF-LOCKING ØD3.5mm	5	B4424
5	40-030696-00	N222S1-SPEAKER BRACKET	2	D4690
4	40-030530-02	N222S8P-TOUCH PAD BRACKET-SOTEC	1	B2311
3	40-007060-00	N222S1 CU FOIL FDR SPEAKER BRACKET	1	D4872
2	29-016338-00	P22AJ-FFC(P=1.0)FDR TOUCHPAD	1	CA338
1	22-300036-00	SPEAKER(RXL)-W/D MICROPHONE	1	C3379
ITEM		DESCRIPTION	QTY	FILE NO
BOM		D212A-#8028 PLAM REST KIT-W/ WIRELESS LAN		

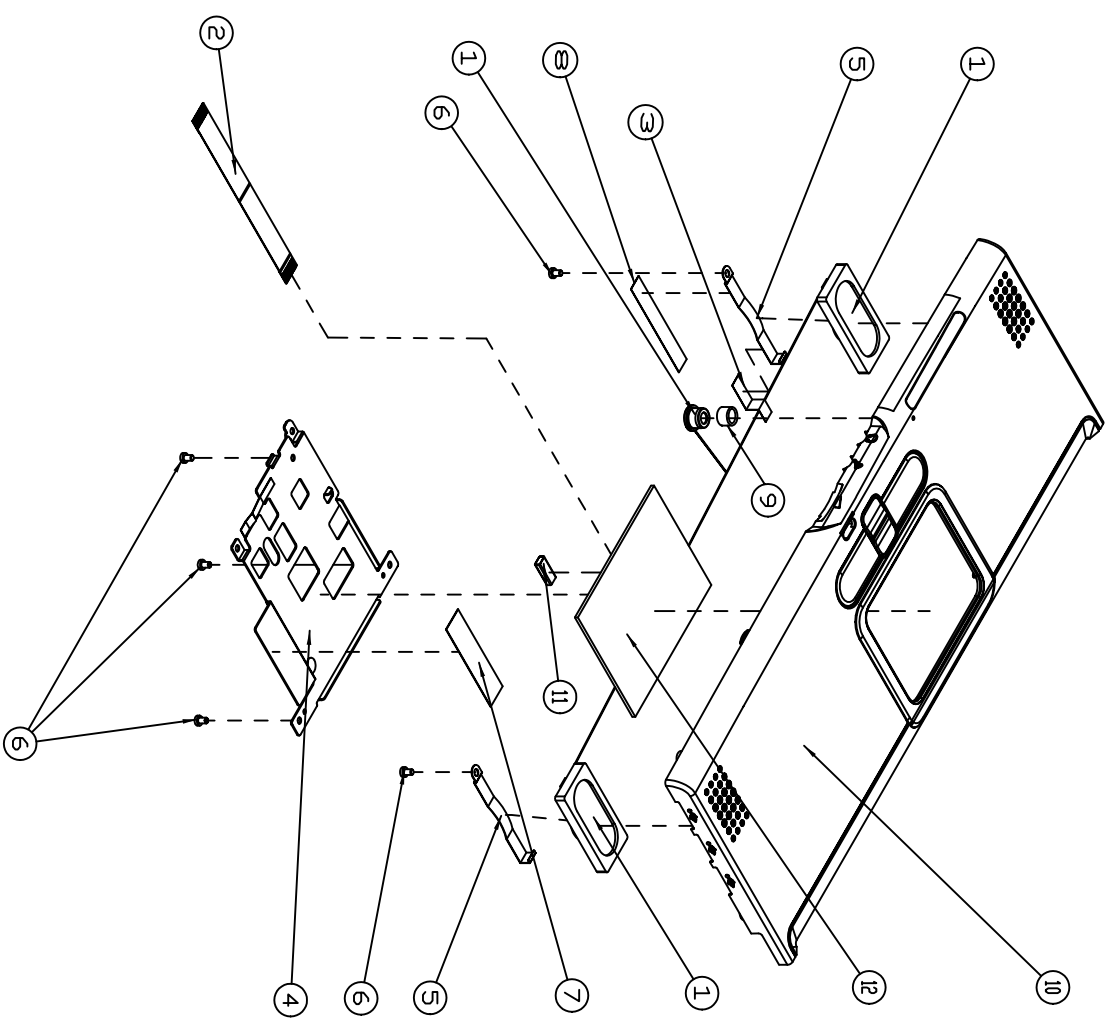
SCALE 0.500

REV.	DATE	DESCRIPTION	CHANGE BY	APPROVAL BY	REMARKS
0	10/02/03	NEW		FT YANG	TDC031021-00

MAT'L		QTY.	1	UNITS	MM	SHEET	1 of 1
FINISH		SCALE	0.5				
DRAW	RAYMEND	10/02/03	PRODUCT NAME:		D212A		
DSGN	JONAS	10/16/03	DRAWING NAME:		#8028 PALM REST KIT W/ WIRELESS LAN		
CHECK	CC WANG	10/16/03	FILE NO.		E1087-15		
APPR	FT YANG	10/21/03	PART NO.		77-636009-10		

Twinhead

TOLERANCE UNLESS OTHERWISE SPEC.			
	Metal	Plastic	PCB
0--20	±0.10	±0.10	±0.10
20--99	±0.15	±0.15	±0.15
100--199	±0.20	±0.25	±0.20
200-----	±0.25	±0.30	±0.25



SCALE 0.500

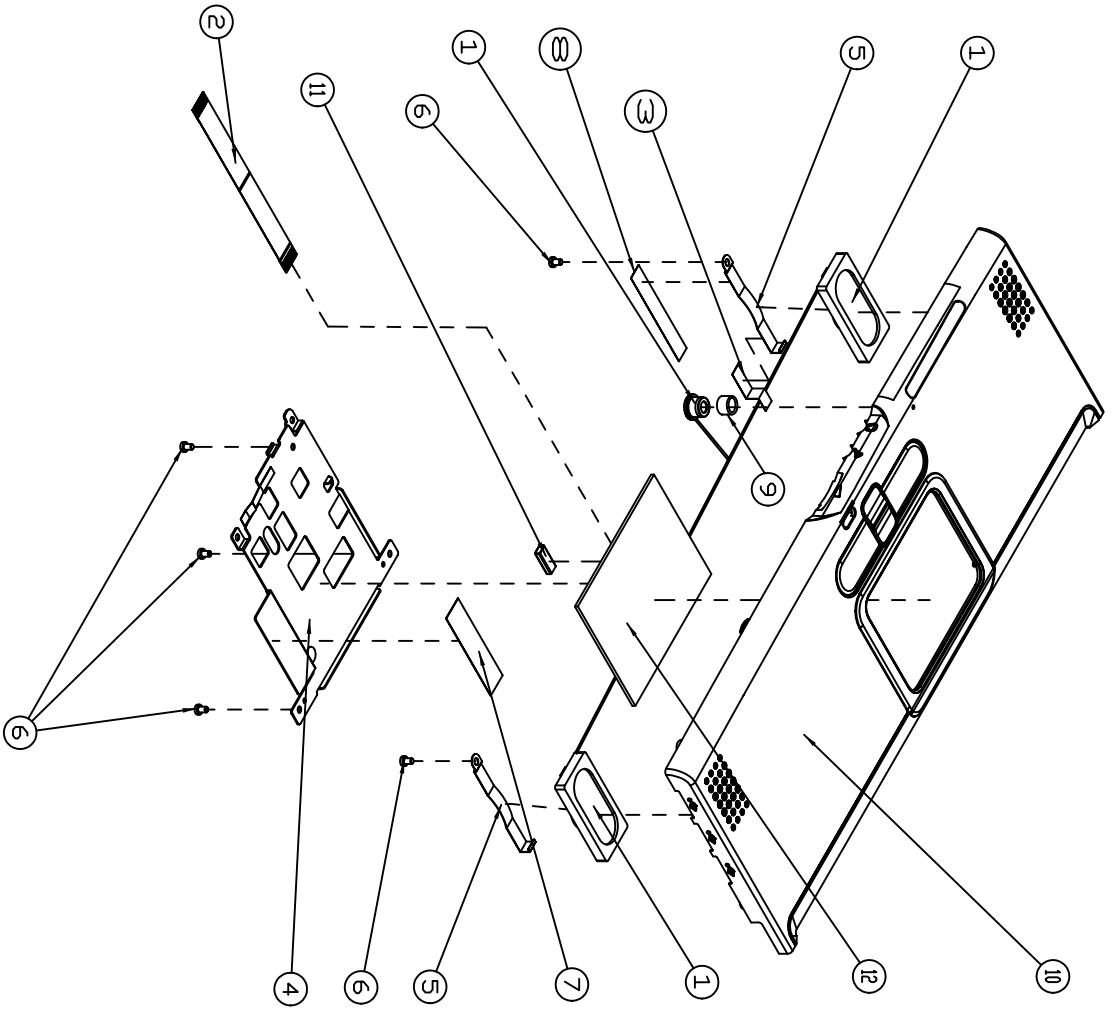
ITEM	PART NO	DESCRIPTION	QTY	FILE NO	
12	73-080050-00	TOUCH PAD-FDR SOTEC-SYNAPTICS-TM41PDR235	1		
11	51-350094-01	CONDUCTIVE SPONGE 5X2X1000mm	02	K11788	
10	50-963601-70	D212A-PALM REST ASSY W/D WIRELESS LAN#8735	1	E1087-20	
9	50-040167-00	P78-MICRO PHONE RUBBER	1	B4549	
8	50-023335-20	P22AJ MYLAR FDR SPEAKER BRACKET 41*6.5*0.1	1	E4617	
7	50-023320-00	N222S8P-MYLAR 38X10X0.2T-SOTEC	1	E4353	
6	41-721520-03	SCREW ISDT-MEX3L-SELF-LOCKING ØD3.5mm	5	B4424	
5	40-030696-00	N222S1-SPEAKER BRACKET	2	D4690	
4	40-030530-02	N222S8P-TOUCH PAD BRACKET-SOTEC	1	B2311	
3	40-007060-00	N222S1 CU FOIL FDR SPEAKER BRACKET	1	D4872	
2	29-016338-00	P22AJ-FFC(P=1.0)FDR TOUCHPAD	1	CA338	
1	22-300036-00	SPEAKER(RXL)-W/D MICROPHONE	1	C3379	
ITEM		PART NO	DESCRIPTION	QTY	FILE NO
BOM		77-636009-30	D212A-#8735 PLAM REST KIT-W/D WIRELESS LAN		

REV.	DATE	DESCRIPTION	CHANGE BY	APPROVAL BY	REMARKS
0	10/02/03	NEW		FT YANG	TDC031021-00

MAT'L		QTY.	1	UNITS	MM	SHEET	1 of 1
FINISH		SCALE	0.5				
DRAW	RAYMEND	10/02/03	PRODUCT NAME:		D212A		
DSGN	JONAS	10/16/03	DRAWING NAME:		#8735 PALM REST KIT W/D WIRELESS LAN		
CHECK	CC WANG	10/20/03	APPRD		FT YANG	10/21/03	
FILE NO.		E1087-16					
PART NO.		77-636009-30					

Twinhead

TOLERANCE UNLESS OTHERWISE SPEC.			
	Metal	Plastic	PCB
0--20	±0.10	±0.10	±0.10
20--99	±0.15	±0.15	±0.15
100--199	±0.20	±0.25	±0.20
200-----	±0.25	±0.30	±0.25



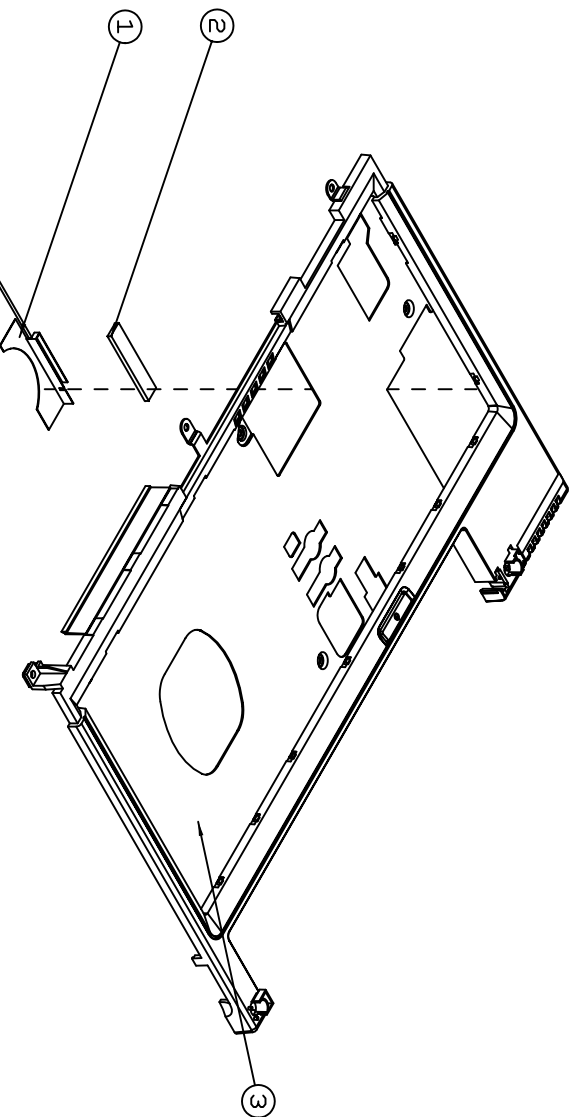
SCALE 0.500

ITEM	PART NO	DESCRIPTION	QTY	FILE NO
12	73-080050-00	TOUCH PAD-FOR SOTEC-SYNAPTICS-TM41PDR235	1	
11	51-350094-01	CONDUCTIVE SPONGE 5X2X1000mm	02	K11788
10	50-963601-60	D212A-PALM REST ASS'Y W/ WIRELESS LAN#8735	1	E1087-21
9	50-040167-00	P78-MICRO PHONE RUBBER	1	B4549
8	50-023335-20	P22AJ MYLAR FOR SPEAKER BRACKET 41*6.5*0.1	1	E4617
7	50-023320-00	N222S8P-MYLAR 38X10X0.2T-SOTEC	1	E4353
6	41-721520-03	SCREW ISDT-MEX3L-SELF-LOCKING ØD3.5mm	5	B4424
5	40-030696-00	N222S1-SPEAKER BRACKET	2	D4690
4	40-030530-02	N222S8P-TOUCH PAD BRACKET-SOTEC	1	B2311
3	40-007060-00	N222S1 CU FOIL FOR SPEAKER BRACKET	1	D4872
2	29-016338-00	P22AJ-FFC(P=1.0)FOR TOUCHPAD	1	CA338
1	22-300036-00	SPEAKER(RXL)-W/D MICROPHONE	1	C3379
ITEM		DESCRIPTION	QTY	FILE NO
BOM		D212A-#8735 PALM REST KIT-W/ WIRELESS LAN		

REV.	DATE	DESCRIPTION	CHANGE BY	APPROVAL BY	REMARKS
0	10/02/03	NEW		FT YANG	
					TDC031021-00
					MDI S/N

MAT'L		QTY.	1	UNITS	MM	SHEET	1 of 1
FINISH		SCALE	0.5				
DRAW	RAYMEND	10/02/03	PRODUCT NAME: D212A				
DSGN	JONAS	10/16/03	DRAWING NAME: #8735 PALM REST KIT W/ WIRELESS LAN				
CHECK	CC WANG	10/20/03					
APPR	FT YANG	10/21/03					
Twinhead		FILE NO.	E1087-17				
		PART NO.	77-636009-20				

TOLERANCE UNLESS OTHERWISE SPEC.			
	Metal	Plastic	PCB
0--20	±0.10	±0.10	±0.10
20--99	±0.15	±0.15	±0.15
100--199	±0.20	±0.25	±0.20
200-----	±0.25	±0.30	±0.25



SCALE 0.500

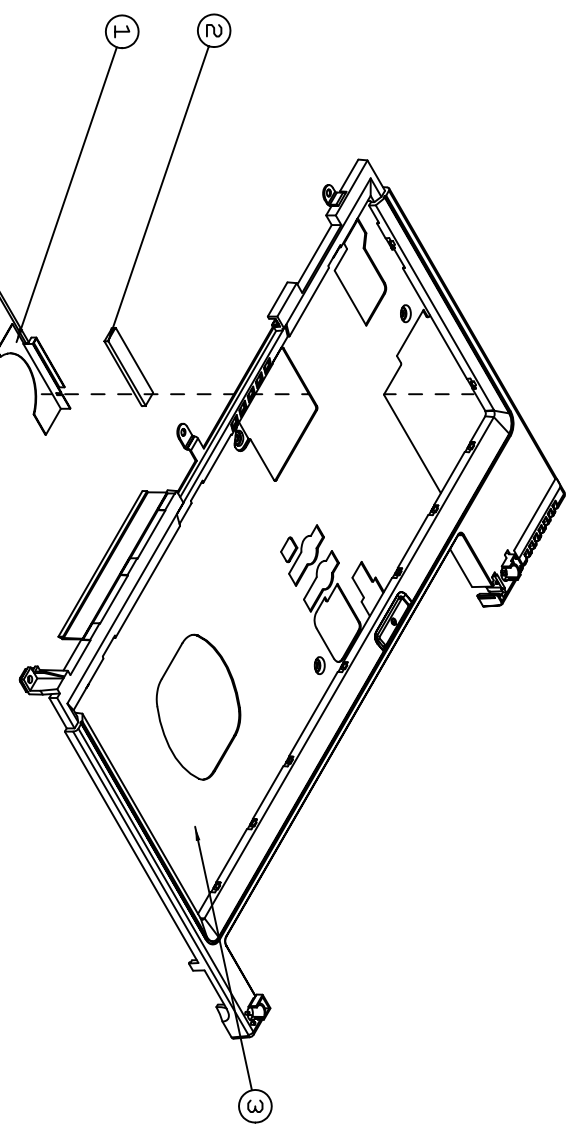
3	50-963601-00	D212A UPPER COVER ASS'Y #8028/8525	1	E1087-22
2	27-300021-00	A2121-DOUBLE ADHESIVE (R)-WX4mm t=0.15mm	1	KS38031
1	22-600060-11	PIFA ANTENNA P22T	1	C3530
ITEM	PART NO	DESCRIPTION	QTY	FILE NO
BOM	77-636007-00	D212A-#8028 UPPER COVER KIT-W/ANTENNA		

REV.	DATE	DESCRIPTION	CHANGE BY	APPROVAL BY	REMARKS
0	10/02/03	NEW		FT YANG	TDC031021-00

MAT'L	SEE NOTE	QTY	1	UNITS	MM	SHEET	1 of 1
FINISH		SCALE	FREE				
DRAW	RAYMEND	10/02/03	PRODUCT NAME: D212A				
DSGN	JONNAS	10/08/03	DRAWING NAME: #8028 UPPER COVER KIT W/ANTENNA				
CHECK	CC WANG	10/16/03					
APPRD	FT YANG	10/21/03					
FILE NO.		E1087-18					
PART NO.		77-636007-00					

Twinhead

TOLERANCE UNLESS OTHERWISE SPEC.			
	Metal	Plastic	PCB
0--20	±0.10	±0.10	±0.10
20--99	±0.15	±0.15	±0.15
100--199	±0.20	±0.25	±0.20
200-----	±0.25	±0.30	±0.25



SCALE 0.500

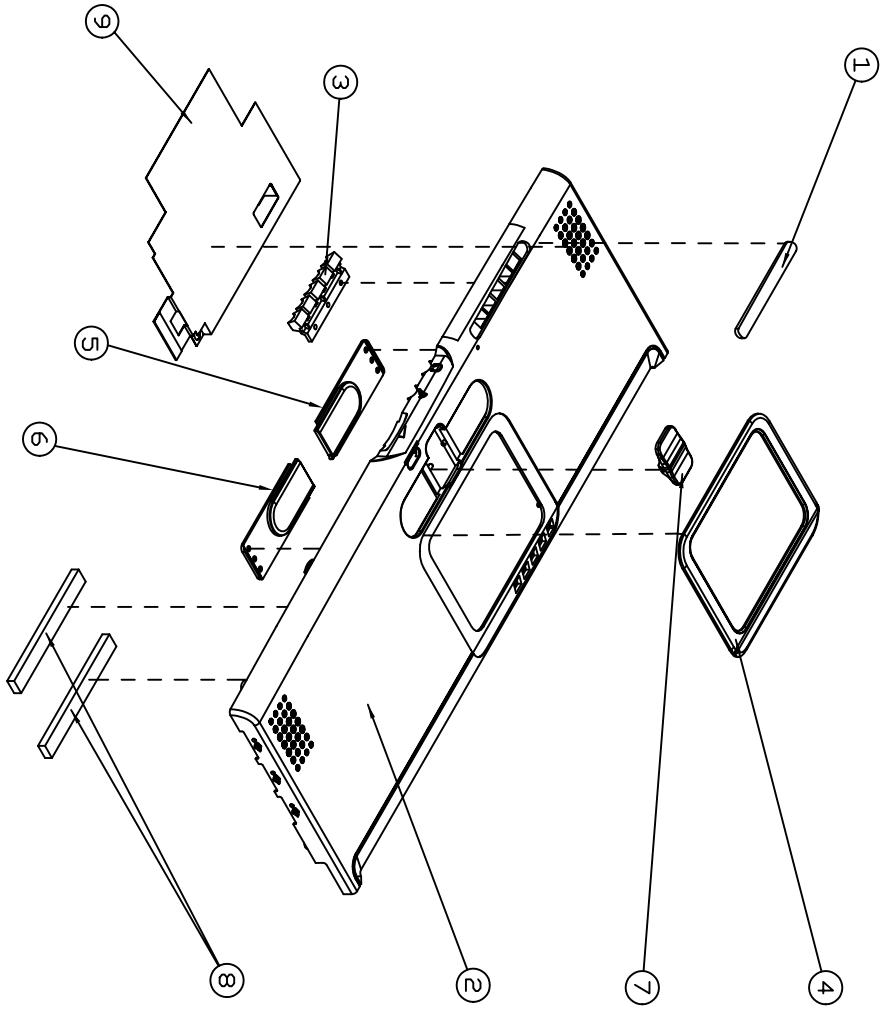
3	50-963601-50	D212A UPPER COVER ASS'Y #8735	1	E1087-22
2	27-300021-00	A2121-DOUBLE ADHESIVE (R)-WX4mm t=0.15mm	1	KS38031
1	22-600060-11	PIFA ANTENNA P22T	1	C3530
ITEM	PART NO	DESCRIPTION	QTY	FILE NO
BOM	77-636007-10	D212A-#8735 UPPER COVER KIT-W/ANTENNA		

REV.	DATE	DESCRIPTION	CHANGE BY	APPROVAL BY	REMARKS
0	10/02/03	NEW		FT YANG	TDC031021-00
					MDI S/N

MAT'L	SEE NOTE	QTY	1	UNITS	MM	SHEET	1 of 1
FINISH		SCALE	FREE				
DRAW	RAYMEND	10/02/03	PRODUCT NAME: D212A				
DSGN	JONNAS	10/08/03	DRAWING NAME: #8735 UPPER COVER KIT W/ANTENNA				
CHECK	CC WANG	10/16/03	FILE NO. E1087-19				
APPRD	FT YANG	10/21/03	PART NO. 77-636007-10				

Twinhead

TOLERANCE UNLESS OTHERWISE SPEC.			
	Metal	Plastic	PCB
0--20	±0.10	±0.10	±0.10
20--99	±0.15	±0.15	±0.15
100--199	±0.20	±0.25	±0.20
200-----	±0.25	±0.30	±0.25



SCALE 0.500

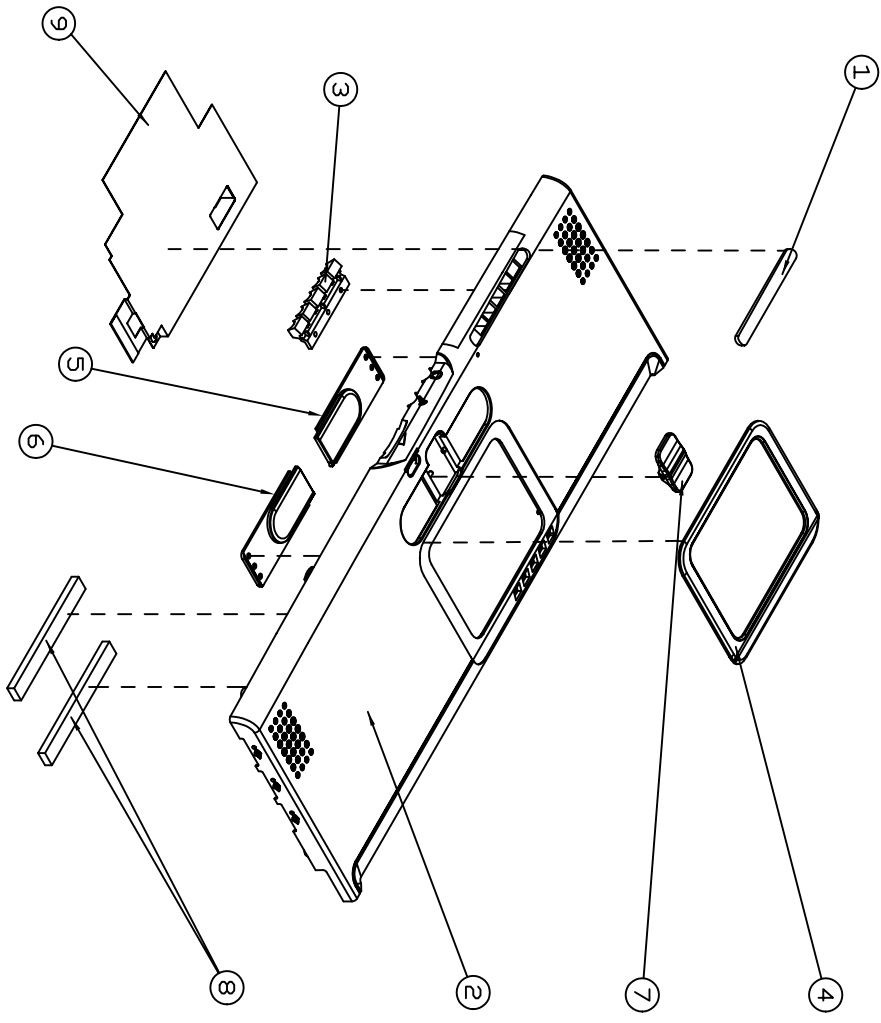
9	40-008000-11	AL FOIL FOR PALMREST	1	D4835
8	51-036040-00	N222S1 HDD SPONGE 6*3*55	2	D4687
7	50-040233-00	D212A SCROLL BUTTON #8735	1	C3715
6	50-040232-10	D212A TOUCH PAD BUTTON R #8735	1	C3714
5	50-040231-10	D212A TOUCH PAD BUTTON L #8735	1	C3713
4	50-000252-10	D212A INDICATOR LENS BLACK	1	C3789
3	50-025140-00	P22AU POWER LENS	1	E4488
2	50-000250-50	D212A PALMREST #8735	1	B1288
1	50-000181-40	D212A POWER LENS PLATE FOR UNIBLK	1	C3659
ITEM	PART NO	DESCRIPTION	QTY	FILE NO
BOM	66-636010-70	D212A #8735 PALM REST ASS'Y W/D WIRELESS LAN		
	50-963601-70	D212A #8735 PALM REST ASS'Y W/D WIRELESS LAN		

REV.	DATE	DESCRIPTION	CHANGE BY	APPROVAL BY	REMARKS
0	10/06/03	NEW		FT YANG	
					TDC031021-00
					MDI S/N

MAT'L	SEE NOTE	QTY	1	UNITS	MM
FINISH		SCALE	FREE	SHEET	1 of 1
DRAW	JONAS 10/06/03	PRODUCT NAME:	D212A		
DSSN	JONAS 10/16/03	DRAWING NAME:	D212A-#8735 PALM REST ASS'Y W/D WIRELESS LAN		
CHECK	CC WANG 10/20/03	FILE NO.	E1087-20		
APPR	FT YANG 10/21/03	PART NO.	50-963601-70		

Twinhead

TOLERANCE UNLESS OTHERWISE SPEC.			
	Metal	Plastic	PCB
0--20	±0.10	±0.10	±0.10
20--99	±0.15	±0.15	±0.15
100--199	±0.20	±0.25	±0.20
200-----	±0.25	±0.30	±0.25



SCALE 0.500

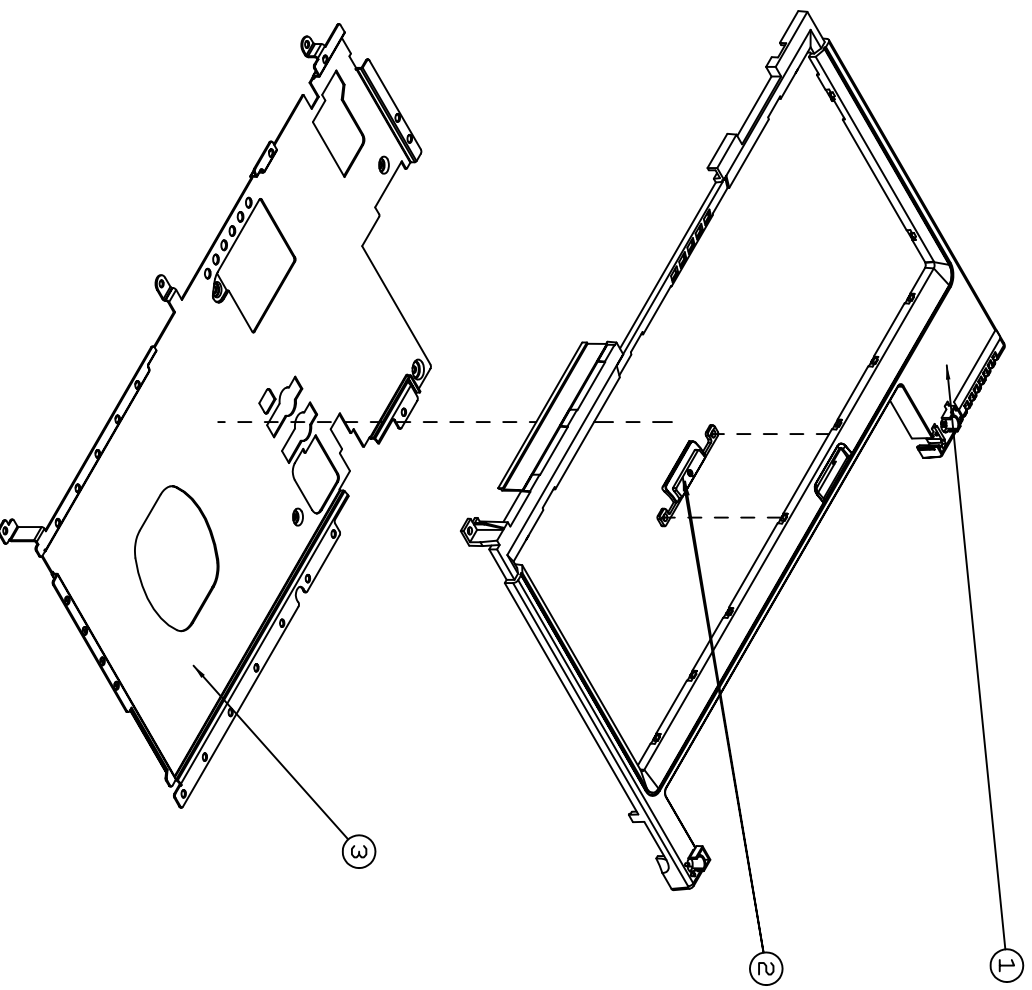
9	40-008000-11	AL FOL L FOR PALMREST	1	D4835
8	51-036040-00	N222SI HDD SPONGE 6*3*55mm	2	D4687
7	50-040233-00	D212A SCROLL BUTTON #8735	1	C3715
6	50-040232-10	D212A TOUCH PAD BUTTON R #8735	1	C3714
5	50-040231-10	D212A TOUCH PAD BUTTON L #8735	1	C3713
4	50-000252-10	D212A INDICATOR LENS BLACK	1	C3789
3	50-025140-00	P22AU POWER LENS	1	E4488
2	50-000250-31	D212A PALMREST W/WIRELESS #8735	1	B1288
1	50-000181-40	D212A POWER LENS PLATE FOR UNIBOX	1	C3659
ITEM	PART NO	DESCRIPTION	QTY	FILE NO
BOM	66-636010-60	D212A #8735 PALM REST ASSY W/WIRELESS LAN		
	50-963601-60	D212A #8735 PALM REST ASSY W/WIRELESS LAN		

REV.	DATE	DESCRIPTION	CHANGE BY	APPROVAL BY	REMARKS
0	10/06/03	NEW		FT YANG	
					TDC031021-00
					MDI S/N

MAT'L	SEE NOTE	QTY	1	UNITS	MM	SHEET	1 of 1
FINISH		SCALE	FREE				
DRAW	JONAS	10/06/03	PRODUCT NAME:	D212A			
DSGN	JONAS	10/16/03	DRAWING NAME:	D212A-#8735 PALM REST ASSY W/WIRELESS LAN			
CHECK	CC WANG	10/20/03					
APPR	FT YANG	10/21/03					
FILE NO.		E1087-21					
PART NO.		50-963601-60					

Twinhead

TOLERANCE UNLESS OTHERWISE SPEC.			
	Metal	Plastic	PCB
0--20	±0.10	±0.10	±0.10
20--99	±0.15	±0.15	±0.15
100--199	±0.20	±0.25	±0.20
200-----	±0.25	±0.30	±0.25



SCALE 0.500

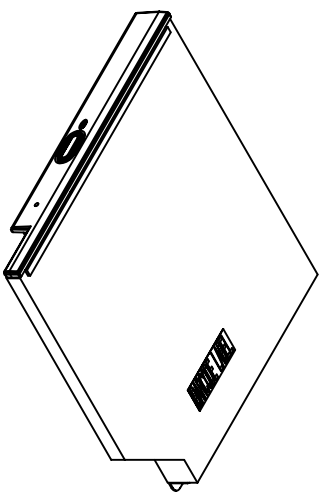
ITEM	P/N	DESCRIPTION	QTY	DRAW NO
3	40-030533-11	P22AJ_K/B BRACKET	1	B1253
2	50-040234-10	D212A-POWER-BUTTON #8735	1	C3716
1	50-031190-00	D212A-UPPER-COVER #8735	1	B1289
BOM	66-636010-50	D212A-#8735 UPPER COVER ASS'Y		
	50-963601-50	D212A-#8735 UPPER COVER ASS'Y		

REV.	DATE	DESCRIPTION	CHANGE BY	APPROVAL BY	REMARKS
0	10/06/'03	NEW		FT YANG	TDC031021-00

MAT'L	SEE NOTE	QTY	1	UNITS	MM	SHEET	1 of 1
FINISH		SCALE	FREE				
DRAW	RAYMEND	10/06/'03	PRODUCT NAME: D212A				
DSGN	JONNAS	10/16/'03	DRAWING NAME: D212A-#8735 UPPER COVER ASS'Y				
CHECK	CC WANG	10/20/03	FILE NO. E1087-22				
APPRD	FT YANG	10/21/03	PART NO. 50-963601-50				

Twinhead

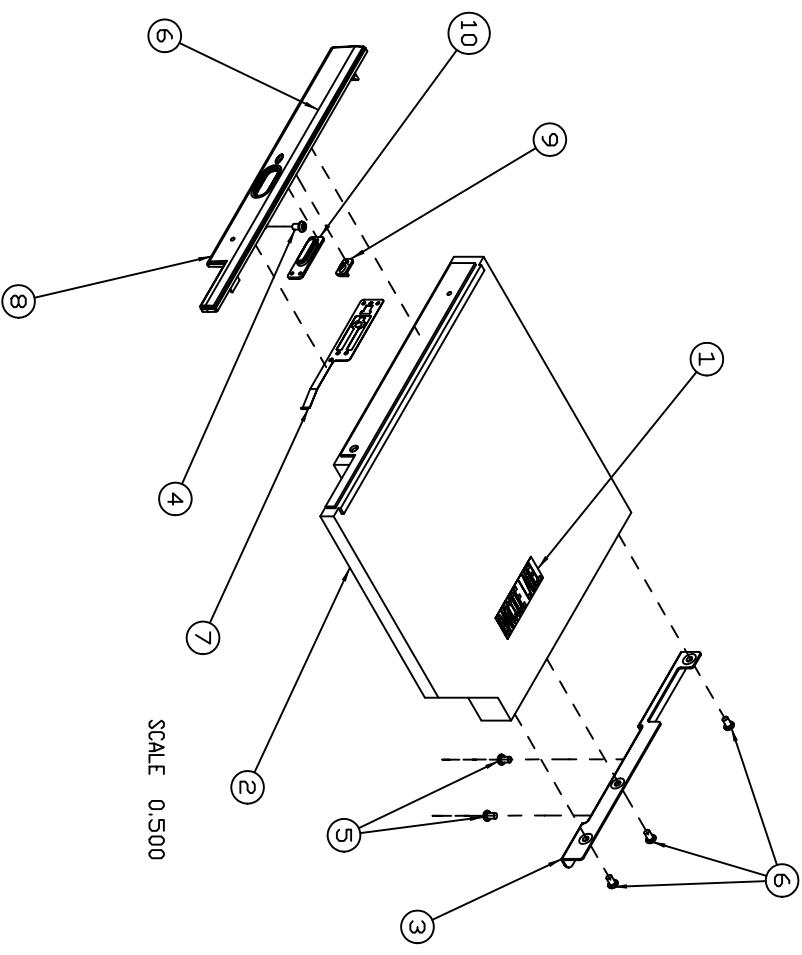
TOLERANCE UNLESS OTHERWISE SPEC.			
	Metal	Plastic	PCB
0--20	±0.10	±0.10	±0.10
20--99	±0.15	±0.15	±0.15
100--199	±0.20	±0.25	±0.20
200-----	±0.25	±0.30	±0.25



SCALE 0.5000

10	50-040723-50	D212A PUSH BUTTON QUANTA #8735	1	D4684
9	50-025013-00	N222S1 CD ROM LED LENS FOR QUANTA	1	D4683
8	50-022151-80	D212A CD ROM BEZEL FOR QUANTA #8735	1	C3353
7	40-011950-00	N222S1 CD ROM SPRING PLATE QUANTA	1	D4833
BOM	66-636010-40	D212A #8735 CD ROM BEZEL ASS'Y QUANTA		
	50-963601-40	D212A #8735 CD ROM BEZEL ASS'Y QUANTA		
6	41-721520-03	SCREW ISDT-M2*3L-SELF-LOCKING	3	B4424
5	41-721520-03	SCREW ISDT-M2*3L-SELF-LOCKING	2	B4424
4	41-650217-03	SCREW-BTB-1.7*3L-BLACK	1	B3518
3	40-030692-00	N222S1-CD-ROM BRACKET	1	D4543
BOM	77-636008-10	D212A #8735 24X CD ROM KIT FOR QUANTA		
2	70-130095-06	CD ROM 24X 128*12.7*129 PCB V.05 CTC8	1	
1	63-250190-00	KEY PARTS BARCODE LABEL	1	KL1826
ITEM	P/N	DESCRIPTION	QTY	DRAW NO
BOM	86-636008-40	#8735 QSI 24X CD ROM ASS'Y D212A		

SCALE 0.5000

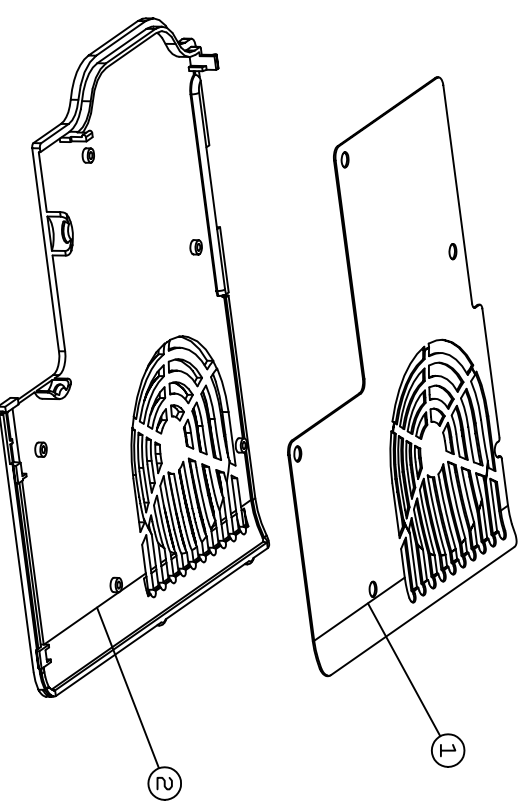


REV.	DATE	DESCRIPTION	CHANGE BY	APPROVAL BY	REMARKS
0	10/06/03	NEW		FT YANG	TDC031021-00

MAT'L		QTY.	1	UNITS	MM	SHEET	1 of 1
FINISH		SCALE	FREE				
DRAW	RAYMEND	10/06/03					
DSGN	JONAS	10/08/03					
CHECK	CC WANG	10/21/03					
APPR	FT YANG	10/21/03					
DRAWING NAME:		D212A					
DRAWING NAME:		#8735 QSI 24X CD ROM ASS'Y					
FILE NO.	E1087-23						
PART NO.	86-636008-40						

Twinhead

TOLERANCE UNLESS OTHERWISE SPEC.			
	Metal	Plastic	PCB
0--20	±0.10	±0.10	±0.10
20--99	±0.15	±0.15	±0.15
100--199	±0.20	±0.25	±0.20
200-----	±0.25	±0.30	±0.25



SCALE 1.000

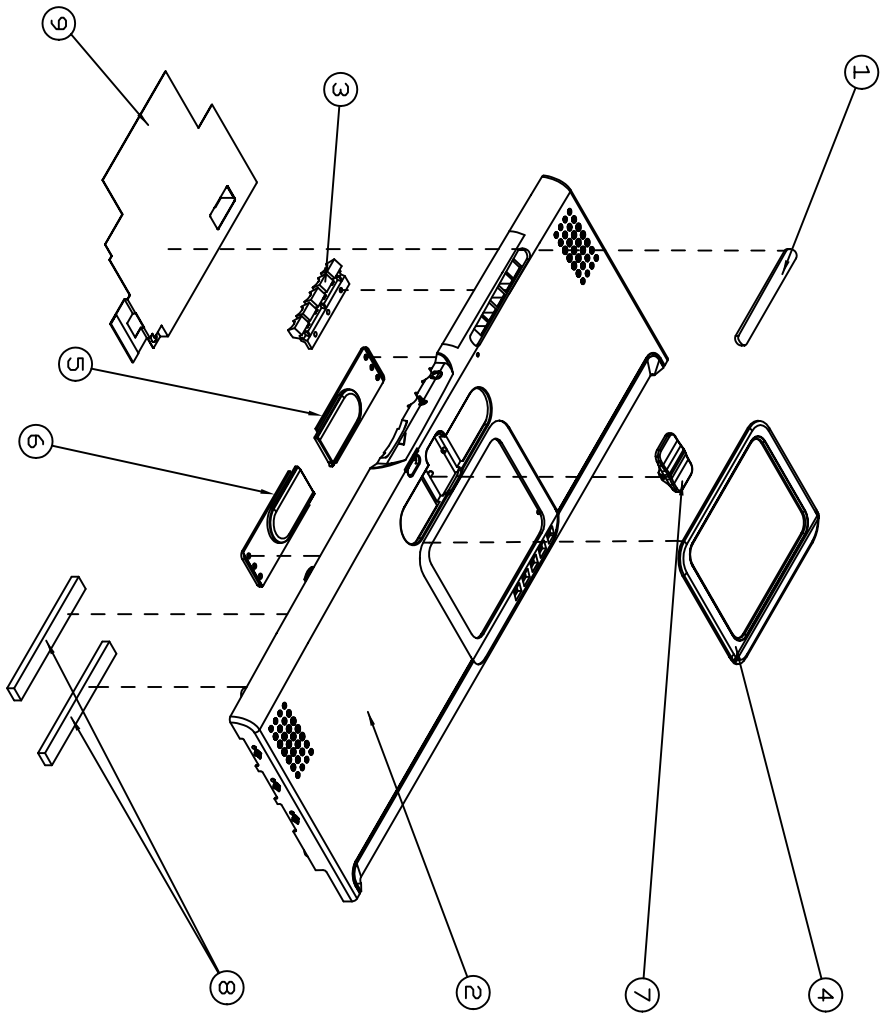
ITEM	P/N	DESCRIPTION	QTY	DRAW NO
2	50-022153-90	D212A CPU DOOR FOR UNIBOK #8735	1	C3376
1	40-001263-00	N22S1-CPU SHIELDING	1	C3445
BOM	66-636010-80	D212A #8735 CPU DOOR ASS'Y		
	50-963601-80	D212A #8735 CPU DOOR ASS'Y		

REV.	DATE	DESCRIPTION	CHANGE BY	APPROVAL BY	REMARKS
0	08/25/03	NEW		F T YANG	TDC030827-01 MDI S/N

MAT'L	SEE NOTE	QTY.	1	UNITS	MM	SHEET	1 of 1
FINISH		SCALE	1/1				
DRAW	RAYMEND 08/25/03	PRODUCT NAME:	D212A				
DSGN	RAYMEND 08/25/03	DRAWING NAME:	CPU DOOR ASS'Y				
CHECK	CC WANG 08/25/03	FILE NO.	E1087-24				
APPRD	FT YANG 08/26/03	PART NO.	50-963601-80				

Twinhead

TOLERANCE UNLESS OTHERWISE SPEC.			
	Metal	Plastic	PCB
0--20	±0.10	±0.10	±0.10
20--99	±0.15	±0.15	±0.15
100--199	±0.20	±0.25	±0.20
200-----	±0.25	±0.30	±0.25



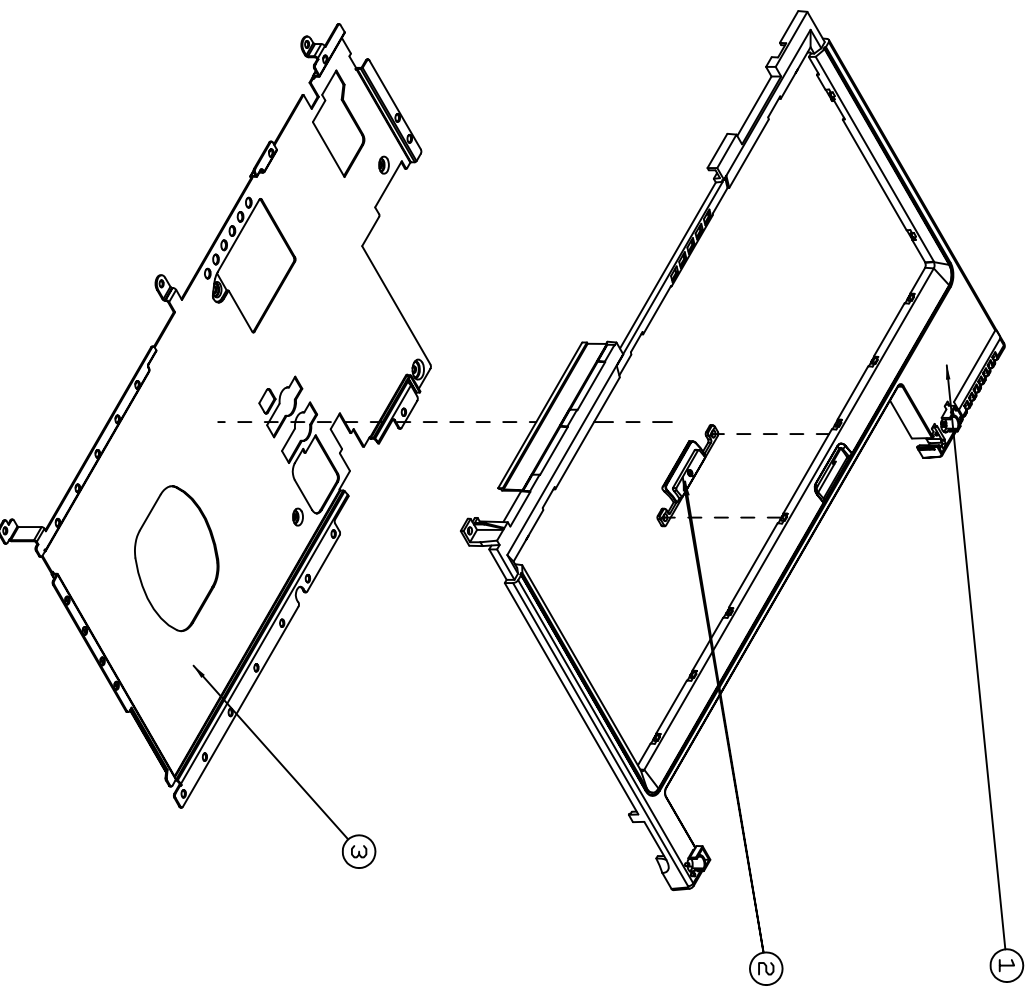
SCALE 0.500

ITEM	PART NO	DESCRIPTION	QTY	FILE NO
9	40-008000-11	AL FOIL FOR PALMREST	1	D4835
8	51-036040-00	N22S1 HDD SPONGE 6*3*55mm	2	D4687
7	50-040233-10	D212A SCROLL BUTTON #8801	1	C3715
6	50-040232-00	D212A TOUCH PAD BUTTON R #8525	1	C3714
5	50-040231-00	D212A TOUCH PAD BUTTON L #8525	1	C3713
4	50-000252-00	D212A INDICATOR LENS #8525	1	C3789
3	50-025140-00	P22AU POWER LENS	1	E4488
2	50-000250-21	D212A PALMREST V/WIRELESS #8028/8525	1	B1288
1	50-000181-20	D212A POWER LENS PLATE #8028	1	C3659
BOM	66-636010-20	D212A #8028/8525 PALM REST ASSY V/WIRELESS LAN		
	50-963601-20	D212A #8028/8525 PALM REST ASSY V/WIRELESS LAN		

REV.	DATE	DESCRIPTION	CHANGE BY	APPROVAL BY	REMARKS
0	10/06/03	NEW		FT YANG	
					TDC031021-00
					MDI S/N

MAT'L	SEE NOTE	QTY	1	UNITS	MM	SHEET	1 of 1
FINISH		SCALE	FREE				
DRAW	JONAS	10/06/03		PRODUCT NAME:	D212A		
DSGN	JONAS	10/16/03		DRAWING NAME:	D212A-#8028 PALM REST ASSY V/WIRELESS LAN		
CHECK	CC WANG	10/20/03					
APPR	FT YANG	10/21/03					
Twinhead		FILE NO.	E1087-25				
		PART NO.	50-963601-20				

TOLERANCE UNLESS OTHERWISE SPEC.			
	Metal	Plastic	PCB
0--20	±0.10	±0.10	±0.10
20--99	±0.15	±0.15	±0.15
100--199	±0.20	±0.25	±0.20
200-----	±0.25	±0.30	±0.25



SCALE 0.500

ITEM	P/N	DESCRIPTION	QTY	DRAW NO
3	40-030533-11	P22A_U_K/B BRACKET	1	B1253
2	50-040234-00	D212A-POWER-BUTTON #8801	1	C3716
1	50-031190-10	D212A-UPPER-COVER #8028/8525	1	B1289
BOM	66-636010-00	D212A-#8028/8525 UPPER COVER ASSY		
	50-963601-00	D212A-#8028/8525 UPPER COVER ASSY		

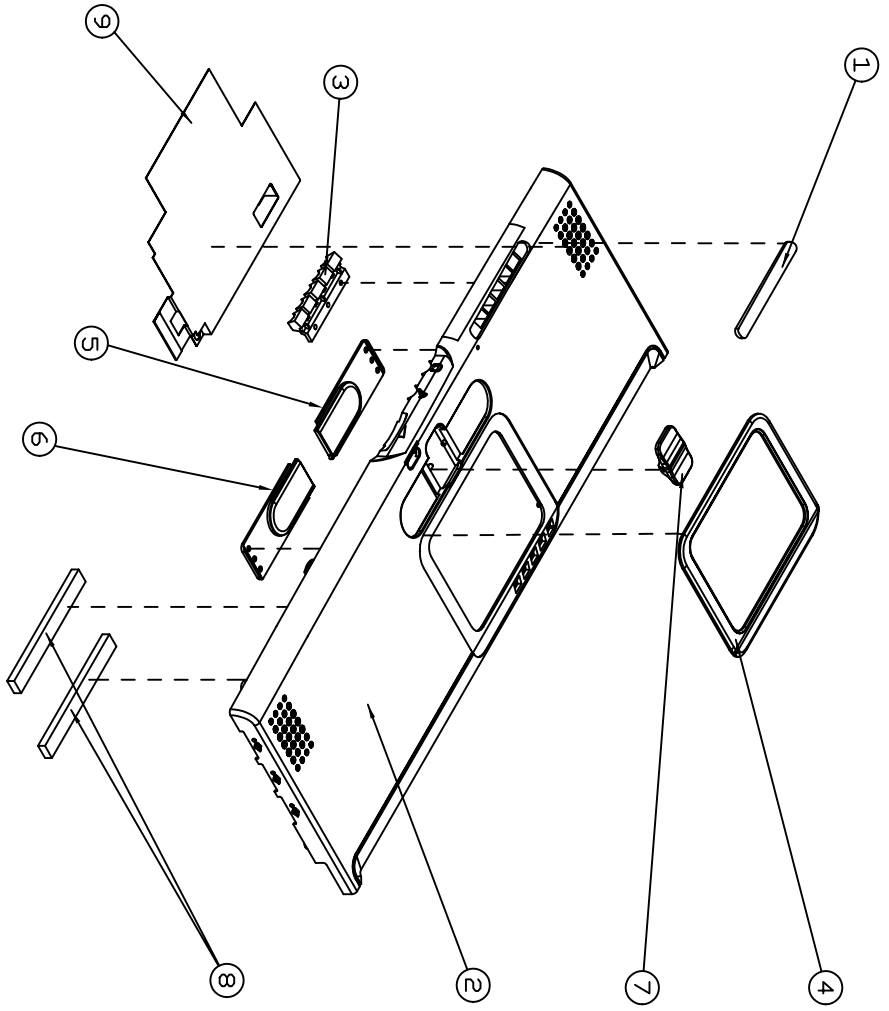
REV.	DATE	DESCRIPTION	CHANGE BY	APPROVAL BY	REMARKS
0	10/06/'03	NEW		FT YANG	TDC031021-00

MAT'L	SEE NOTE	QTY	1	UNITS	MM	SHEET	1 of 1
FINISH		SCALE	FREE	DRAWING NAME: D212A			
DRAW	RAYMEND	10/06/'03	PRODUCT NAME: D212A				
DSGN	JONNAS	10/16/'03	DRAWING NAME: D212A-#8028 UPPER COVER ASSY				
CHECK	CC WANG	10/16/03	DRAWING NAME: D212A-#8028 UPPER COVER ASSY				
APPRD	FT YANG	10/21/03	DRAWING NAME: D212A-#8028 UPPER COVER ASSY				

Twinhead

FILE NO.	E1087-26
PART NO.	50-963601-00

TOLERANCE UNLESS OTHERWISE SPEC.			
	Metal	Plastic	PCB
0--20	±0.10	±0.10	±0.10
20--99	±0.15	±0.15	±0.15
100--199	±0.20	±0.25	±0.20
200-----	±0.25	±0.30	±0.25



SCALE 0.500

9	40-008000-11	AL FOIL FOR PALMREST	1	D4835
8	51-036040-00	N22S1 HDD SPNGE 6*3*55	2	D4687
7	50-040233-10	D212A SCROLL BUTTON #8801	1	C3715
6	50-040232-00	D212A TOUCH PAD BUTTON R #8525	1	C3714
5	50-040231-00	D212A TOUCH PAD BUTTON L #8525	1	C3713
4	50-000252-00	D212A INDICATOR LENS #8525	1	C3789
3	50-025140-00	P22AU POWER LENS	1	E4488
2	50-000250-40	D212A PALMREST-W/D WIRELESS #8028/8525	1	B1288
1	50-000181-10	D212A POWER LENS PLATE #8028	1	C3659
ITEM	PART NO	DESCRIPTION	QTY/FILE NO	
BOM	66-636010-10	D212A #8028/8525 PALM REST ASSY W/D WIRELESS LAN		
	50-963601-10	D212A #8028/8525 PALM REST ASSY W/D WIRELESS LAN		

REV.	DATE	DESCRIPTION	CHANGE BY	APPROVAL BY	REMARKS
0	10/06/'03	NEW		FT YANG	TDC031021-00
					MDI S/N

MAT'L	SEE NOTE	QTY	1	UNITS	MM	SHEET	1 of 1
FINISH		SCALE	FREE				
DRAW	JONAS 10/06/'03	PRODUCT NAME	D212A				
DSSN	JONAS 10/16/'03	DRAWING NAME	D212A-#8028 PALM REST ASSY W/D WIRELESS LAN				
CHECK	CC WANG 10/20/03						
APPR	FT YANG 10/21/03						
Twinhead		FILE NO.	E1087-27				
		PART NO.	50-963601-10				



Taipei (Headquarters)
Twinhead International Corporation

10F, 550, Rueiguang Road,
Neihu, Taipei, 114, Taiwan, R.O.C.
Tel : 886-2-5589-9999
Fax: 886-2-5555-7777

China
Beijing Twinhead Technology Ltd.

M6, 5F, N0.1, Jiuxianqiao East Road,
Chaoyang District, Beijing, China, 100016
Tel : 86-10-6434-6911
Fax: 86-10-6434-7896

U.S.A.
Twinhead Corporation

48303 Fremont Blvd.
Fremont, CA94538, U.S.A.
Tel : 1-510-492-0828
Fax: 1-510-492-0838

Germany
Twinhead GmbH.

Kaiserswerther Strasse 85E,
40878 Ratingen, B.R.D. Germany
Tel : 49-2102-45240
Fax: 49-2102-452420

U.K.
Twinhead (Europe) Ltd

Unit 6, Ringway Estate,
Edison Road, Basingstoke,
Hants. RG21 6YH, U.K.
Tel : 44-1256-300300
Fax: 44-1256-300345